

0CS10-M56000EN

PREFACE

1. This parts catalog is the first edition of Yanmar Rubber Crawler Carrier C50R-3B.

2. Parts catalog history

	Parts catalog No.	Date of issue	Model No	Remarks
First edition	(Vehicle) OCS10-@56000	June, 2010	1	
	(Engine) OCD10-@89500		1	

3. Model name

SECTION	Column	Model name	Manufactured	M / #	Remarks
I (Vehicle)	A	C50R-3B		45501 ~	
II (Engine)	A	4TNV106-NTB1			

4. This parts catalog does not contain the technical data needed for maintenance service.

The illustrations used in this parts catalog have been simplified for clarity.

The contents of this parts catalog are subject to change without notice.

Be sure to use only Yanmar genuine parts for repairs. If imitation parts are used, it may cause engine defects.

Directions for the Parts Catalog.

1. The parts stipulated in this Parts Catalog are not necessarily standard equipped parts.
2. Parts may change without prior notice.
3. The following is an example of the Parts Catalog format.

REF.	LEV.	PARTS NO.	DESCRIPTION	Q'TY						I	R
				(A)	(B)	(C)	(D)	(E)	(F)		
1	1	729595-51390	FUEL INJECTION PUMP	1	1	1	1	1			1
1-1	1	729595-51391	FUEL INJECTION PUMP	1	1	1	1	1		N	1
		(A=E00185) (B=E00200)									
3	2	26022-060162	SCREW M 6X 16	9	9	9	9	9			
3-1	2	26022-060162	SCREW M 6X 16	4	4	4	4	4		K	
		(A=E00156) (B=E00156) (C=E00156) (D=E00156) (E=E00156)									
4	2	129470-51040	CAMSHAFT	1	1	1	1	1			
5	2	122710-51050	BEARING, ROLLER	2	2	2	2	2			
6	2	129470-51060	RETAINER	1	1	1	1	1			

Remarks
(1) BOOST COMPEMSATOR TYPE. OPTIONAL PART, TO E00155,(4JH-DT, 4JH-DTZ

① Ref. No.

The Ref. No. listed may not be in accordance with the illustration Ref. No.

(Ex.) Illustration No.

List Ref No.

1

1

(Before change)

1-1

(After change)

For interchangeable symbols N, R and K, illustrations for new parts may be abbreviated.

② Lev. (Level)

Level indication

The numbers below indicate the level of relativity towards the main part.

1 ----- Main parts (Assembly parts)

2 ----- Sub component included in " 1 ".

3 ----- Sub component included in " 2 ".

Note) Parts that are not for sale are partially illustrated but not listed.

③ Interchangeability Mark

When a part change takes place, one of the following interchangeability symbols is indicated beside the part.

Symbol	Interchangeability	Contents note
N	Old $\begin{matrix} \leftarrow \text{Yes} \\ \text{No} \rightarrow \end{matrix}$ New	New Part is interchangeable for Old Part but Old Part is not interchangeable for New Part.
Q	Old $\begin{matrix} \leftarrow \text{No} \\ \text{Yes} \rightarrow \end{matrix}$ New	New Part is not interchangeable for Old Part but Old Part is interchangeable for New Part.
R	Old $\begin{matrix} \leftarrow \text{Yes} \\ \text{Yes} \rightarrow \end{matrix}$ New	New/ Old Parts are both interchangeable.
S	Old $\begin{matrix} \leftarrow \text{No} \\ \text{No} \rightarrow \end{matrix}$ New	New/ Old Parts are both not interchangeable.
W		Part newly added.
Z		Part discontinued.
F		Not interchangeable by a single part but interchangeable together with related parts.
K		Changes only for used parts quantities.

④ Effective Machine No.

When a part changes, the effective Machine No. will be indicated in the (A)-(F) column.

Product Symbol	Product No.	Product Symbol	Product No.
C	Clutch No. Compressor No.	F	Machine No. (Agricultural Equip.)
D	Drive No.	M	Machine No.
E	Engine No.		

Note 1) A date may follow the symbol. (Ex.) 1996.01

Note 2) "XXXXX" and "ZZZZZ" are for parts that could not be predicted or for engine models that could not be identified.

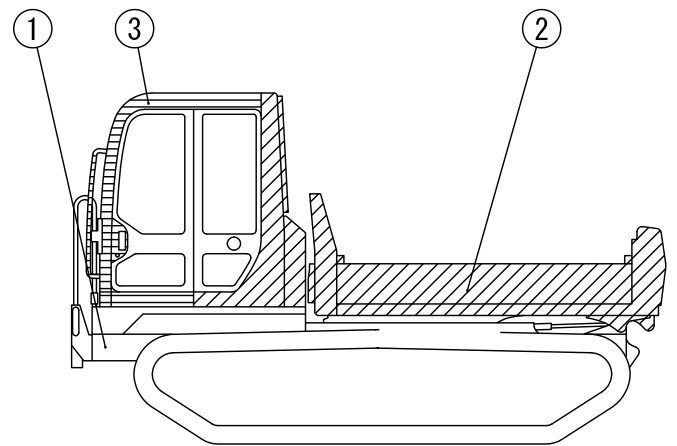
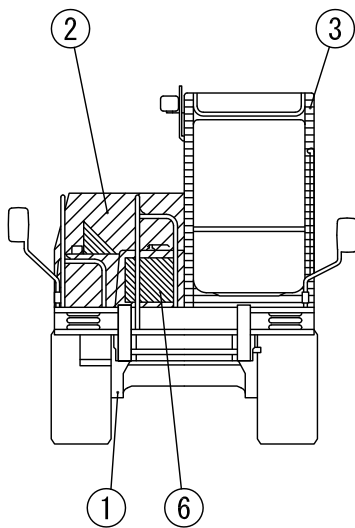
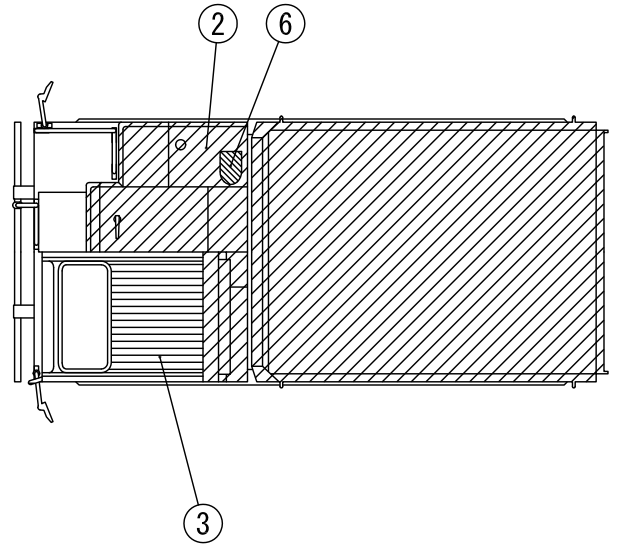
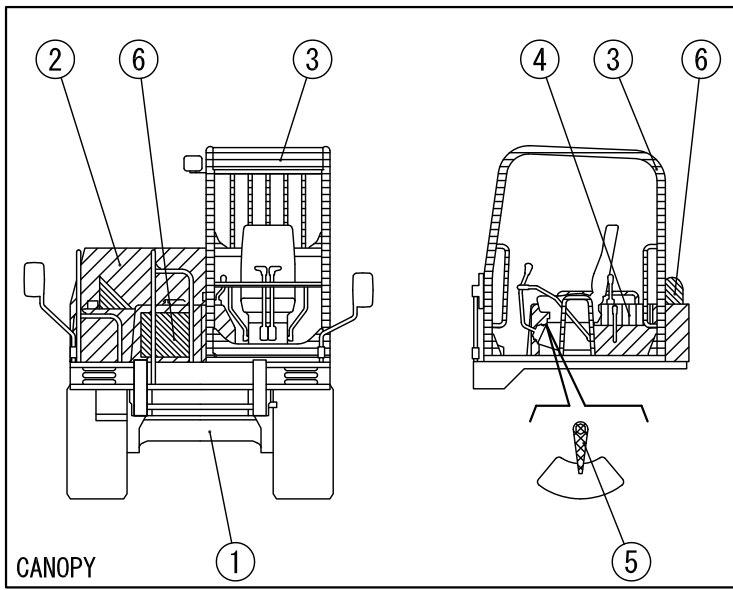
Note 3) (A=E00185) is the E (Engine Serial Number) for the column (A) model (in this case 4JH-DT) after the parts design change.

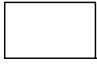
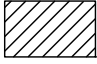



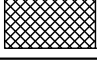

⑤ Remarks Mark

Figures or alphabets (symbols) are entered in the remarks column.

The comments (remarks) on parts that are indicated at the bottom of the illustration are the same symbols as those stated above.

1 [PAINTED COLOR LIST]



PART	DESCRIPTION	PAINTED COLOR	COLOR CODE	M/#
①		YANMAR NAVY GRAY	49	
②		YANMAR NEW PERMANENT YELLOW	87	45501~45629
②		YANMAR NEW PERMANENT YELLOW 2	2J	45630~
③		YANMAR GRAYISH GREEN	83	
④		YANMAR DARK OLIVE GRAY	72	
⑤		YANMAR RED 1	50	
⑥		YANMAR BLACK	12	

2 [PAINT PART No.]

PART	PAINTED COLOR	PAINT PART No.		
		16ℓCAN	4ℓCAN	SPRAY
①	YANMAR NAVY GRAY	-----	TOR-91390000	TOR-94800490
②	YANMAR NEW PERMANENT YELLOW	981101-09519	977620-40870	977620-30871
②	YANMAR NEW PERMANENT YELLOW 2	981101-09520	977620-40871	977620-30872
③	YANMAR GRAYISH GREEN	981101-09615	977620-40830	977620-30N41
④	YANMAR DARK OLIVE GRAY	-----	977620-40720	TOR-94800720
⑤	YANMAR RED 1	-----	977620-40500	TOR-94800500
⑥	YANMAR BLACK	-----	TOR-91220001	TOR-94800120

3 [COLOR OF MAIN PARTS]

PART	PAINTED COLOR	MAIN PARTS
①	YANMAR NAVY GRAY	FRAME FRONT FRAME CARRIER ROLLER BUMPER
②	YANMAR NEW PERMANENT YELLOW YANMAR NEW PERMANENT YELLOW 2	WAGON FUEL TANK BONNET FRONT COVER
③	YANMAR GRAYISH GREEN	CABIN CANOPY
④	YANMAR DARK OLIVE GRAY	INSTRUMENT PANEL
⑤	YANMAR RED 1	LOCK LEVER
⑥	YANMAR BLACK	RADIATOR GRILL

PICTURESQUE INDEX

LABEL . . . Fig. 69, 70
 TOOL . . . Fig. 71
 PAINTED COLOR . . . Fig. 72, 73

CONTROL BOX . . . Fig. 19
 ENGINE CONTROL . . . Fig. 20
 ELECTRIC PART . . . Fig. 21
 BATTERY . . . Fig. 22
 VESSEL CENTER LAMP . . . Fig. 23

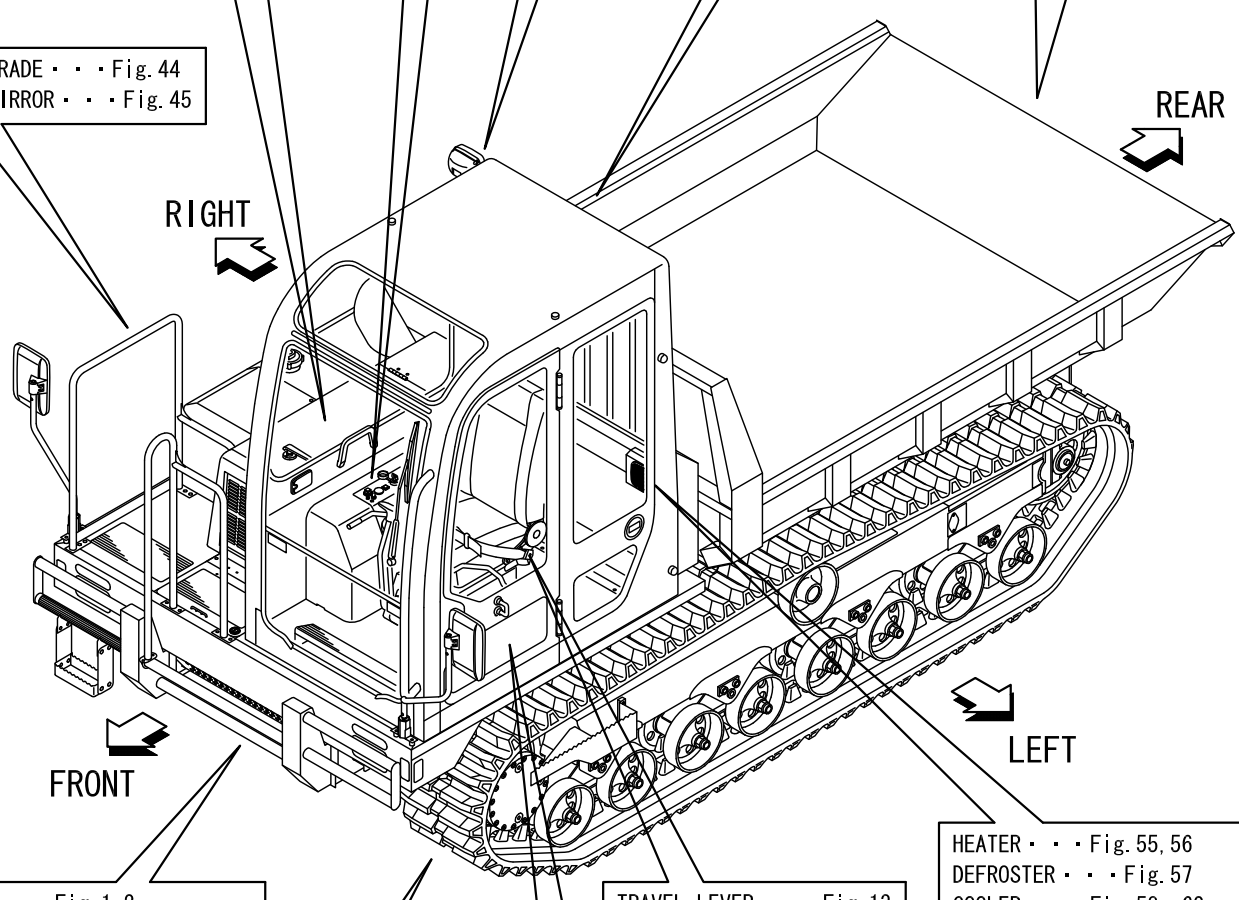
RADIO . . . Fig. 94
 WIND WASHER . . . Fig. 27
 BACK BUZZER . . . Fig. 28
 CABIN . . . Fig. 49~53
 CANOPY . . . Fig. 54

ENGINE & RELATED DEVICE . . . Fig. 16~18
 HYD. OIL TANK . . . Fig. 38, 39
 FUEL OIL TANK . . . Fig. 40
 COVER . . . Fig. 41~43

BACK LIGHT . . . Fig. 25

VESSEL . . . Fig. 64, 65
 DUMP BODY . . . Fig. 66
 REAR LINK . . . Fig. 67
 OPEN AND CLOSE LEVER . . . Fig. 68
 DUMP CYLINDER . . . Fig. 87, 88
 TRUCK SHOE CYLINDER . . . Fig. 89

BALUSTRADE . . . Fig. 44
 BACK MIRROR . . . Fig. 45



FRAME . . . Fig. 1, 2
 TURNING FRAME . . . Fig. 11
 HEAD LIGHT . . . Fig. 24
 TURN SIGNAL LAMP . . . Fig. 26

TRAVEL LEVER . . . Fig. 13
 SEAT . . . Fig. 47, 48

HEATER . . . Fig. 55, 56
 DEFROSTER . . . Fig. 57
 COOLER . . . Fig. 58~62
 COOLER BRACKET . . . Fig. 63

CRAWLER BELT . . . Fig. 3
 CARRIER ROLLER . . . Fig. 4
 TRUCK ROLLER . . . Fig. 5
 IDLER . . . Fig. 6
 TRUCK ADJUSTER . . . Fig. 7
 TRAVEL DEVICE . . . Fig. 8
 TRAVEL MOTOR . . . Fig. 90

TURNING BEARING . . . Fig. 9
 SWIVEL JOINT . . . Fig. 10
 TURNING DEVICE . . . Fig. 12
 TRAVEL LEVER PIPING . . . Fig. 14
 DUMP & TURNING LEVER . . . Fig. 15
 GREASING PIPING . . . Fig. 29
 VALVE . . . Fig. 30, 31
 HYD. OIL PIPING . . . Fig. 32~35
 TURNING DUMP PIPING . . . Fig. 36
 PUMP DRIVING . . . Fig. 37
 FLOOR . . . Fig. 46

CONTROL VALVE . . . Fig. 74, 75
 BLOCK . . . Fig. 76~79
 REMOTE CONTROL VALVE . . . Fig. 80
 AUTO TENSION VALVE . . . Fig. 81
 SOLENOID VALVE . . . Fig. 82, 83
 DEPRESSION VALVE . . . Fig. 84
 SWIVEL SELECTOR . . . Fig. 85
 SWIVEL JOINT . . . Fig. 86
 TURNING MOTOR . . . Fig. 91
 HYD. OIL PUMP . . . Fig. 92
 GEAR PUMP . . . Fig. 93

Contents

Fig. No.	Fig. Name	Fig. No.	Fig. Name
C50R-3B		25.	BACK LIGHT
1.	FRAME	26.	TURN SIGNAL LAMP
2.	FRAME(TURNING)	27.	WIND WASHER
3.	CRAWLER BELT	28.	BACK BUZZER
4.	CARRIER ROLLER	29.	GREASE PIPING
5.	TRUCK ROLLER	30.	VALVE
6.	IDLER	31.	VALVE(TURNING)
7.	TRUCK ADGUSTA	32.	HYD.OIL PIPING(1)
8.	TRAVEL DEVICE	33.	HYD.OIL PIPING(2)
9.	TURNING BEARING	34.	HYD.OIL PIPING(1)(TURNING)
10.	SWIVEL JOINT	35.	HYD.OIL PIPING(2)(TURNING)
11.	TURNING FRAME	36.	TURNING DUMP PIPING
12.	TURNING DEVICE	37.	PUMP DRIVING
13.	TRAVEL LEVER	38.	HYD. OIL TANK
14.	TRAVEL LEVER PIPING	39.	HYD. OIL TANK(TURNING SPEC)
15.	DUMP & TURNING LEVER	40.	FUEL OIL TANK
16.	ENGINE & RELATED DEVICE(1)	41.	COVER(1)
17.	ENGINE & RELATED DEVICE(2)	42.	COVER(2)
18.	ENGINE & RELATED DEVICE(3)	43.	COVER(3)(SIDE COVER:LEFT)
19.	CONTROL BOX	44.	BALUSTRADE
20.	ENGINE CONTROL	45.	BACK MIRROR
21.	ELECTRIC PART	46.	FLOOR
22.	BATTERY	47.	SEAT
23.	VESSEL CENTER LAMP	48.	SEAT(COMPONENT PART)
24.	HEAD LIGHT	49.	CABIN(1)

Contents

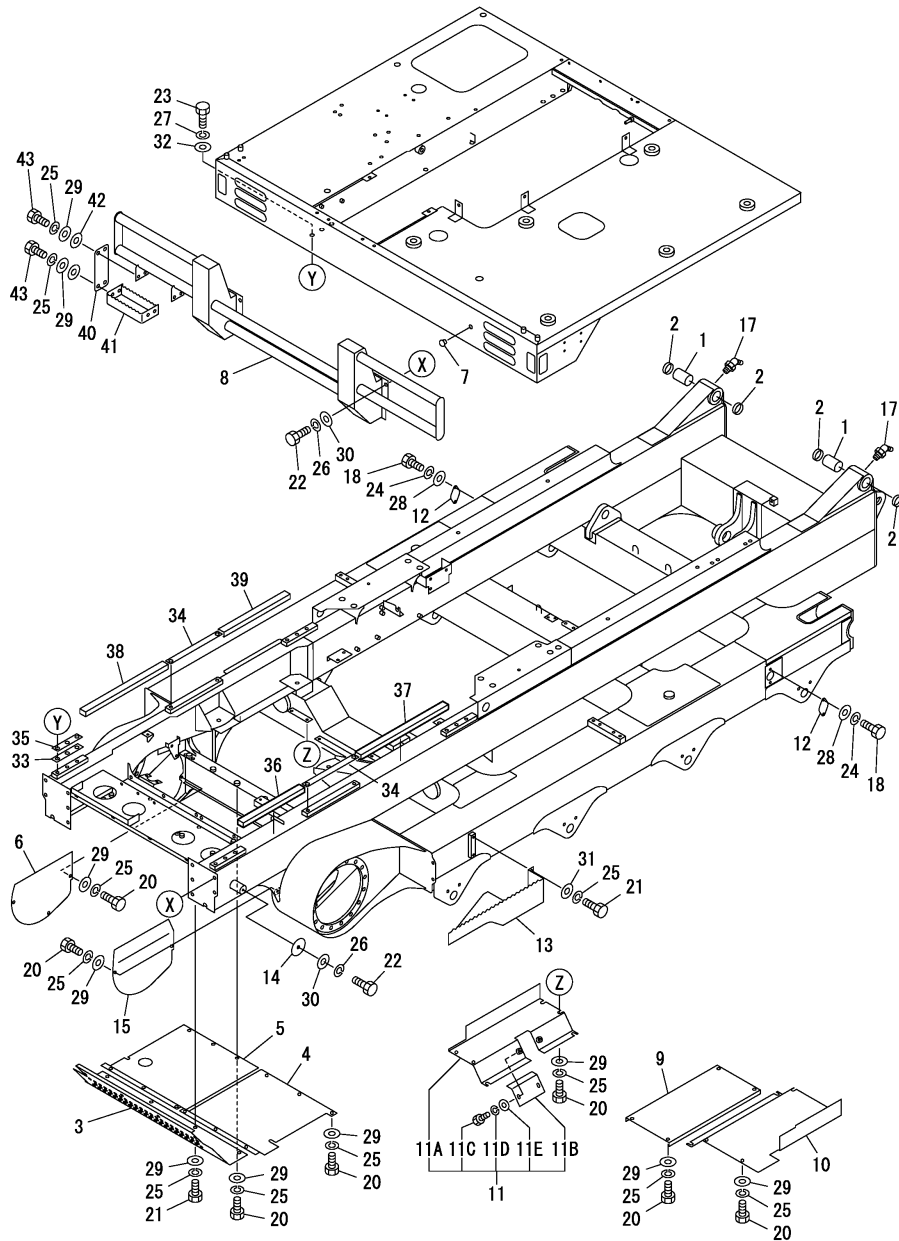
Fig. No. Fig. Name

- 50. CABIN(2)
- 51. CABIN(3)
- 52. CABIN(4)
- 53. CABIN(5)
- 54. CANOPY
- 55. HEATER(1)
- 56. HEATER(2)
- 57. DEFROSTER
- 58. COOLER(1)
- 59. COOLER(2)(COMPRESSOR)
- 60. COOLER(3)(CONDENSER))
- 61. COOLER(41)(COOLER UNIT)
- 62. COOLER(5)(COOLER UNIT)
- 63. COOLER BRACKET
- 64. VESSELL
- 65. VESSELL(TURNING)
- 66. DUMP BODY
- 67. REAR LINK
- 68. OPEN AND CLOSE LEVER
- 69. LABEL
- 70. LABEL
- 71. TOOL
- 72. PAINTED COLOR
- 73. PAINTED COLOR(TURNING)
- 74. CONTROL VALVE(4-RANGE)

Fig. No. Fig. Name

- 75. CONTROL VALVE(2-RANGE)
- 76. BLOCK(1)
- 77. BLOCK(2)
- 78. BLOCK(3)
- 79. BLOCK(4)
- 80. REMOTE CONTROL VALVE
- 81. AUTO TENSION VALVE
- 82. SOLENOID VALVE(1-RANGE)
- 83. SOLENOID VALVE(2-RANGE)
- 84. DEPRESSION VALVE
- 85. SWIVEL SELECTOR
- 86. SWIVEL JOINT
- 87. DUMP CYLINDER
- 88. DUMP CYLINDER(TURNING)
- 89. TRUCK SHOE CYLINDER
- 90. TRAVEL MOTOR
- 91. TURNING MOTOR
- 92. HYD. OIL PUMP
- 93. GEAR PUMP
- 94. RADIO

Fig.1. FRAME



(A)=C50R-3B

(B)=

(C)=

(D)=

(E)=

(F)=

No.	Lev.	Parts No.	Description	Q'ty						I	R
				(A)	(B)	(C)	(D)	(E)	(F)		
1	1	E000240052	BUSH	4							
2	1	E1432200040	SEAL, DUST	4							
3	1	E0871108603	COVER	1							
4	1	E0874101004	COVER	1							
5	1	E0871107505	COVER	1							
6	1	E0871108606	COVER, MOTOR	1							
7	1	E1652533023	CAP	1							
8	1	E0871108620	BUMPER	1							
9	1	E0874100009	COVER, OIL SUMP	1							
10	1	E0874102020	COVER	1							
11	1	E0874102010	COVER	1							
11A	2	E0874102011	COVER	1							
11B	2	E0874102012	COVER	1							
11C	2	E1100040820	BOLT M 8X 20	2							
11D	2	E1140020008	SPRING WASHER 8	2							
11E	2	E1141110008	WASHER 8	2							
12	1	E0872106340	COVER	2							
13	1	E0871108630	STEP	1							
14	1	E0871108614	PLATE	2							
15	1	E0874101016	COVER, MOTOR	1							
17	1	E1560001675	NIPPLE, GREASE	2							
18	1	E1100040814	BOLT M8X14	4							
20	1	E1100041020	BOLT M10X 20	28							
21	1	E1100041025	BOLT M10X 25	14							
22	1	E1100041225	BOLT M12X25	12							
23	1	E1100041430	BOLT	1							1
23A	1	E1100041435	BOLT M14X 35	1							1
24	1	E1140020008	SPRING WASHER 8	4							
25	1	E1140020010	SPRING WASHER 10	50							
26	1	E1140020012	SPRING WASHER 12	12							
27	1	E1140020014	SPRING WASHER 14	16							
28	1	E1141110008	WASHER 8	4							
29	1	E1141110010	WASHER 10	46							
30	1	E1141110012	WASHER 12	12							
31	1	E1141550010	WASHER, M10	4							
32	1	E1141550014	WASHER	16							
33	1	E0874100400	SHIM, T=1.0	1							1
33A	1	E0874100401	SHIM, T=1.6	1							1
33B	1	E0874100402	SHIM, T=2.3	1							1
33C	1	E0874100403	SHIM, T=4.5	1							1
33D	1	E0874100404	SHIM, T=1.0	1							1
33E	1	E0874100405	SHIM, T=1.6	1							1
33F	1	E0874100406	SHIM, T=2.3	1							1
33G	1	E0874100407	SHIM, T=4.5	1							1
34	1	E0871108634	PLATE	1							
35	1	E0874100420	WASHER	1							
36	1	E0871107619	SPONGE	1							
37	1	E0871107620	SPONGE	1							
38	1	E0871108638	SPONGE	1							
39	1	E0874100040	SPONGE	1							
40	1	E0872108110	HANGER,STEP	2							

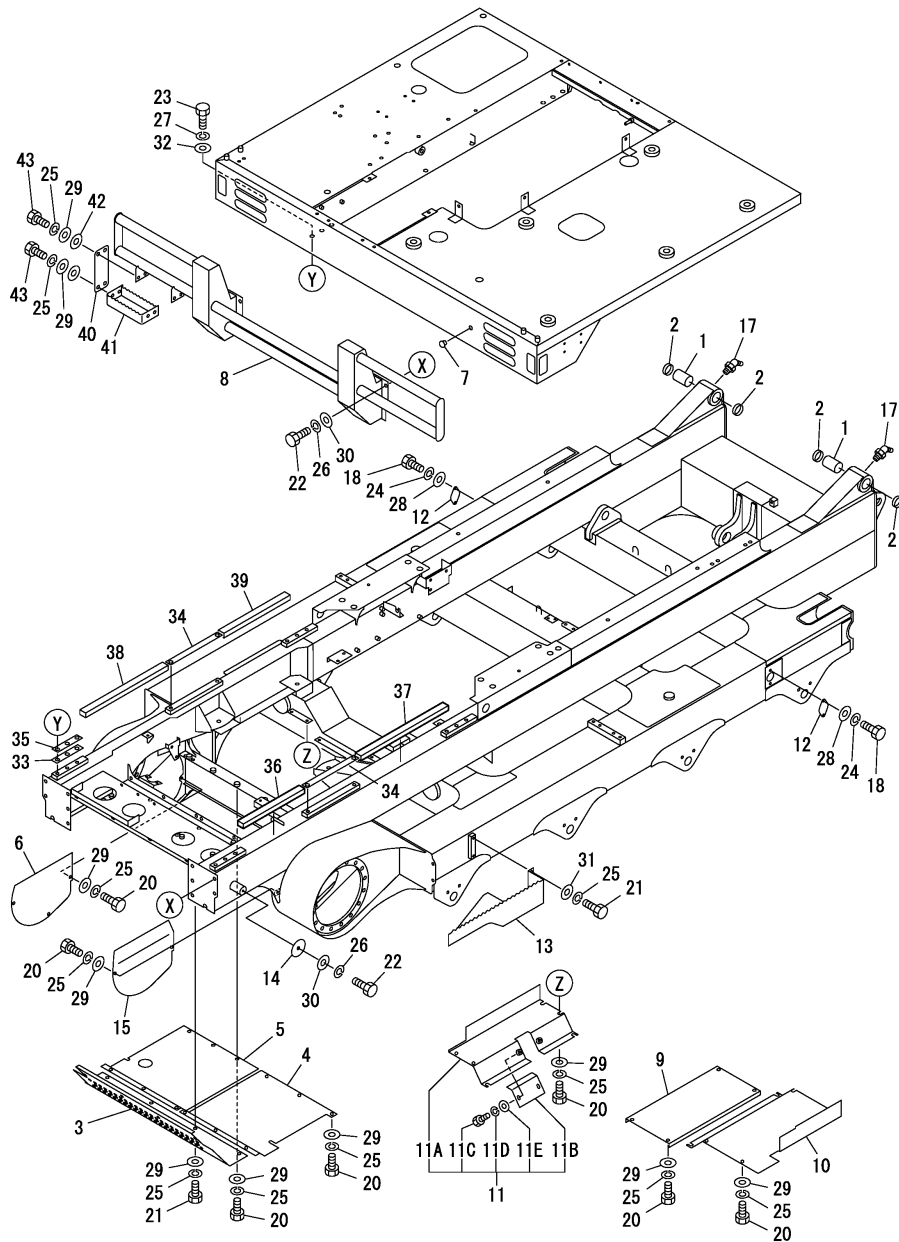
Remarks

(1)SELECTION USE PARTS.

N:Old $\begin{matrix} \leftarrow \text{Yes} \\ \text{No} \end{matrix}$ New, Q:Old $\begin{matrix} \leftarrow \text{No} \\ \text{Yes} \end{matrix}$ New, R:Old $\begin{matrix} \leftarrow \text{Yes} \\ \text{No} \end{matrix}$ New, S:Old $\begin{matrix} \leftarrow \text{No} \\ \text{Yes} \end{matrix}$ New, W:Add, Z:Discontinued, F:Interchangeable by set, K:Q'ty Change

++ CONTINUE ++

Fig.1. FRAME



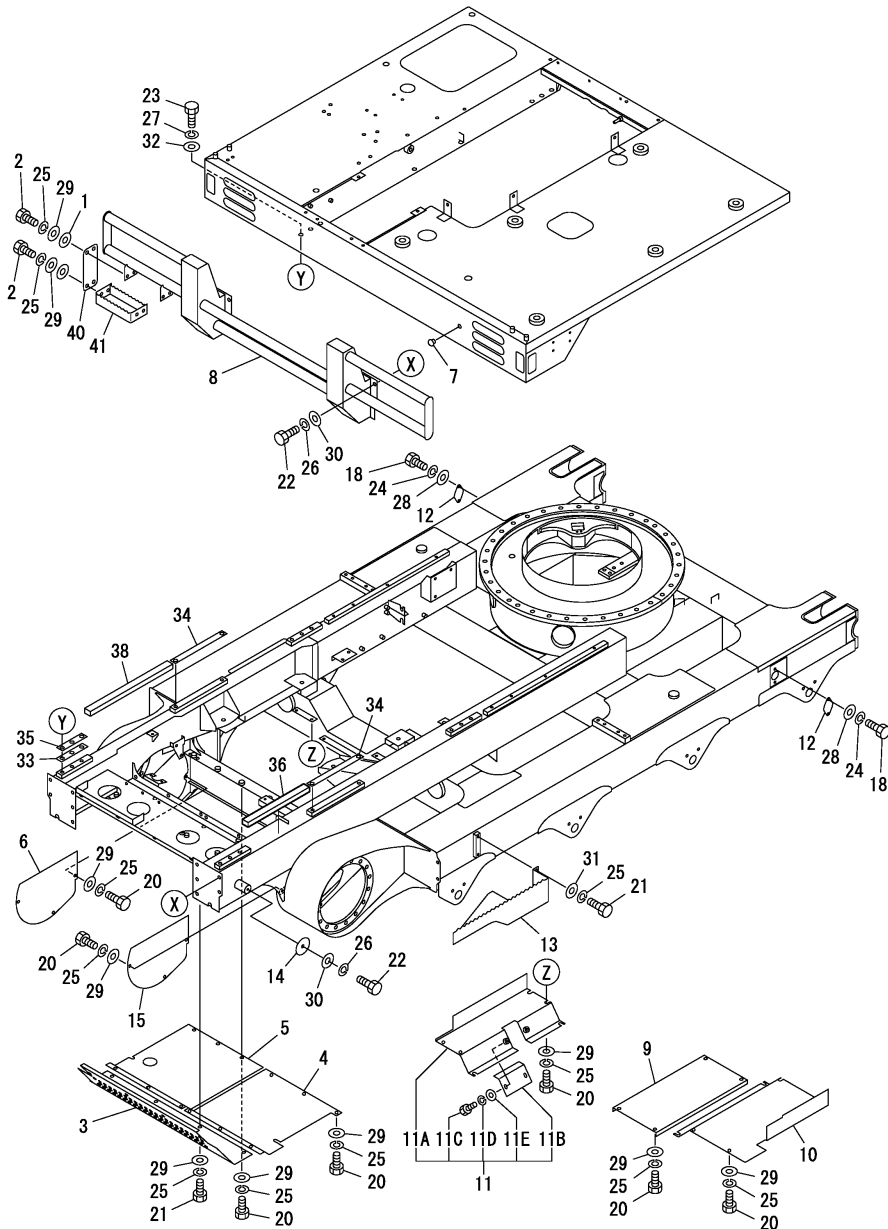
(A)=C50R-3B
(B)=
(C)=

(D)=
(E)=
(F)=

No.	Lev.	Parts No.	Description	Q'ty						I	R
				(A)	(B)	(C)	(D)	(E)	(F)		
41	1	E0872107070	STEP	1							
42	1	E0003612004	WASHER	8							
43	1	E1100041030	BOLT M10X30	8							

Remarks
(1)SELECTION USE PARTS.

Fig.2. FRAME(TURNING)



(A)=C50R-3B

(B)=

(C)=

(D)=

(E)=

(F)=

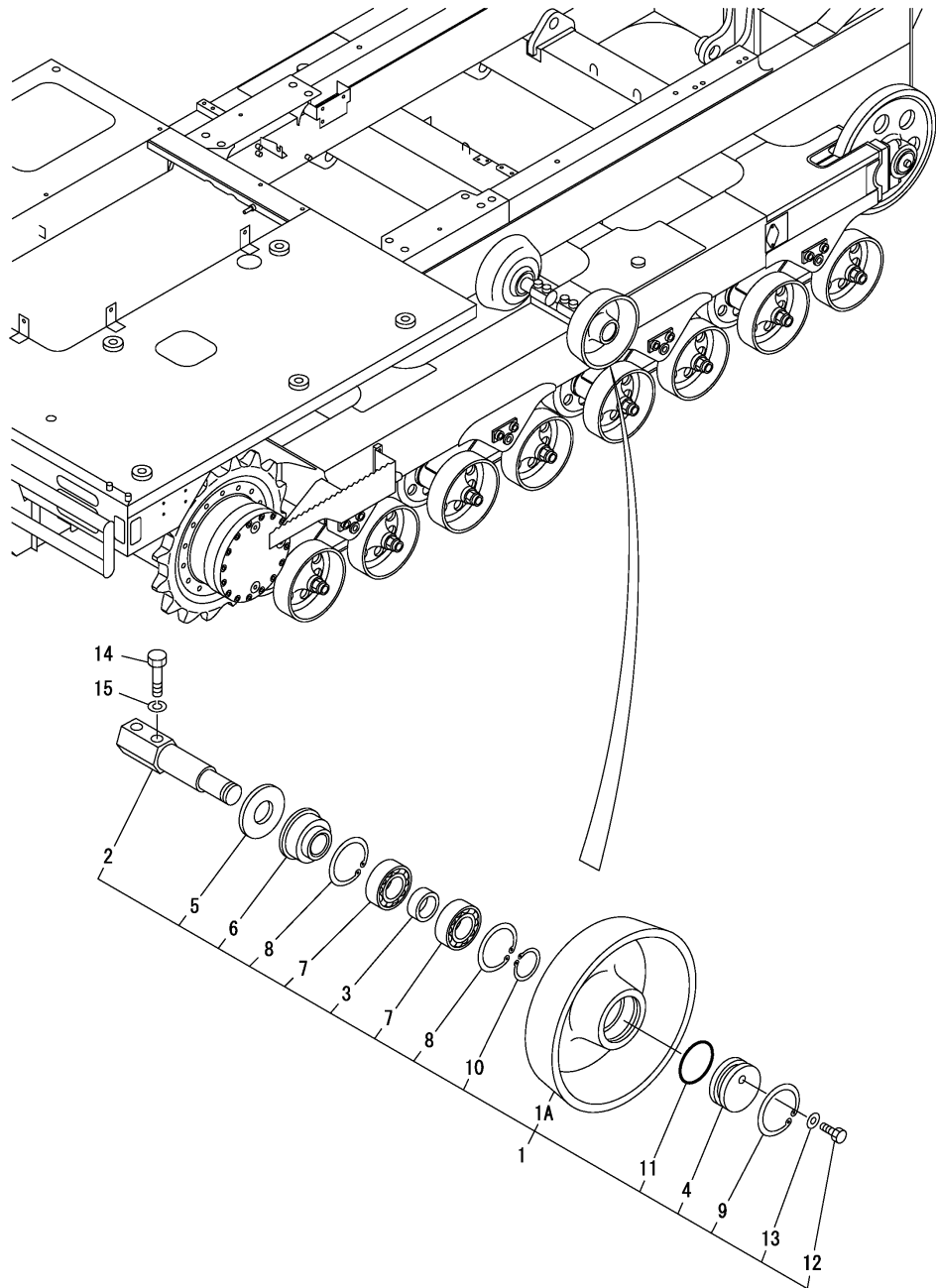
No.	Lev.	Parts No.	Description	Q'ty						I	R
				(A)	(B)	(C)	(D)	(E)	(F)		
1	1	E0003612004	WASHER	8							
2	1	E1100041030	BOLT M10X30	8							
3	1	E0871108603	COVER	1							
4	1	E0874101004	COVER	1							
5	1	E0871107505	COVER	1							
6	1	E0871108606	COVER, MOTOR	1							
7	1	E1652533023	CAP	1							
8	1	E0871108620	BUMPER	1							
9	1	E0874100009	COVER, OIL SUMP	1							
10	1	E0874102020	COVER	1							
11	1	E0874102010	COVER	1							
11A	2	E0874102011	COVER	1							
11B	2	E0874102012	COVER	1							
11C	2	E1100040820	BOLT M 8X 20	2							
11D	2	E1140020008	SPRING WASHER 8	2							
11E	2	E1141110008	WASHER 8	2							
12	1	E0872106340	COVER	2							
13	1	E0871108630	STEP	1							
14	1	E0871108614	PLATE	2							
15	1	E0874101016	COVER, MOTOR	1							
18	1	E1100040814	BOLT M8X14	4							
20	1	E1100041020	BOLT M10X 20	28							
21	1	E1100041025	BOLT M10X 25	14							
22	1	E1100041225	BOLT M12X25	12							
23	1	E1100041430	BOLT	16							1
23A	1	E1100041435	BOLT M14X 35	16							1
24	1	E1140020008	SPRING WASHER 8	4							
25	1	E1140020010	SPRING WASHER 10	50							
26	1	E1140020012	SPRING WASHER 12	12							
27	1	E1140020014	SPRING WASHER 14	16							
28	1	E1141110008	WASHER 8	4							
29	1	E1141110010	WASHER 10	16							
30	1	E1141110012	WASHER 12	12							
31	1	E1141550010	WASHER, M10	4							
32	1	E1141550014	WASHER	16							
33	1	E0874100400	SHIM, T=1.0	1							1
33A	1	E0874100401	SHIM, T=1.6	1							1
33B	1	E0874100402	SHIM, T=2.3	1							1
33C	1	E0874100403	SHIM, T=4.5	1							1
33D	1	E0874100404	SHIM, T=1.0	1							1
33E	1	E0874100405	SHIM, T=1.6	1							1
33F	1	E0874100406	SHIM, T=2.3	1							1
33G	1	E0874100407	SHIM, T=4.5	1							1
34	1	E0871108634	PLATE	1							
35	1	E0874100420	WASHER	2							
36	1	E0871107619	SPONGE	2							
38	1	E0871108638	SPONGE	2							
40	1	E0872108110	HANGER,STEP	2							
41	1	E0872107070	STEP	1							

Remarks

(1)SELECTION USE PARTS.

N:Old $\xrightarrow{\text{Yes}}$ New, Q:Old $\xrightarrow{\text{No}}$ New, R:Old $\xrightarrow{\text{Yes}}$ New, S:Old $\xrightarrow{\text{No}}$ New, W:Add, Z:Discontinued, F:Interchangeable by set, K:Q'ty Change

Fig.4. CARRIER ROLLER

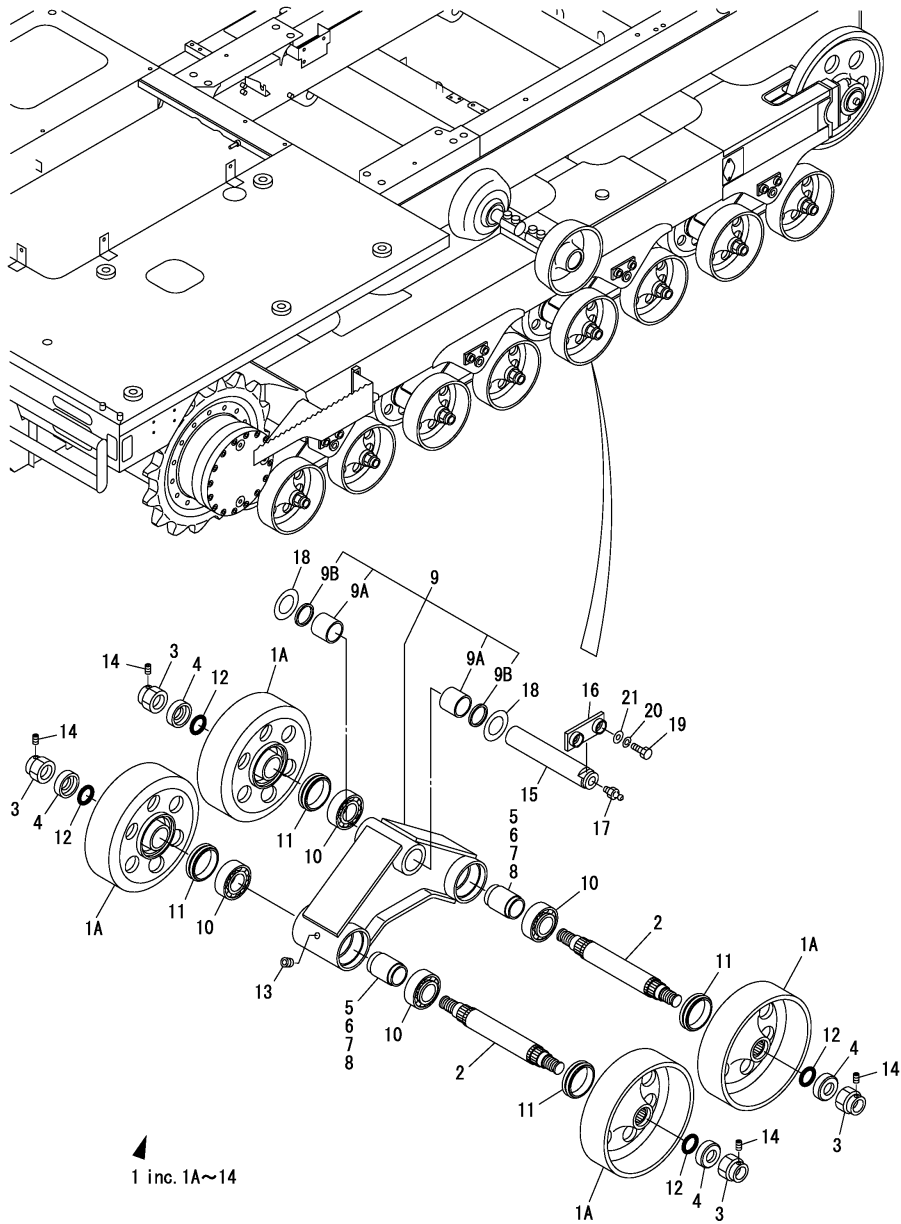


(A)=C50R-3B
(B)=
(C)=

(D)=
(E)=
(F)=

No.	Lev.	Parts No.	Description	Q'ty						I	R
				(A)	(B)	(C)	(D)	(E)	(F)		
1	1	E0870121800	CARRIER ROLLER ASSY.	4							
1A	2	E0872123600	SHELL, ROLLER	4							
2	2	E0870121900	SHAFT	4							
3	2	E0872123800	COLLAR	4							
4	2	E0872123900	PLATE	4							
5	2	E0860124500	COVER, SEAL	4							
6	2	E1431203562	SEAL	4							
7	2	E1300006206	BEARING	8							
8	2	E1221000062	SNAP RING	8							
9	2	E1221000065	CIRCLIP	4							
10	2	E1220000030	SNAP RING	4							
11	2	E1420100600	O-RING	4							
12	2	E1100041014	BOLT M10X 14	4							
13	2	E1541400510	WASHER, COPPER	4							
14	1	E1101041670	BOLT M16X 70	8							
15	1	E1140020016	SPRING WASHER M16	8							

Fig.5. TRUCK ROLLER



(A)=C50R-3B

(B)=

(C)=

(D)=

(E)=

(F)=

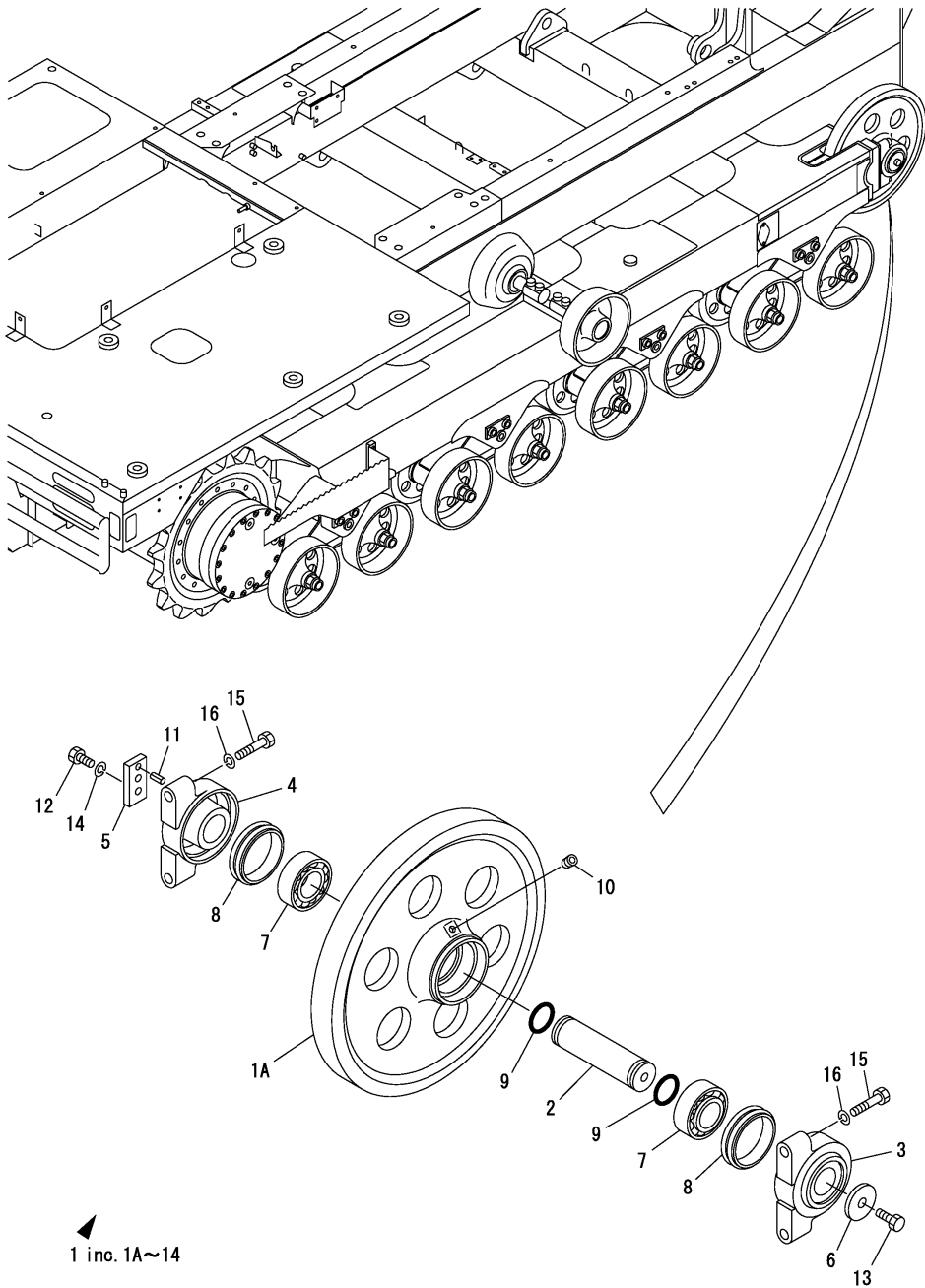
No.	Lev.	Parts No.	Description	Q'ty						I	R
				(A)	(B)	(C)	(D)	(E)	(F)		
1	1	E0874130100	TRUCK ROLLER ASSY	8							
1A	2	E0874130110	SHELL, TRACK ROLLER	32							
2	2	E0874130120	SHAFT	16							
3	2	E0874130130	NUT	32							
4	2	E0874130140	PLATE	32							
5	2	E0874130150	SPACER	1							1
6	2	E0874130160	SPACER	1							1
7	2	E0874130170	SPACER	1							1
8	2	E0874130180	SPACER	1							1
9	2	E0874130200	BRACKET ASSY	8							
9A	3	E0002400053	BUSH	16							
9B	3	E1432200040	SEAL, DUST	16							
10	2	E1305000004	ROLLER BEARING	32							
11	2	E1432500640	SEAL, FLOATING	32							
12	2	E1420360322	O-RING	32							
13	2	E1501810002	PLUG PT 1/4	32							
14	2	E1121240810	SCREW	32							
15	1	E0874130010	PIN	8							
16	1	E0870138460	LOCKER	8							
17	1	E1560001000	NIPPLE, GREASE	8							
18	1	E0003600036	SHIM	16							
19	1	E1101041240	BOLT M12X 40 P1.5	16							
20	1	E1140020012	SPRING WASHER 12	16							
21	1	E1141550012	WASHER, M12	16							

Remarks

(1)SELECTION USE PARTS.

N:Old $\xrightarrow{\text{Yes}}$ New, Q:Old $\xrightarrow{\text{No}}$ New, R:Old $\xrightarrow{\text{Yes}}$ New, S:Old $\xrightarrow{\text{No}}$ New, W:Add, Z:Discontinued, F:Interchangeable by set, K:Q'ty Change

Fig.6. IDLER



1 inc. 1A~14

(A)=C50R-3B

(B)=

(C)=

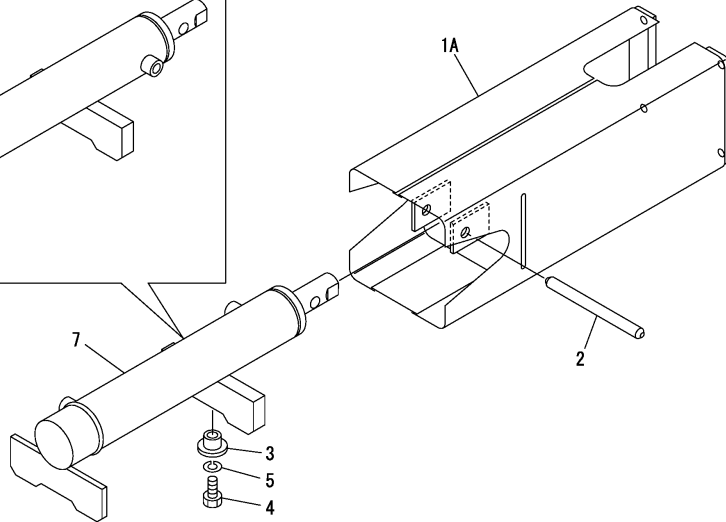
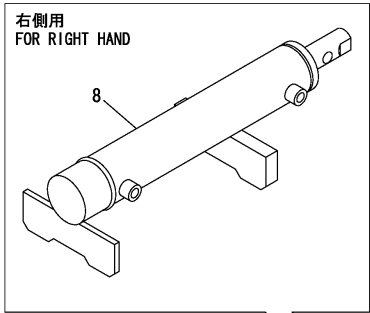
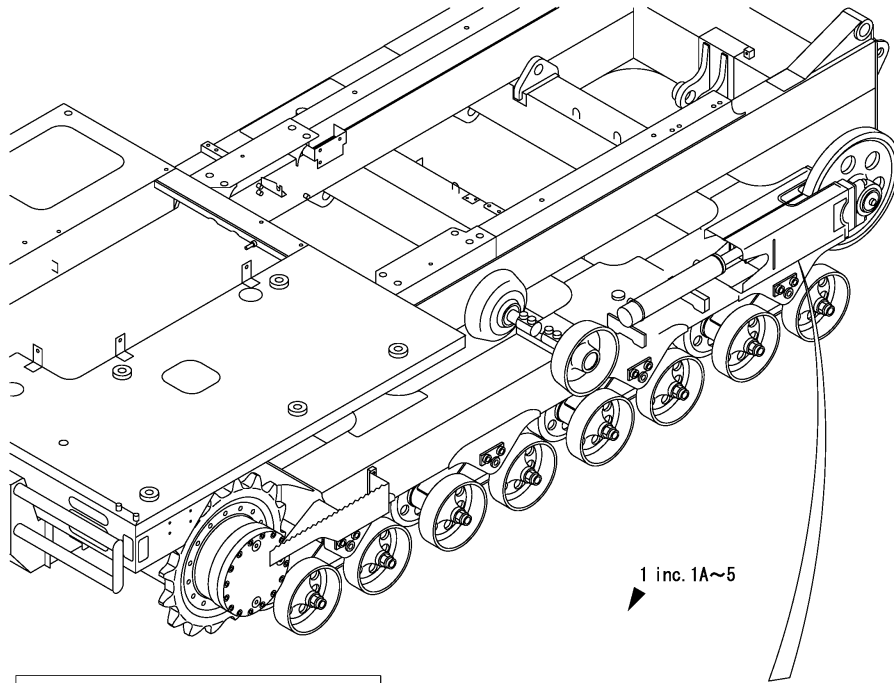
(D)=

(E)=

(F)=

No.	Lev.	Parts No.	Description	Q'ty						I	R
				(A)	(B)	(C)	(D)	(E)	(F)		
1	1	E0874140100	IDLER ASSY	2							
1A	2	E0874140110	SHELL, IDLER	2							
2	2	E0881140320	SHAFT	2							
3	2	E0874140130	COVER, SEAL	2							
4	2	E0874140140	COVER, SEAL	2							
5	2	E0881140350	PLATE	2							
6	2	E0881140360	PLATE	2							
7	2	E1305000005	BRACKET	4							
8	2	E1432500800	SEAL, FLOATING	4							
9	2	E1420100400	O-RING	4							
10	2	E1501810001	PLUG PT1/8	2							
11	2	E1213001026	SPRING PIN	2							
12	2	E1100041030	BOLT M10X30	4							
13	2	E1106041635	BOLT M16,P2.0X 35	2							
14	2	E1140020010	SPRING WASHER 10	4							
15	1	E1100041245	BOLT M12X 45	16							
16	1	E1140020012	SPRING WASHER 12	16							

Fig.7. TRUCK ADGUSTA



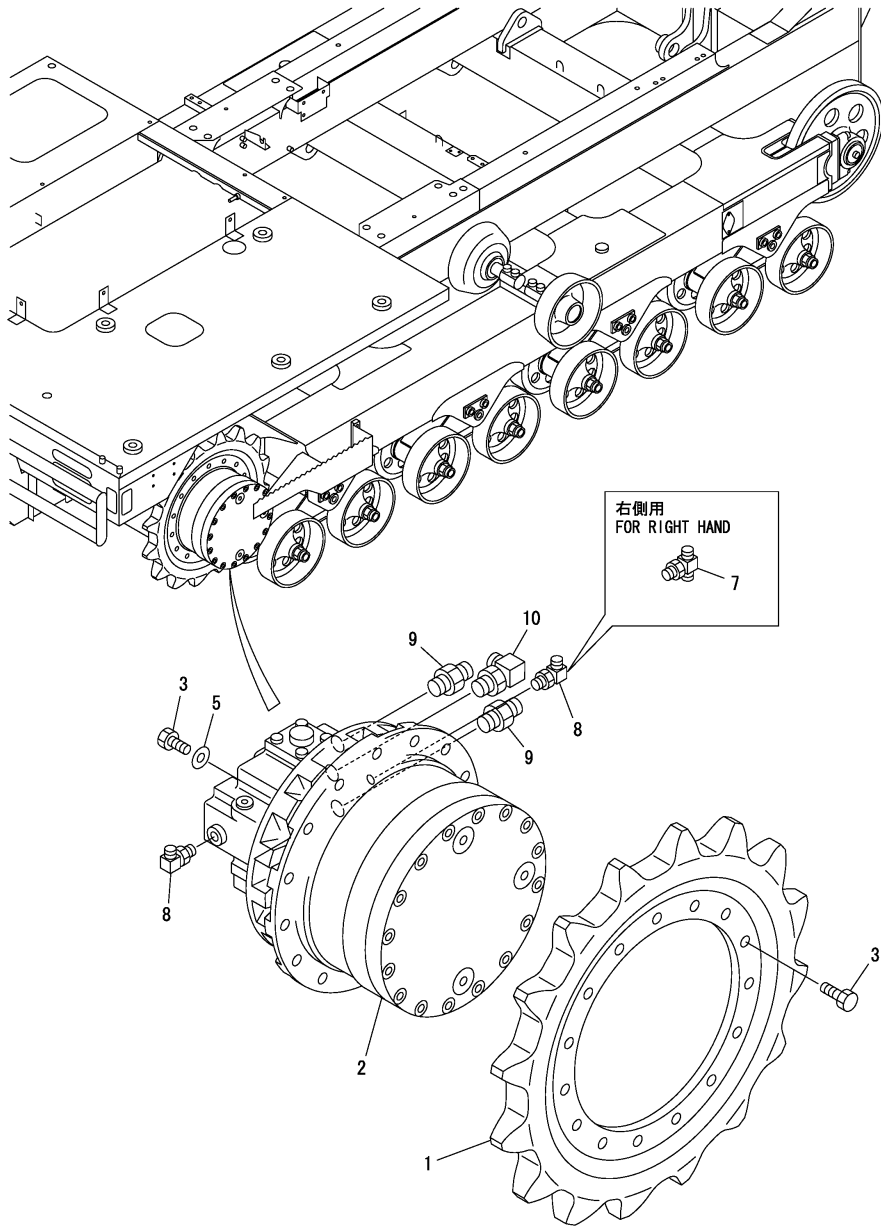
(A)=C50R-3B
(B)=
(C)=

(D)=
(E)=
(F)=

No.	Lev.	Parts No.	Description	Q'ty						I	R
				(A)	(B)	(C)	(D)	(E)	(F)		
1	1	E0871152600	SLIDE FORK ASSY	2							
1A	2	E0871152700	FORK	2							
2	2	E0871150800	PIN	2							
3	2	E0872153630	BOSS	2							
4	2	E1100041440	BOLT M14X40	2							
5	2	E1140020014	SPRING WASHER 14	2							
7	1	E1900085900	CYLINDER ASSY	1							1
8	1	E1900086000	CYLINDER ASSY	1							1

Remarks
(1)COMPONENT PARTS:REFER TO FIG.89.

Fig.8. TRAVEL DEVICE



(A)=C50R-3B

(B)=

(C)=

(D)=

(E)=

(F)=

No.	Lev.	Parts No.	Description	Q'ty						I	R
				(A)	(B)	(C)	(D)	(E)	(F)		
1	1	E0871162600	SPROCKET	2							
2	1	E1903123300	TRAVEL MOTOR	2							1
3	1	E1100041635	BOLT M16X 35	62							
5	1	E1141550016	WASHER, M16	32							
7	1	E1512370010	NIPPLE	2							
8	1	E1515012040	ELBOW	2							
9	1	E1515600203	ADAPTER UNION	4							
10	1	E1515010043	ELBOW	2							

Remarks

(1)COMPONENT PARTS:REFER TO FIG.90.

N:Old $\xrightarrow{\text{Yes}}$ New, Q:Old $\xrightarrow{\text{No}}$ New, R:Old $\xrightarrow{\text{Yes}}$ New, S:Old $\xrightarrow{\text{No}}$ New, W:Add, Z:Discontinued, F:Interchangeable by set, K:Q'ty Change

Fig.9. TURNING BEARING

(A)=C50R-3B
(B)=
(C)=

(D)=
(E)=
(F)=

No.	Lev.	Parts No.	Description	Q'ty						I	R
				(A)	(B)	(C)	(D)	(E)	(F)		
1	1	E1913040950	TURNING BEARING	1							
2	2	E1913004658	SEAL	1							
3	2	E1913004659	SEAL	1							
4	1	E0562016100	BOLT	1							
5	1	E1101041685	BOLT	63							
6	1	E1141550016	WASHER, M16	29							
7	1	E1501710010	PLUG	1							

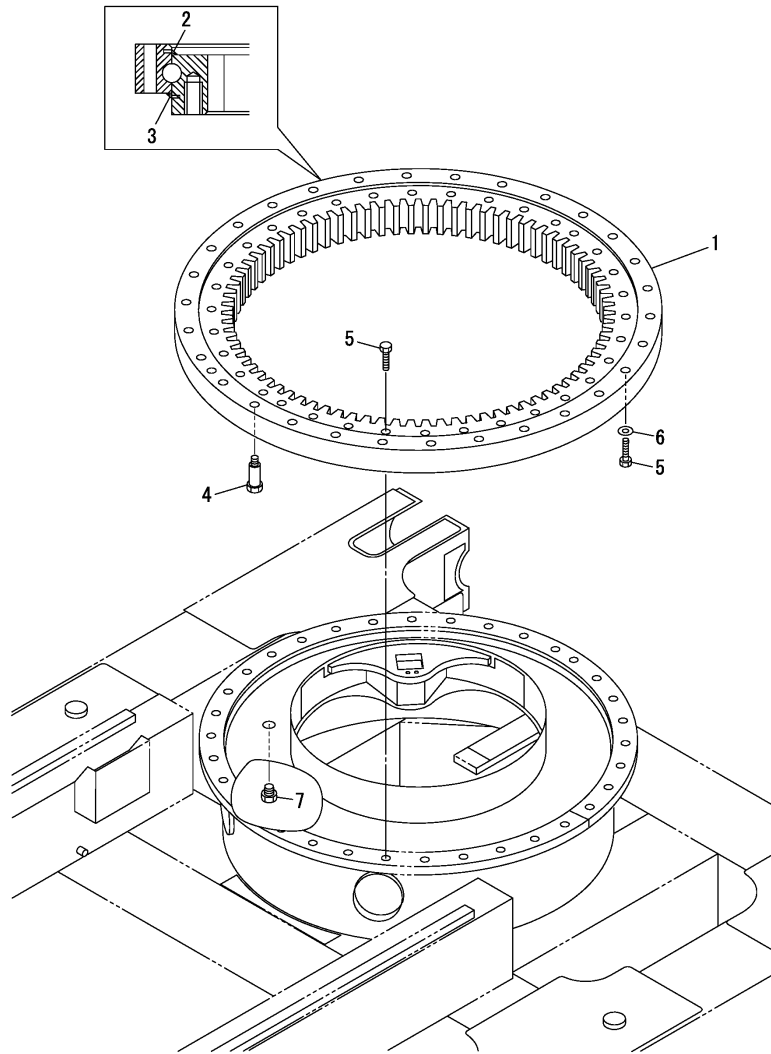
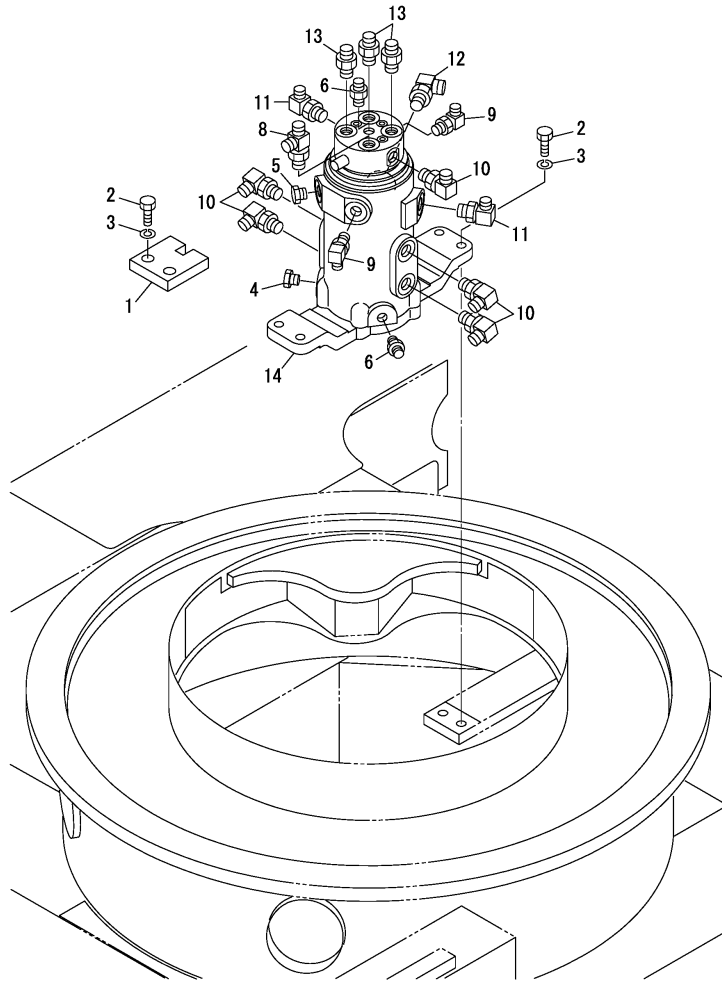


Fig.10. SWIVEL JOINT



(A)=C50R-3B
(B)=
(C)=

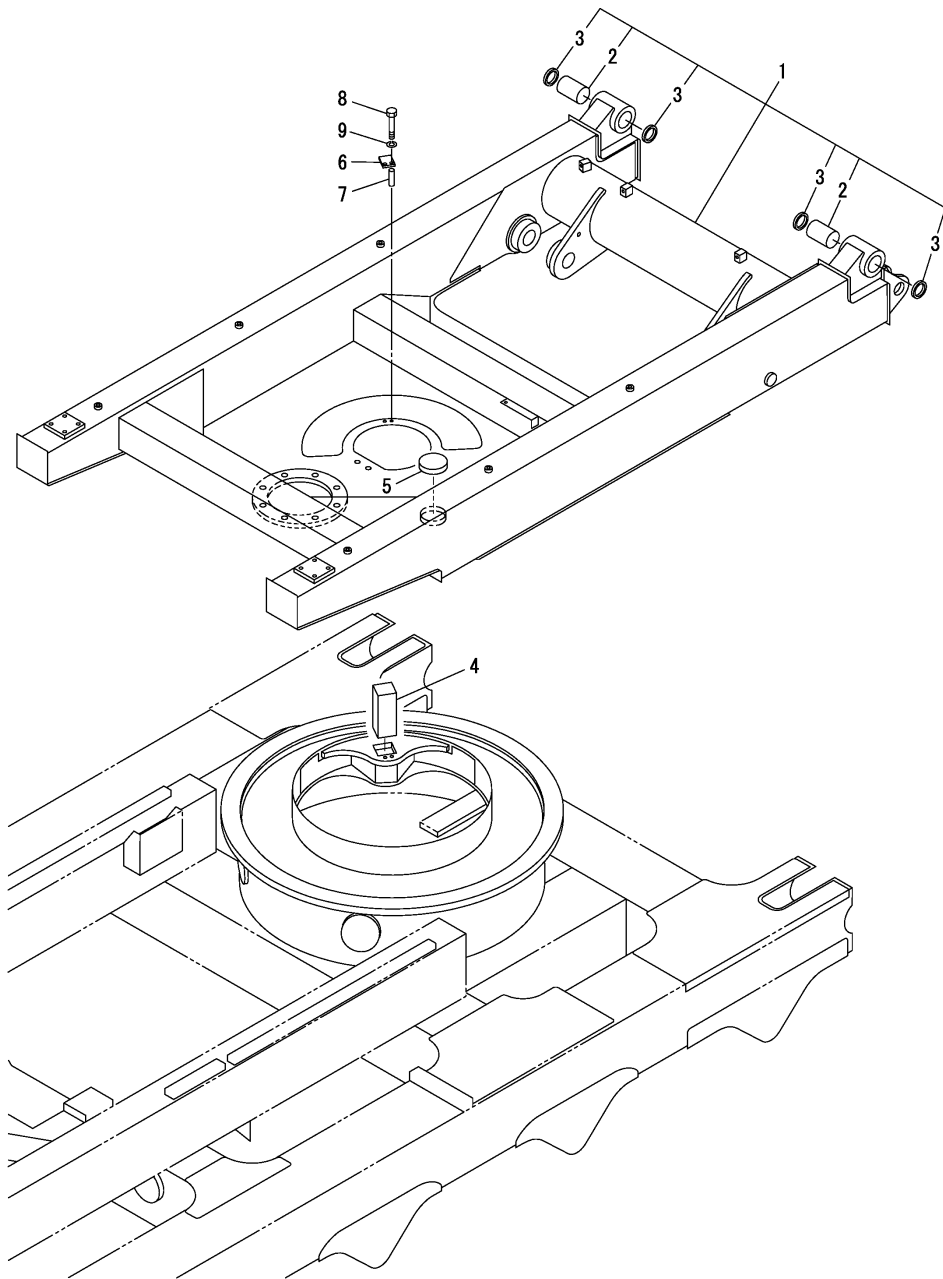
(D)=
(E)=
(F)=

No.	Lev.	Parts No.	Description	Q'ty						I	R
				(A)	(B)	(C)	(D)	(E)	(F)		
1	1	E0874210010	LOCKING	1							
2	1	E1101041440	BOLT M14X 40	6							
3	1	E1140020014	SPRING WASHER 14	6							
4	1	E1501710002	PLUG	1							
5	1	E1501750002	PLUG	1							
6	1	E1511050002	ADAPTER, HOSE	2							
8	1	E1512370007	TEE	1							
9	1	E1515012040	ELBOW	2							
10	1	E1515010041	ELBOW	5							
11	1	E1515010050	ELBOW	2							
12	1	E1515010131	ELBOW	1							
13	1	E1515600201	UNION	3							
14	1	E1904005900	JOINT ASSY, SWIVEL	1							1

Remarks

(1)COMPONENT PARTS:REFER TO FIG.86.

Fig.11. TURNING FRAME

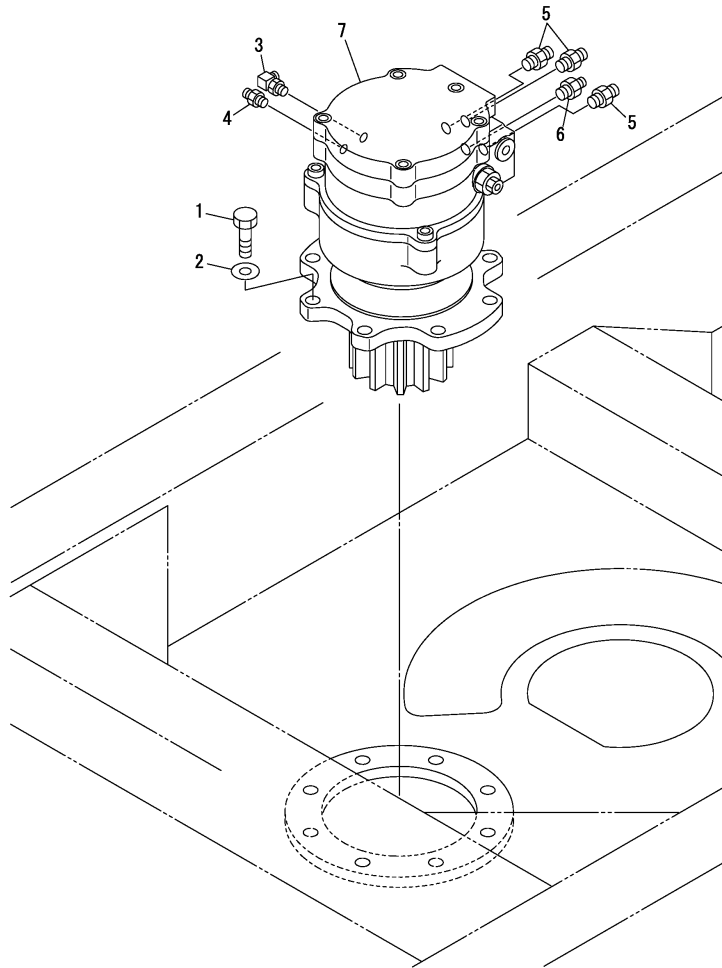


(A)=C50R-3B
(B)=
(C)=

(D)=
(E)=
(F)=

No.	Lev.	Parts No.	Description	Q'ty						I	R
				(A)	(B)	(C)	(D)	(E)	(F)		
1	1	E0871220020	TURNING FRAME	1							
2	2	E0002400052	BUSH	2							
3	2	E1432200040	SEAL, DUST	4							
4	1	E0871220010	LOCK PIN	1							
5	1	E0173216600	COVER	1							
6	1	E0874220008	PLAET	1							
7	1	E0874220009	PIPE	2							
8	1	E1100040870	BOLT M 8X 70	2							
9	1	E1140020008	SPRING WASHER 8	2							

Fig.12. TURNING DEVICE



(A)=C50R-3B
(B)=
(C)=

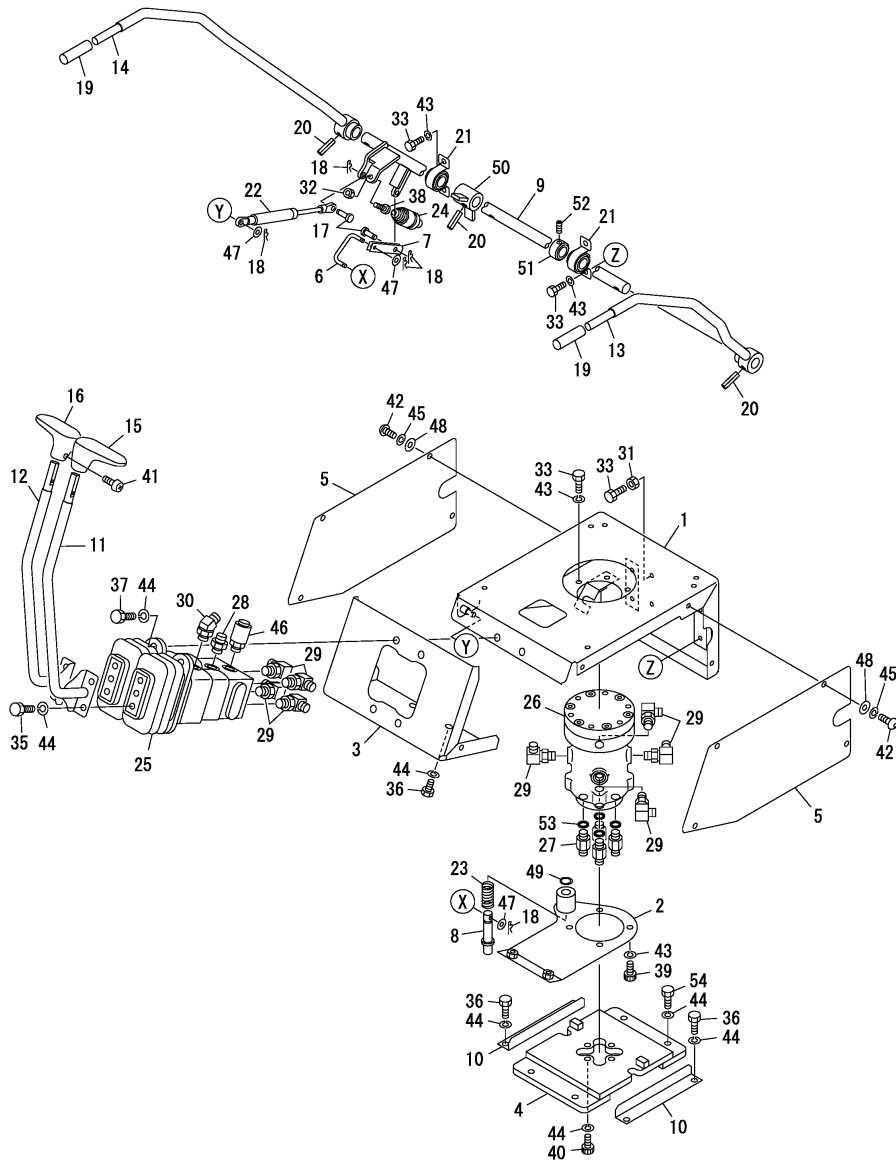
(D)=
(E)=
(F)=

No.	Lev.	Parts No.	Description	Q'ty						I	R
				(A)	(B)	(C)	(D)	(E)	(F)		
1	1	E1101041650	BOLT M16X50	8							
2	1	E1141550016	WASHER, M16	8							
3	1	E1515012040	ELBOW	1							
4	1	E1515600200	UNION	1							
5	1	E1515600201	UNION	3							
6	1	E1515600576	ADAPTER UNION	1							
7	1	E1903123500	TURNING MOTOR ASSY	1							1

Remarks

(1)COMPONENT PARTS:REFER TO FIG.91.

Fig.13. TRAVEL LEVER



(A)=C50R-3B

(B)=

(C)=

(D)=

(E)=

(F)=

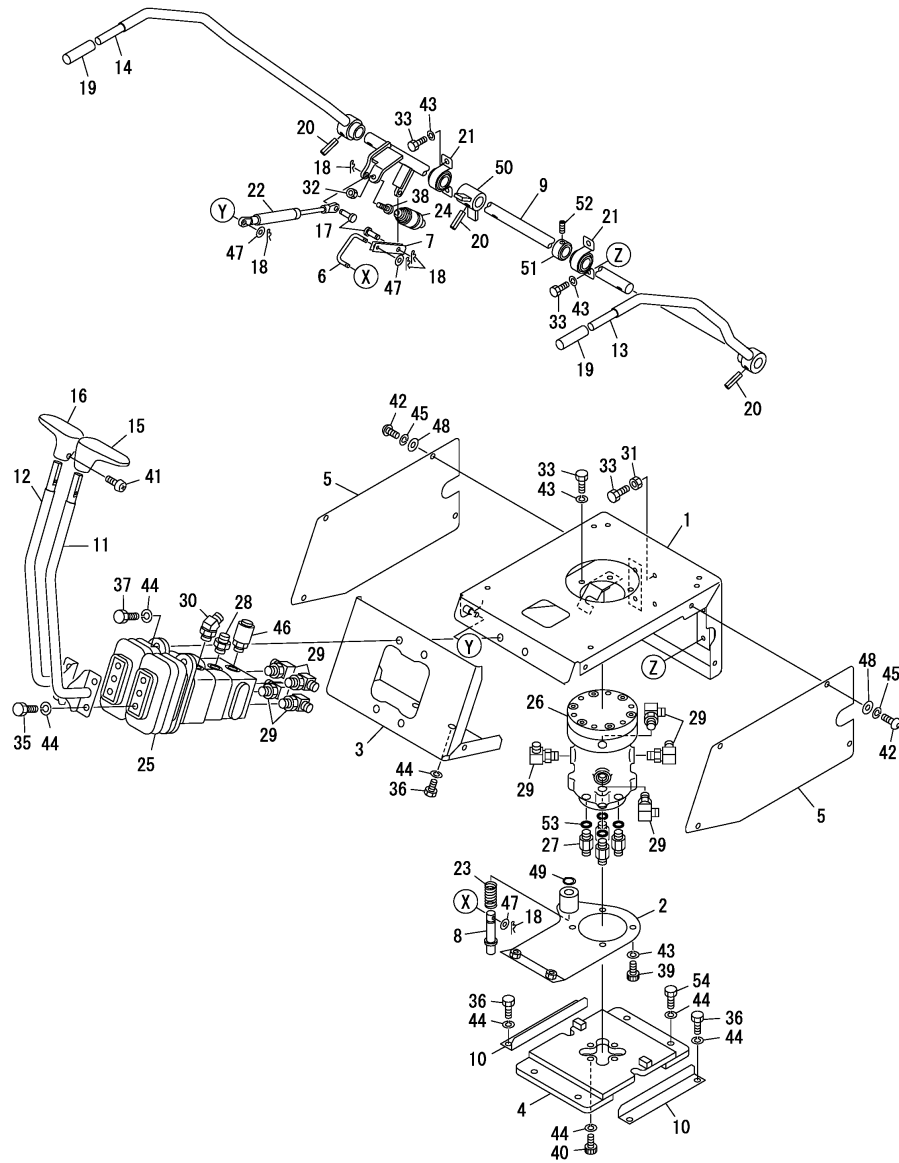
No.	Lev.	Parts No.	Description	Q'ty						I	R
				(A)	(B)	(C)	(D)	(E)	(F)		
1	1	E0871513010	SEAT MOUNT	1							
2	1	E0871513020	PLATE	1							
3	1	E0871513030	VALVE MOUNT	1							
4	1	E0871514040	PLATE	1							
5	1	E0871513050	COVER	2							
6	1	E0871513060	PIN	1							
7	1	E0871513070	LINK	1							
8	1	E0871513080	LOCK PIN	1							
9	1	E0871513090	SHAFT	1							
10	1	E0871514100	COVER	2							
11	1	E0871513110	LEVER L, TRAVEL	1							
12	1	E0871513120	LEVER R, TRAVEL	1							
13	1	E0871513130	LEVER L	1							
14	1	E0871513140	LEVER R	1							
15	1	E1650204200	GRIP	1							
16	1	E1650204100	GRIP	1							
17	1	E0004008015	PIN	2							
18	1	E1214000006	SNAP PIN	5							
19	1	E1650202300	CAP	2							
20	1	E1213000836	PIN(SPRING 8X 36	3							
21	1	E1332002022	PILLOW	2							
22	1	E1653900057	SPRING, GAS	1							
23	1	E0007000110	SPRING	1							
24	1	E1700000033	SWITCH, LIMIT	1							
25	1	E1901738800	REMO-CON VALVE ASSY	1							1
26	1	E1901729200	SELECTOR VALVE	1							2
27	1	E0007203078	ADAPTER, HOSE	4							
28	1	E1512370008	FILTER	1							
29	1	E1515010130	ELBOW	8							
30	1	E1515100136	ELBOW	1							
31	1	E1130040008	NUT, M8	2							
32	1	E1130040010	NUT	1							
33	1	E1100040820	BOLT M 8X 20	12							
35	1	E1100041020	BOLT M10X 20	4							
36	1	E1100041025	BOLT M10X 25	6							
37	1	E1100041030	BOLT M10X30	4							
38	1	E0335120970	BOLT	1							
39	1	E1110040820	BOLT M 8X 20	4							
40	1	E1110041025	SOCKET BOLT M10X 25	4							
41	1	E1120530416	SCREW, M4X16	2							
42	1	E1120990820	SCREW	8							
43	1	E1140020008	SPRING WASHER 8	14							
44	1	E1140020010	SPRING WASHER 10	20							
45	1	E1140090008	SPRING WASHER M 8	8							
46	1	E1700100041	SWITCH, PRESSURE	1							
47	1	E1141110006	WASHER,PLAIN 6	2							
48	1	E1141190008	WASHER M 8	8							
49	1	E1220000012	SNAP RING	1							
50	1	E0871513150	STOPPER	1							
51	1	E0163209400	STOPPER	1							
52	1	E1121040808	SCREW	1							

Remarks

(1)COMPONENT PARTS:REFER TO FIG.80.

(2)COMPONENT PARTS:REFER TO FIG.85.

Fig.13. TRAVEL LEVER



(A)=C50R-3B
(B)=
(C)=

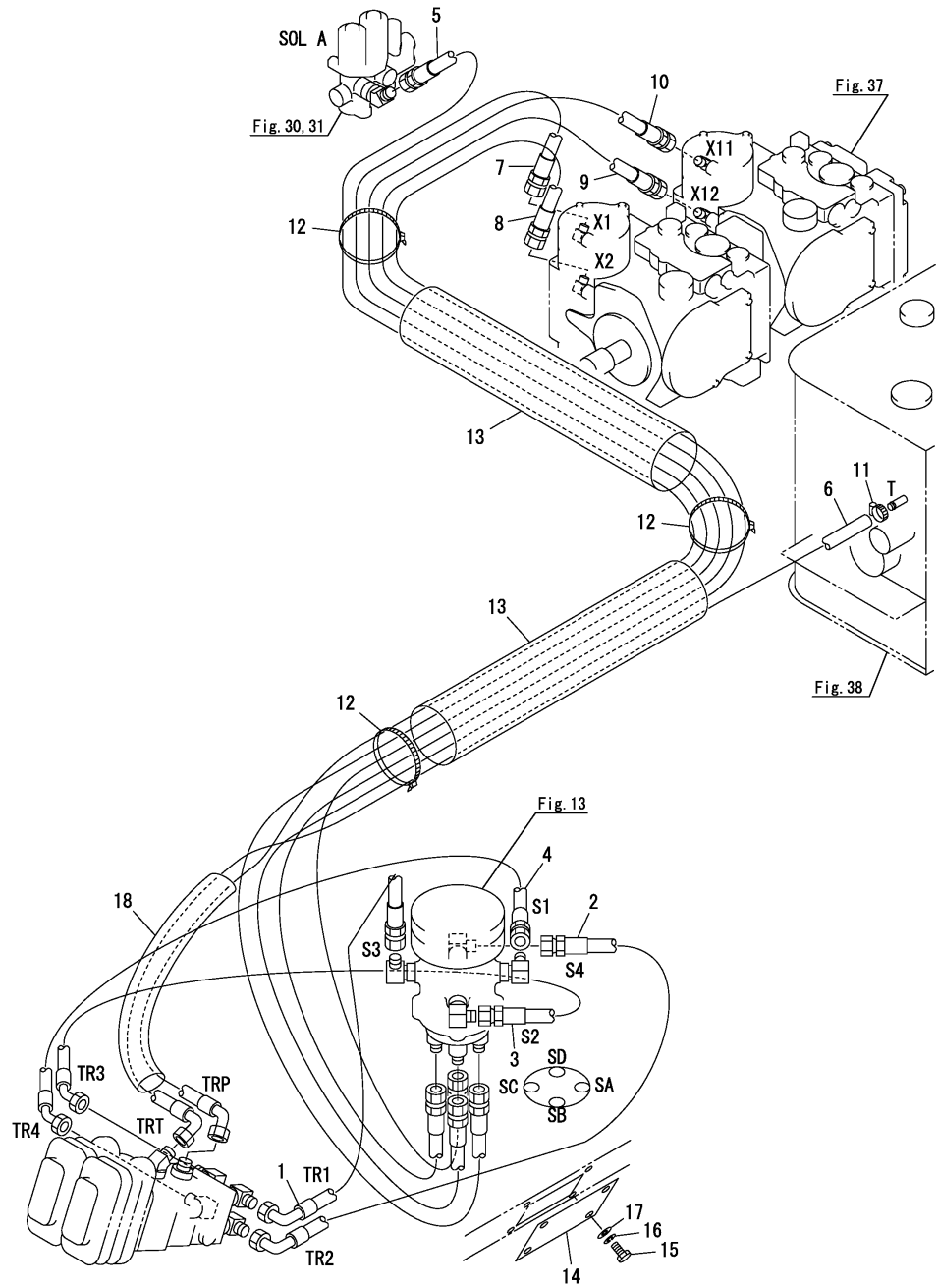
(D)=
(E)=
(F)=

No.	Lev.	Parts No.	Description	Q'ty						I	R
				(A)	(B)	(C)	(D)	(E)	(F)		
53	1	E1420010110	O-RING	4							
54	1	E1100041035	BOLT M10X 35	4							

Remarks

- (1)COMPONENT PARTS:REFER TO FIG.80.
- (2)COMPONENT PARTS:REFER TO FIG.85.

Fig.14. TRAVEL LEVER PIPING

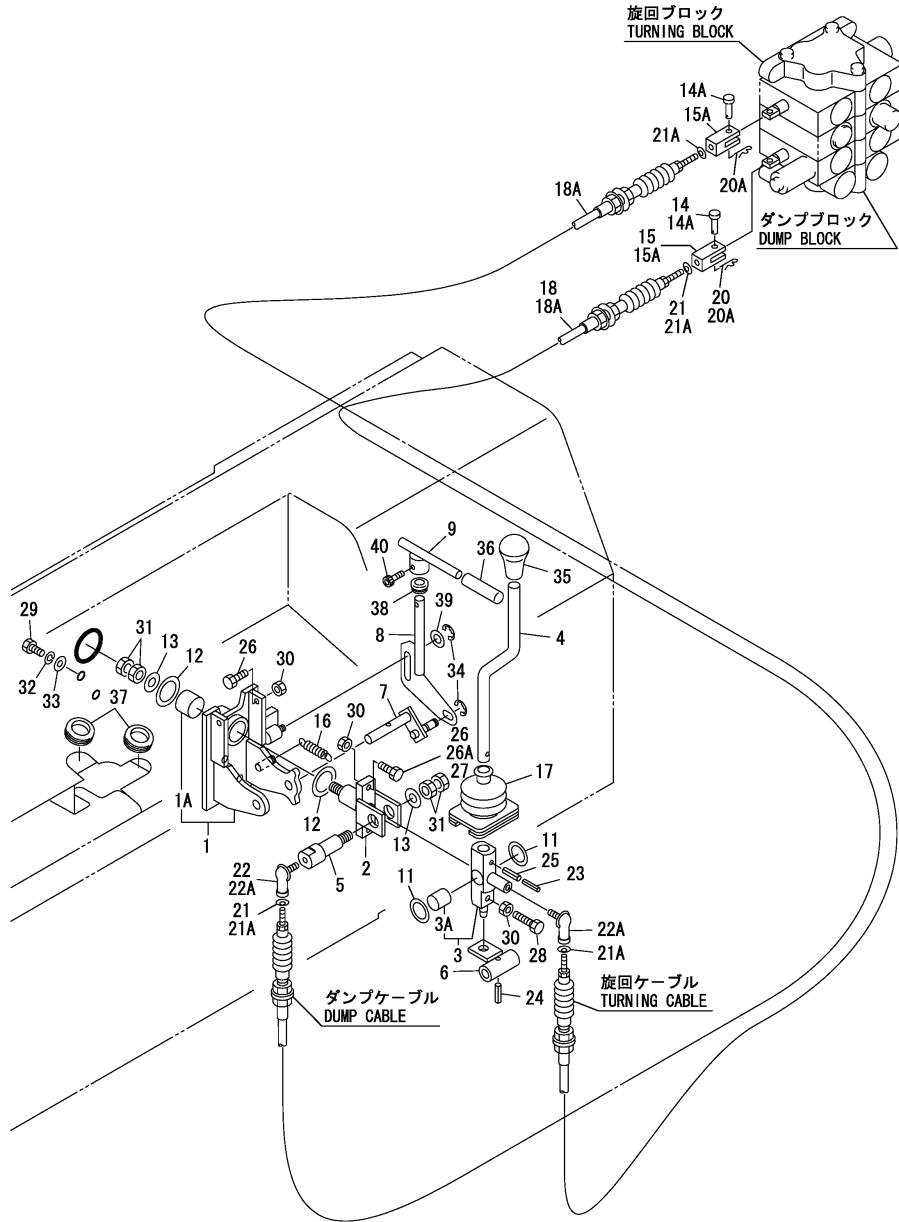


(A)=C50R-3B
(B)=
(C)=

(D)=
(E)=
(F)=

No.	Lev.	Parts No.	Description	Q'ty						I	R
				(A)	(B)	(C)	(D)	(E)	(F)		
1	1	E0871712510	HOSE	1							
2	1	E0871712520	HOSE	1							
3	1	E0871712530	HOSE	1							
4	1	E0871712540	HOSE	1							
5	1	E0871712550	HOSE	1							
6	1	E0871712560	HOSE	1							
7	1	E0871712570	HOSE	1							
8	1	E0871712580	HOSE	1							
9	1	E0871712590	HOSE	1							
10	1	E0871712600	HOSE	1							
11	1	E1533700016	CLIP, HOSE	1							
12	1	E1652201007	TIE-LAP	3							
13	1	E1531360050	HOSE, PROTECT	2							
14	1	E0871712610	PLATE	1							
15	1	E1100041020	BOLT M10X 20	4							
16	1	E1140020010	SPRING WASHER 10	4							
17	1	E1141110010	WASHER 10	4							
18	1	E1531325030	HOSE, PROTECT	1							

Fig.15. DUMP & TURNING LEVER



(A)=C50R-3B

(B)=

(C)=

(D)=

(E)=

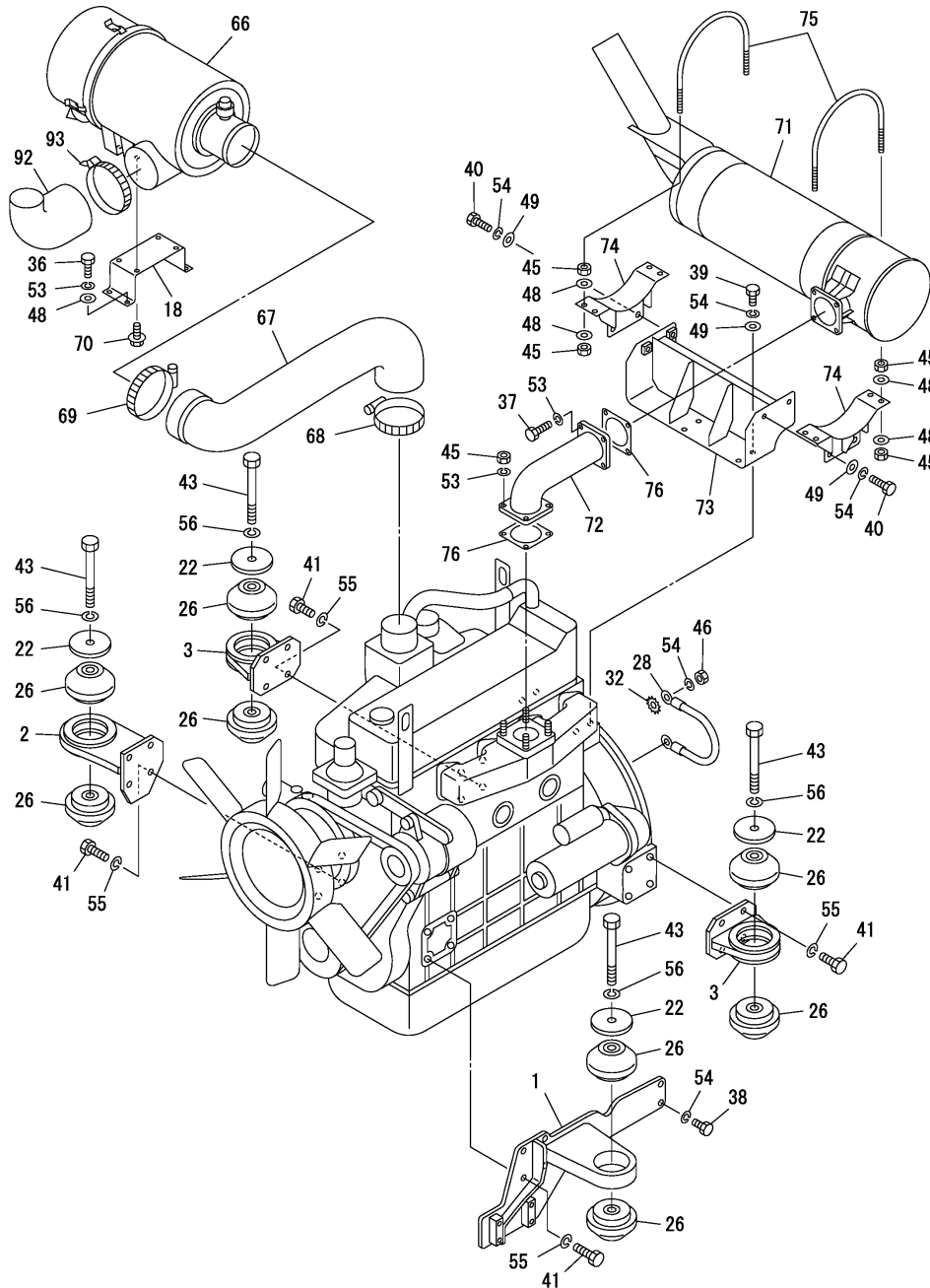
(F)=

No.	Lev.	Parts No.	Description	Q'ty						I	R
				(A)	(B)	(C)	(D)	(E)	(F)		
1	1	E0871325100	BRACKET	1							
1A	2	E1333002025	BUSHING	1							
2	1	E0871324120	ARM, LEVER	1							
3	1	E0871324130	LEVER	1							
3A	2	E1333001515	BUSH	1							
4	1	E0871324150	LEVER	1							
5	1	E0871325120	SHAFT, LEVER	1							
6	1	E0871324170	ARM, ROCKER	1							
7	1	E0871325130	PIN	1							
8	1	E0871325140	LEVER	1							
9	1	E0871325160	T-HANDLE	1							
11	1	E0083252100	WASHER	2							
12	1	E0093208300	WASHER	2							
13	1	E0003600025	WASHER	2							
14	1	E0004006017	PIN	1							
14A	1	E0004006017	PIN	2							1
15	1	E0005500009	YOKE	1							
15A	1	E0005500009	YOKE	2							1
16	1	E0143283500	SPRING	1							
17	1	E0363214700	BELLOWS	1							
18	1	E1630785210	CABLE, CONTROL	1							
18A	1	E1630785210	CABLE, CONTROL	2							1
20	1	E1214000006	SNAP PIN	1							
20A	1	E1214000006	SNAP PIN	2							1
21	1	E1225000006	WASHER	2							
21A	1	E1225000006	WASHER	4							1
22	1	E1340010060	END, ROD	1							
22A	1	E1340010060	END, ROD	2							1
23	1	E1213000325	PIN, SPRING	1							
24	1	E1213000520	PIN, SPRING	1							
25	1	E1213000525	SPRING PIN	1							
26	1	E1100040616	BOLT M 6X 16	3							
26A	1	E1100040616	BOLT M 6X 16	2							1
27	1	E1100240625	BOLT M 6X 25	1							
28	1	E1100240635	BOLT M 6X 35	1							
29	1	E1100040820	BOLT M 8X 20	2							
30	1	E1130040006	NUT, M6	4							
31	1	E1130140010	NUT	4							
32	1	E1140020008	SPRING WASHER 8	2							
33	1	E0003608252	WASHER	2							
34	1	E1224010006	E-RING	2							
35	1	E1650153655	GRIP	1							
36	1	E1650202300	CAP	1							
37	1	E1652053200	GROMMET	2							
38	1	E1652052000	GROMMET	1							
39	1	E1141110008	WASHER 8	1							
40	1	E1110040520	BOLT M 5X 20	1							

Remarks

(1)TURNING TYPE.

Fig.16. ENGINE & RELATED DEVICE(1)



(A)=C50R-3B

(B)=

(C)=

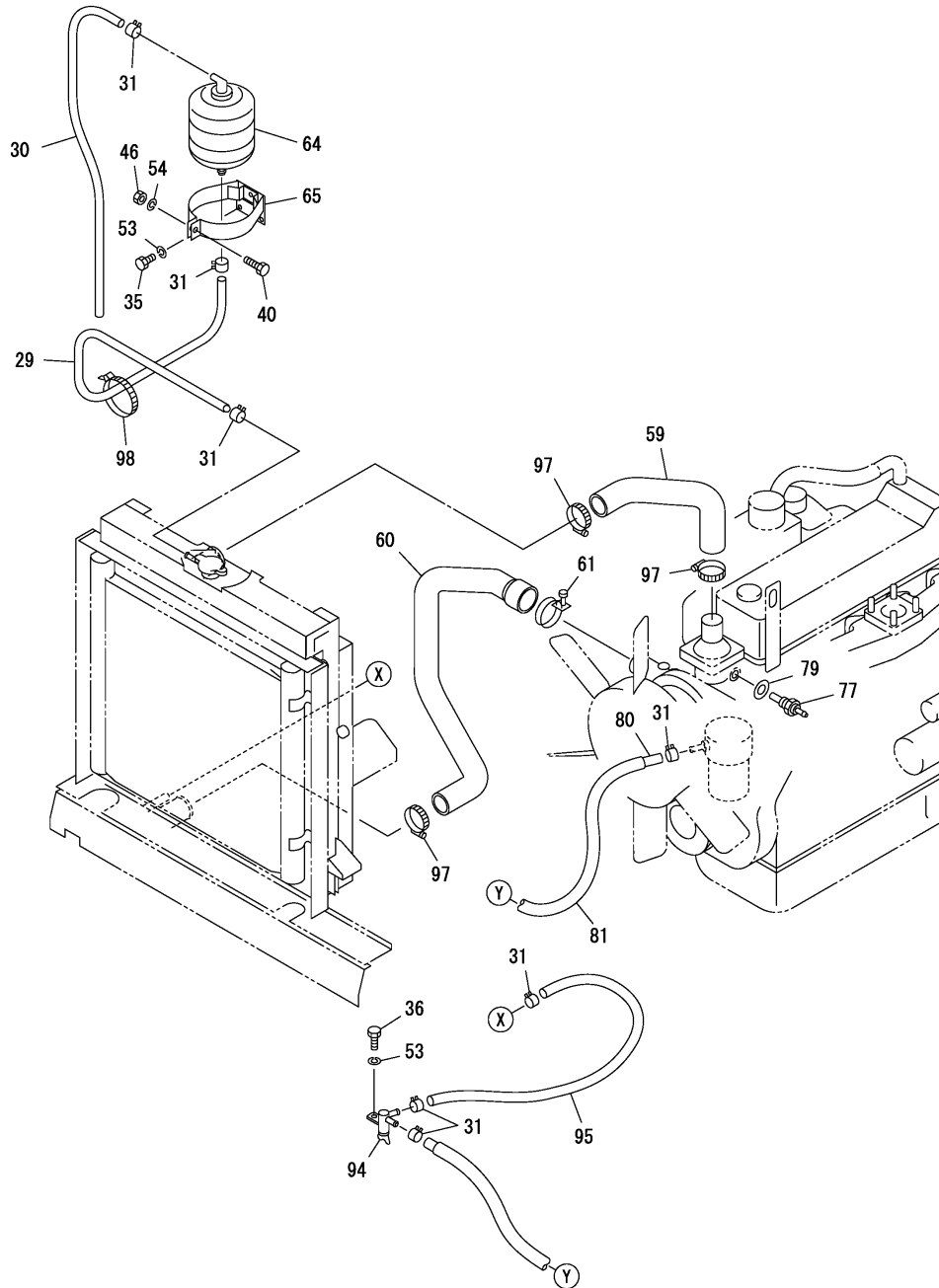
(D)=

(E)=

(F)=

No.	Lev.	Parts No.	Description	Q'ty						I	R
				(A)	(B)	(C)	(D)	(E)	(F)		
1	1	E0871403010	FOOT FL, ENGINE	1							
2	1	E0874400200	FOOT FR, ENGINE	1							
3	1	E0874400300	FOOT R, ENGINE	2							
18	1	E0874401250	BRACKET	1							
22	1	E0881400210	WASHER	4							
26	1	E1651030005	ABSORBER	8							
28	1	E1702402001	CABLE	1							
32	1	E1140330010	WASHER, TOOTHED 10	1							
36	1	E1100040820	BOLT M 8X 20	4							
37	1	E1100040830	BOLT M 8X 30	4							
38	1	E1100041020	BOLT M10X 20	2							
39	1	E1100041025	BOLT M10X 25	4							
40	1	E1100041030	BOLT M10X30	4							
41	1	E1100041225	BOLT M12X25	16							
43	1	E1100141630	BOLT M16X2X130	4							
45	1	E1130040008	NUT, M8	12							
46	1	E1130040010	NUT	1							
48	1	E1141110008	WASHER 8	12							
49	1	E1141110010	WASHER 10	8							
53	1	E1140020008	SPRING WASHER 8	12							
54	1	E1140020010	SPRING WASHER 10	11							
55	1	E1140020012	SPRING WASHER 12	16							
56	1	E1140020016	SPRING WASHER M16	4							
66	1	123944-12500	CLEANER ASSY, AIR	1							
67	1	123911-12040	PIPE, AIR INTAKE	1							
68	1	23000-102000	CLAMP, 102	1							
69	1	23000-115000	CLAMP, 115	1							
70	1	23000-080162	BOLT	4							
71	1	123911-13510	SILENCER	1							
72	1	123911-13550	BEND, EXHAUST	1							
73	1	123911-13650	BRACKET, SILENCER	1							
74	1	123911-13660	STAY, SILENCER	2							
75	1	123911-13670	BOLT	2							
76	1	129400-13201	GASKET, SILENCER	2							
92	1	E0874403250	PIPE, AIR INTAKE	1							
93	1	E1533700113	HOSE BAND	1							

Fig.17. ENGINE & RELATED DEVICE(2)

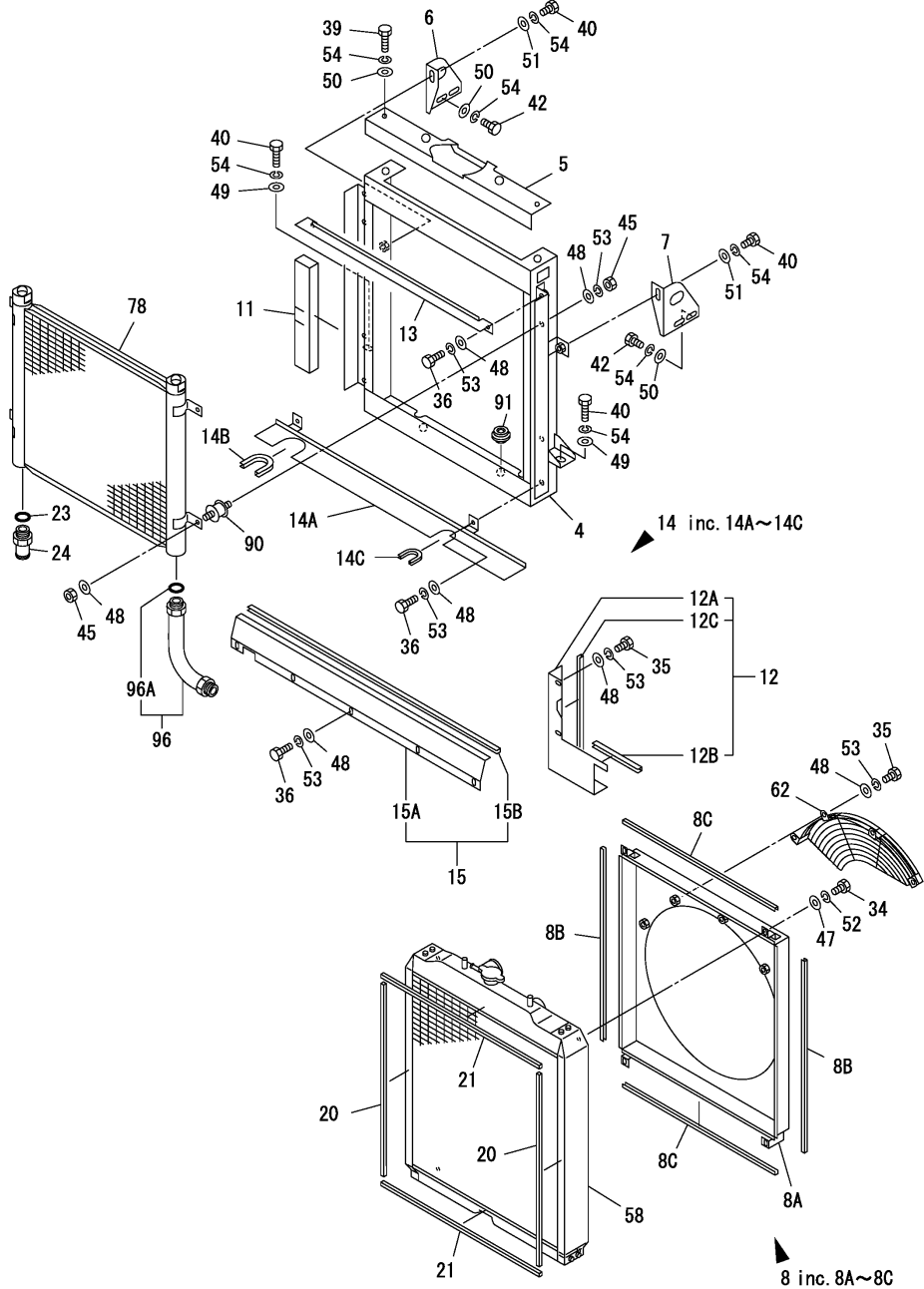


(A)=C50R-3B
(B)=
(C)=

(D)=
(E)=
(F)=

No.	Lev.	Parts No.	Description	Q'ty						I	R
				(A)	(B)	(C)	(D)	(E)	(F)		
29	1	E1531407126	HOSE	1							
30	1	E1531407100	HOSE, OVER-FLOW	1							
31	1	E1533120011	POWER BAND	6							
35	1	E1100040816	BOLT M 8X 16	2							
36	1	E1100040820	BOLT M 8X 20	1							
40	1	E1100041030	BOLT M10X30	1							
46	1	E1130040010	NUT	1							
53	1	E1140020008	SPRING WASHER 8	3							
54	1	E1140020010	SPRING WASHER 10	1							
59	1	E0874403230	HOSE	1							
60	1	E0874403240	HOSE	1							
61	1	23000-060000	CLAMP, 60	1							
64	1	148616-44510	TANK, SUB	1							
65	1	148616-44551	BRACKET	1							
77	1	121470-44900	SENSOR	1							
79	1	E1910076121	GASKET	1							
80	1	E1531407070	HOSE	1							
81	1	E1531115060	HOSE, VINYL	1							
94	1	129150-49100	COCK ASSY, 3-WAY	1							
95	1	E1531407040	PROTECTOR	1							
97	1	23000-054000	CLAMP, 54	3							
98	1	E1652231250	TIE-LAP	1							

Fig.18. ENGINE & RELATED DEVICE(3)



(A)=C50R-3B

(B)=

(C)=

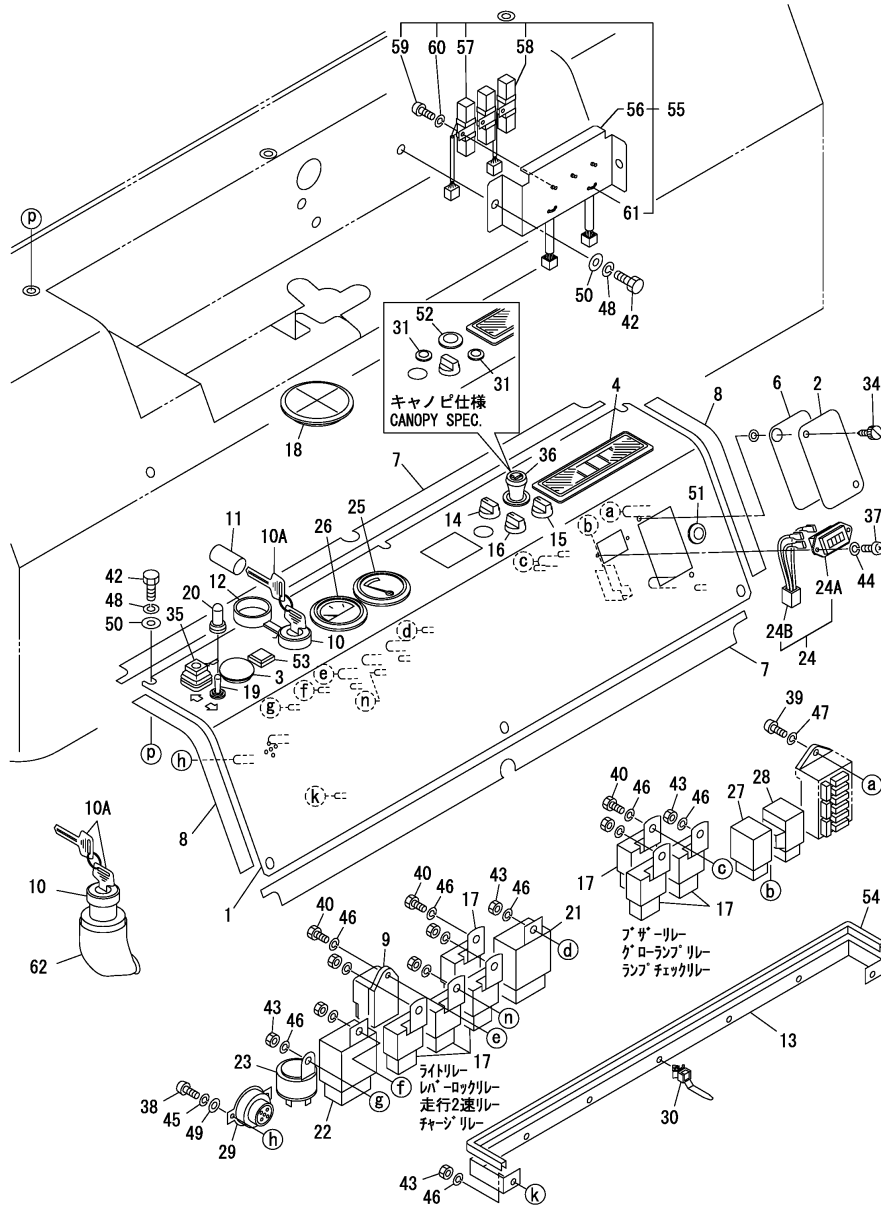
(D)=

(E)=

(F)=

No.	Lev.	Parts No.	Description	Q'ty						I	R
				(A)	(B)	(C)	(D)	(E)	(F)		
4	1	E0874403100	BRACKET	1							
5	1	E0874403120	BRACKET	1							
6	1	E0874403140	BRACKET	1							
7	1	E0874403130	BRACKET	1							
8	1	E0874403200	SHROUD ASSY	1							
8A	2	E0874403210	SHROUD	1							
8B	2	E1654358057	SPONGE	2							
8C	2	E1654355052	SPONGE	2							
11	1	E0874403190	SPONGE	1							
12	1	E0874403180	PLATE ASSY	1							
12A	2	E0874403181	PLATE	1							
12B	2	E1654520015	RUBBER	1							
12C	2	E1654520028	SASH RUBBER	1							
13	1	E0874403150	PLATE	1							
14	1	E0874403160	PLATE ASSY	1							
14A	2	E0874403161	PLATE	1							
14B	2	E1654601016	TRIM	1							
14C	2	E1654601012	TRIM	1							
15	1	E0874403170	PLATE ASSY	1							
15A	2	E0874403171	PLATE	1							
15B	2	E1654520086	SEAL	1							
20	1	E1654358057	SPONGE	2							
21	1	E1654357055	SPONGE	2							
23	1	E1420010290	O-RING	1							
24	1	E0007224013	NIPPLE, HOSE	1							
34	1	E1100040616	BOLT M 6X 16	4							
35	1	E1100040816	BOLT M 8X 16	6							
36	1	E1100040820	BOLT M 8X 20	9							
39	1	E1100041025	BOLT M10X 25	2							
40	1	E1100041030	BOLT M10X30	5							
42	1	E1100141016	BOLT	4							
45	1	E1130040008	NUT, M8	7							
47	1	E1141110006	WASHER,PLAIN 6	4							
48	1	E1141110008	WASHER 8	23							
49	1	E1141110010	WASHER 10	2							
50	1	E0003600020	WASHER	6							
51	1	E0003600173	WASHER	2							
52	1	E1140020006	SPRING WASHER 6	4							
53	1	E1140020008	SPRING WASHER 8	19							
54	1	E1140020010	SPRING WASHER 10	10							
58	1	123944-44500	RADIATOR ASSY	1							
62	1	E0874403220	GUARD, FAN	1							
78	1	E1911300030	COOLER, OIL	1							
90	1	E1651014003	ABSORBER,SHOCK	4							
91	1	119255-44660	ABSORBER	4							
96	1	E0874403260	ELBOW	1							
96A	2	E1420010290	O-RING	1							

Fig.19. CONTROL BOX



Remarks
 (1)CABIN SPEC.
 (2)CANOPY SPEC.

(A)=C50R-3B

(B)=

(C)=

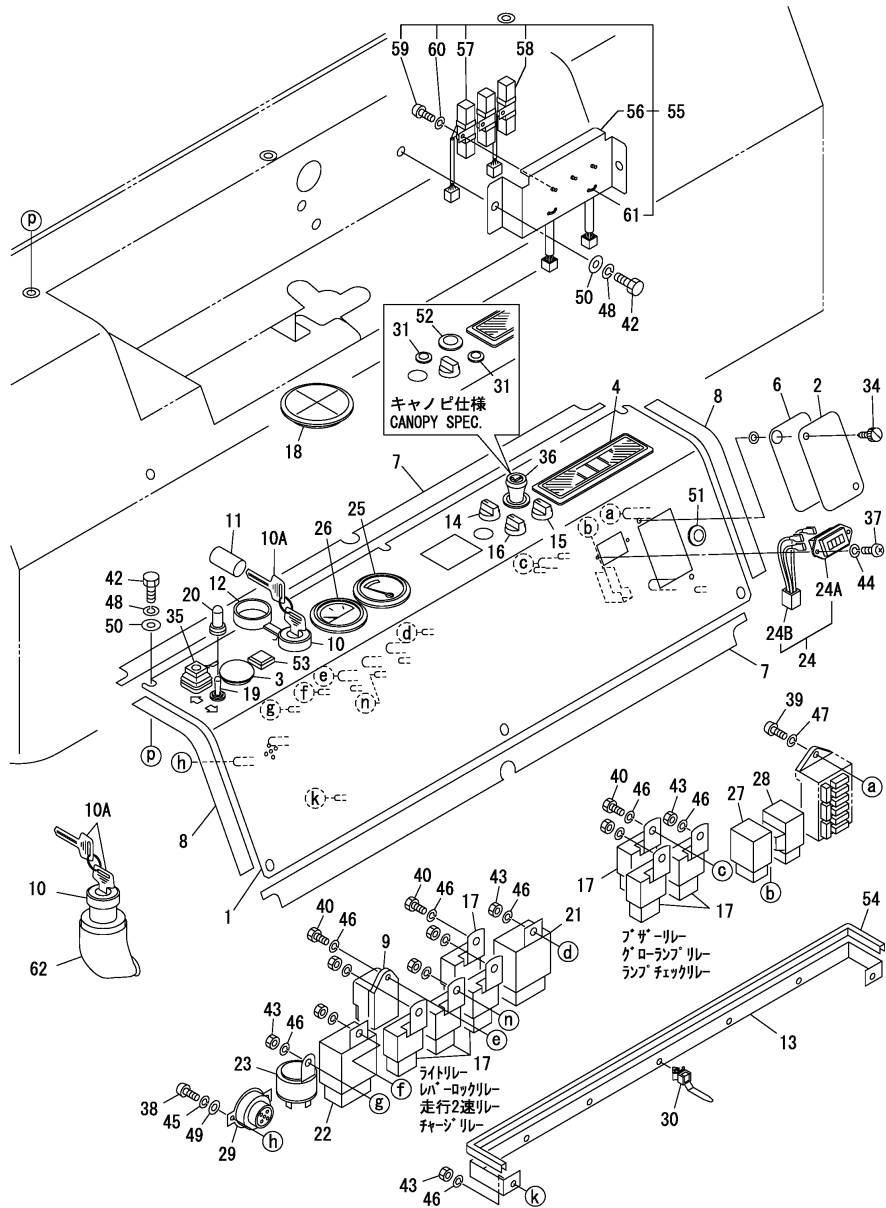
(D)=

(E)=

(F)=

No.	Lev.	Parts No.	Description	Q'ty						I	R
				(A)	(B)	(C)	(D)	(E)	(F)		
1	1	E0871433470	COVER	1							
2	1	E0871433480	COVER	1							
3	1	E1700001211	SWITCH, HORN	1							
4	1	E1730140750	PILOT BOX	1							
6	1	E0871433485	URETHANE	1							
7	1	E0871433240	URETHANE	2							
8	1	E0871433440	URETHANE	2							
9	1	119129-77920	TIMER	1							
10	1	933110-00200	SWITCH ASSY, STARTER	1							
10A	1	933110-00300	KEY	1							
11	1	E1531010004	HOSE, VINYL	1							
12	1	E0870431810	CAP	1							
13	1	E0871433435	PLATE	1							
14	1	E1700000031	SWITCH, HEATER	1							1
15	1	E1700000030	SWITCH, WIPER	1							1
16	1	E1700000032	SWITCH, ROTARY	1							
17	1	E1711900049	RELAY	7							
18	1	E1652060063	BUSHING 60	1							
19	1	E1700100029	SWITCH, TURN SIGNAL	1							
20	1	E1700100030	CAP, RUBBER	1							
21	1	E1700100053	TIMER	1							
22	1	E1700100054	TIMER	1							
23	1	E1711900032	FLASHER RELAY	1							
24	1	E0872433300	METER, HOUR	1							
24A	2	E1730000500	METER, HOUR	1							
24B	2	E0872433350	WIRE HARNESS	1							
25	1	E1730100030	THERMOMETER	1							
26	1	E1730110050	GAUGE, FUEL	1							
27	1	E1730500021	DIODE	1							
28	1	E1730500022	DIODE	1							
29	1	E1703700009	BUZZER	1							
30	1	E1652443640	CLIP	5							
31	1	E1652533019	CAP	2							2
34	1	E1652711696	SCREW	2							
35	1	E1700000027	SWITCH	1							
36	1	E1711900039	LIGHTER, CIGAR	1							1
37	1	E1120530310	SCREW, M3X10	2							
38	1	E1120530412	SCREW	2							
39	1	E1120530516	SCREW, M5X16	2							
40	1	E1100040616	BOLT M 6X 16	2							
42	1	E1100040816	BOLT M 8X 16	8							
43	1	E1130040006	NUT, M6	8							
43A	1	E1130040005	NUT, M5	2							
44	1	E1140020003	WASHER,SPRING M 3	2							
45	1	E1140020004	WASHER,SPRING M 4	2							
46	1	E1140020006	SPRING WASHER 6	13							
47	1	E1140020005	SPRING WASHER 5	2							
48	1	E1140020008	SPRING WASHER 8	8							
49	1	E1141110004	WASHER,PLAIN 4	2							
50	1	E1141110008	WASHER 8	8							
50A	1	E1141110006	WASHER,PLAIN 6	1							

Fig.19. CONTROL BOX



(A)=C50R-3B

(B)=

(C)=

(D)=

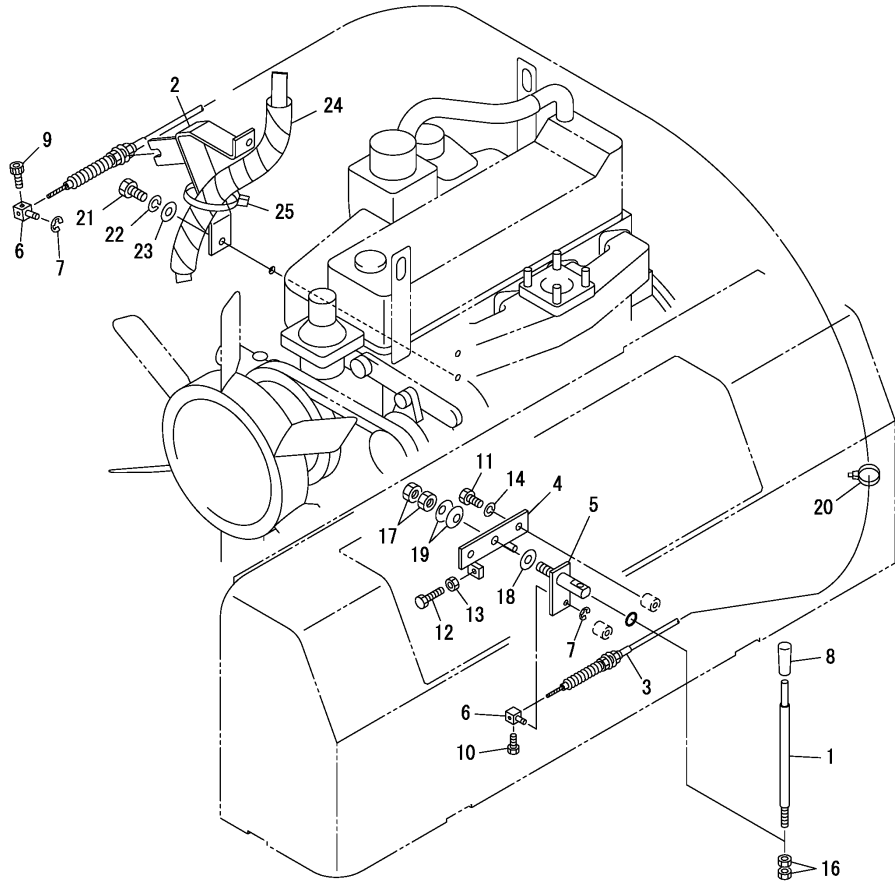
(E)=

(F)=

No.	Lev.	Parts No.	Description	Q'ty						I	R
				(A)	(B)	(C)	(D)	(E)	(F)		
51	1	E1652001401	GROMMET	1							1
51A	1	E1652060022	GROMMET	1							2
52	1	E1652052600	GROMMET	1							2
53	1	E1700550024	OWNERMENT	1							
54	1	E1654613062	GASKET	1							
55	1	E0871433450	RESISTOR ASSY	1							
56	2	E0871433420	COVER	1							
57	2	E0564226840	RESISTOR	1							
58	2	E0564226830	RESISTOR	1							
59	2	E1120530305	SCREW	3							
60	2	E1140020003	WASHER, SPRING M 3	3							
61	2	E1652200003	TIE-LAP	2							
62	1	E0870431820	COVER, TERMINAL	1							

Remarks
 (1)CABIN SPEC.
 (2)CANOPY SPEC.

Fig.20. ENGINE CONTROL



(A)=C50R-3B

(B)=

(C)=

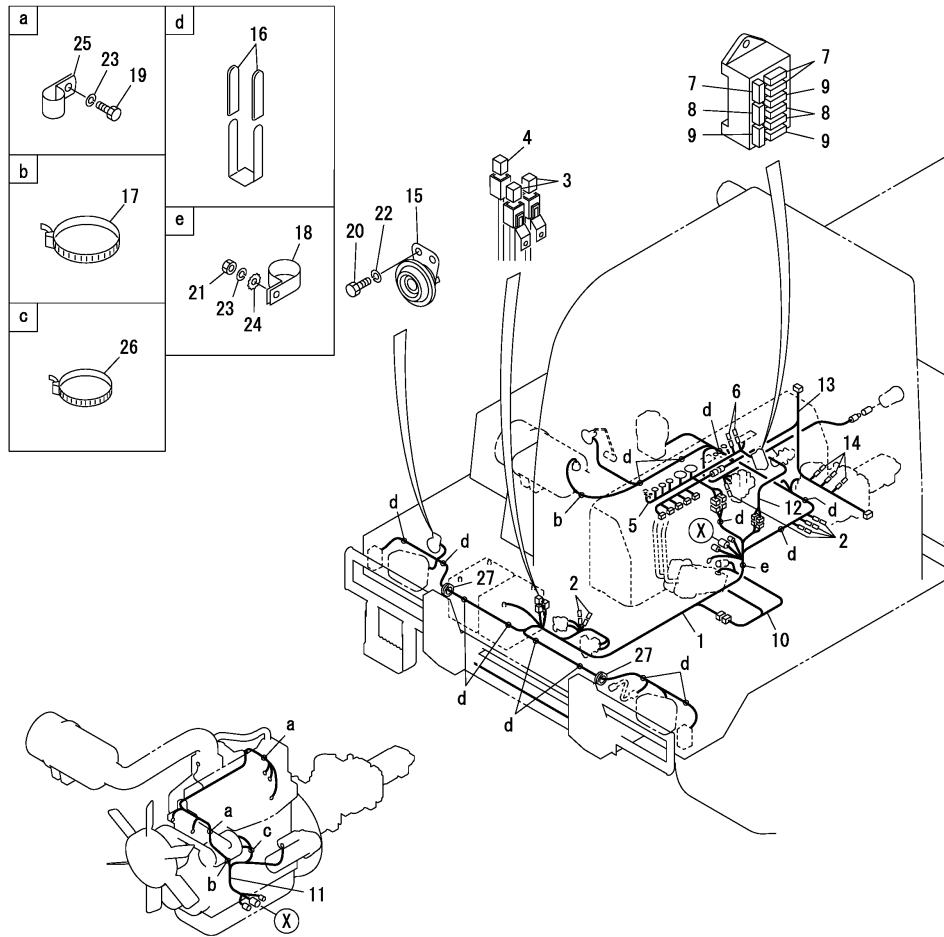
(D)=

(E)=

(F)=

No.	Lev.	Parts No.	Description	Q'ty						I	R
				(A)	(B)	(C)	(D)	(E)	(F)		
1	1	E0871411610	LEVER	1							
2	1	E0871411830	WIRE BRACKET	1							
3	1	E0874410060	WIRE	1							
4	1	E0871411740	PLATE	1							
5	1	E0871411650	BRACKET	1							
6	1	E0007900020	PIN	2							
7	1	E1224010006	E-RING	2							
8	1	E1650132050	GRIP	1							
9	1	E1110040510	SOCKET BOLT M 5X 10	1							
10	1	E1100040510	BOLT M 5X 10	1							
11	1	E1100041020	BOLT M10X 20	2							
12	1	E1100040825	BOLT M 8X25	1							
13	1	E1130040008	NUT, M8	1							
14	1	E1140020010	SPRING WASHER 10	2							
16	1	E1130040010	NUT	2							
17	1	E1130540014	NUT, M14	2							
18	1	E1141550014	WASHER	1							
19	1	E1225120014	SPRING	2							
20	1	E1652231250	TIE-LAP	1							
21	1	E100040820	BOLT	2							
22	1	E1140020008	SPRING WASHER 8	2							
23	1	E0003608252	WASHER	2							
24	1	E1532224015	TUBE	1							
25	1	E1652241150	BAND	1							

Fig.21. ELECTRIC PART



(A)=C50R-3B
(B)=
(C)=

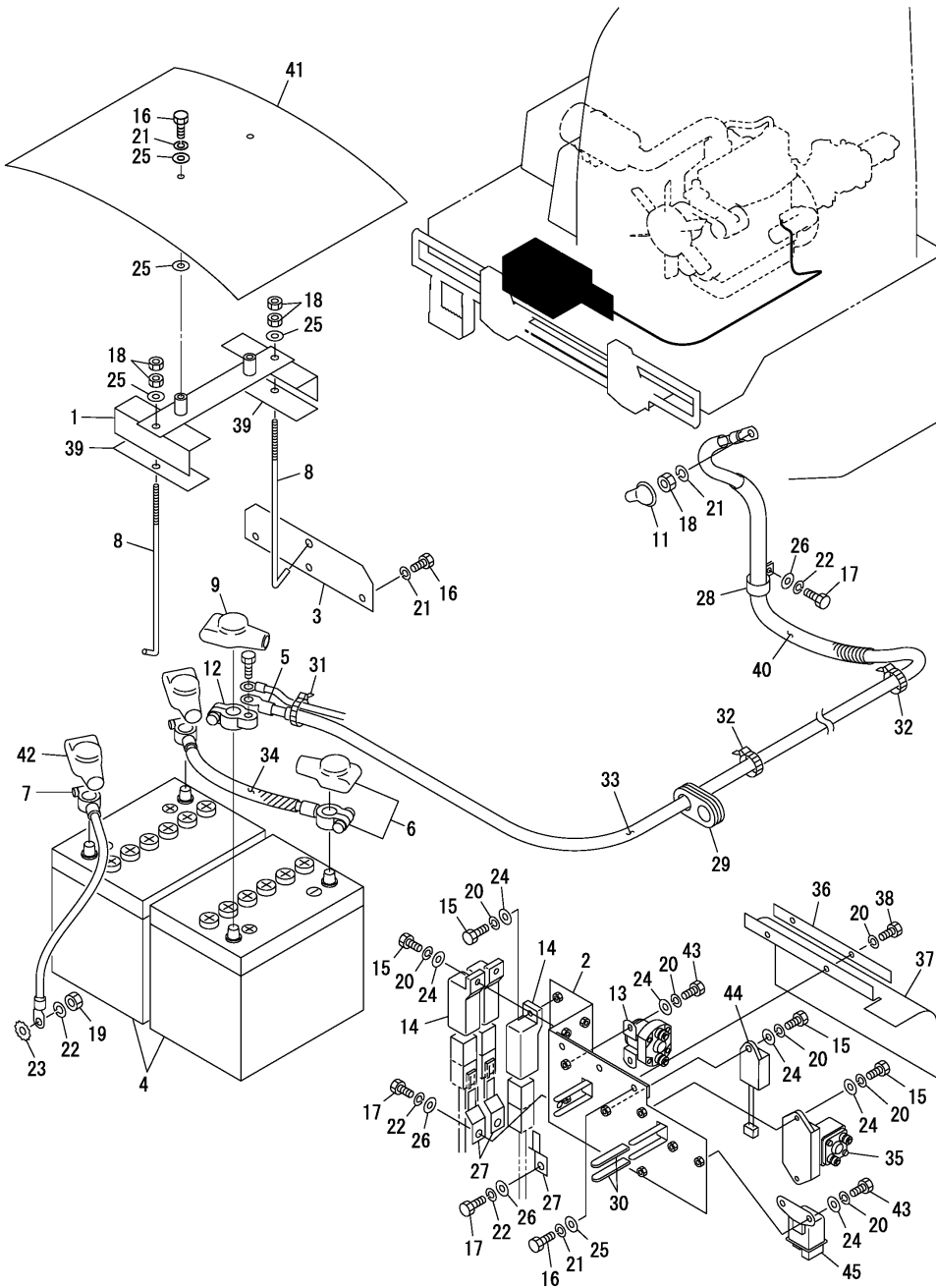
(D)=
(E)=
(F)=

No.	Lev.	Parts No.	Description	Q'ty						I	R
				(A)	(B)	(C)	(D)	(E)	(F)		
1	1	E0871423610	WIRE HARNESS	1							
2	2	E1730500008	DIODE	5							
3	2	E1701330045	LINK 45A, FUSIBLE	2							
4	2	E1701330075	LINK 75A, FUSIBLE	1							
5	1	E0871423620	WIRE HARNESS	1							
6	2	E1730500008	DIODE	1							
7	2	E1701310010	FUSE 10A	3							
8	2	E1701310020	FUSE 20A	3							
9	2	E1701310030	FUSE 30A	3							
10	1	E0871423630	WIRE HARNESS	1							
11	1	E0871423640	WIRE HARNESS	1							
13	1	E0871423510	WIRE HARNESS	1							1
14	2	E1730500008	DIODE	3							
15	1	E1703500624	HORN	1							
16	1	E0872433150	CLAMP, TUBE	30							
17	1	E1652231250	TIE-LAP	2							
18	1	E0007300001	CLAMP	1							
19	1	E1100041016	BOLT M10X16	2							
20	1	E1100040820	BOLT M 8X 20	2							
21	1	E1130040010	NUT	1							
22	1	E1140020008	SPRING WASHER 8	2							
23	1	E1140020010	SPRING WASHER 10	3							
24	1	E1140330010	WASHER, TOOTHED 10	1							
25	1	E0007300035	CLAMP	2							
26	1	E1652231140	TIE-LAP	1							
27	1	E0437200100	GUARD, HOSE	2							

Remarks

(1)CABIN SPEC.

Fig.22. BATTERY



(A)=C50R-3B

(B)=

(C)=

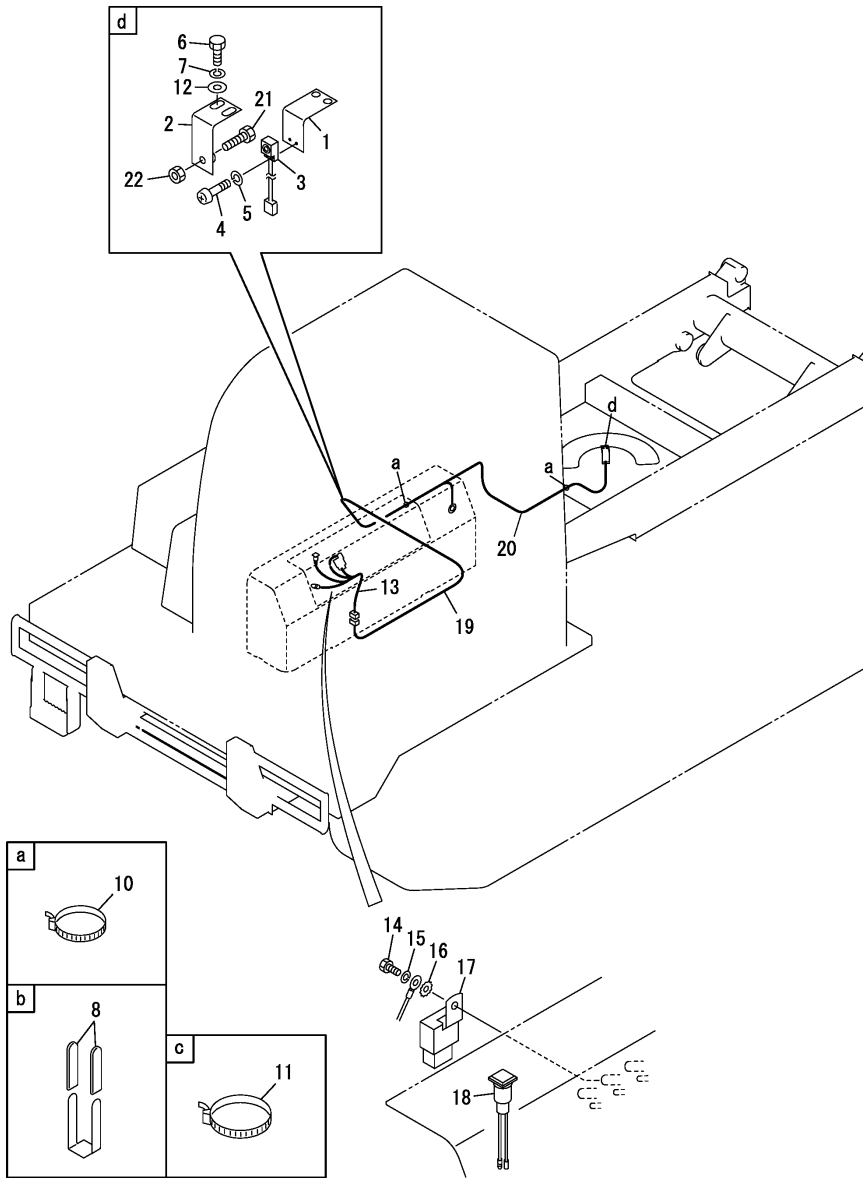
(D)=

(E)=

(F)=

No.	Lev.	Parts No.	Description	Q'ty						I	R
				(A)	(B)	(C)	(D)	(E)	(F)		
1	1	E0871441660	CLAMP, BATTERY	1							
2	1	E0871441710	BRACKET	1							
3	1	E0871441620	BRACKET	1							
4	1	E1702027523	BATTERY	2							
5	1	E1702530220	CABLE, BATTERY	1							
6	1	E1702630030	CABLE, BATTERY	1							
7	1	E1702230020	CABLE, BATTERY EARTH	1							
8	1	E1702108210	BOLT M 8X210	2							
9	1	E1702920060	COVER, TERMINAL	1							
11	1	124550-77030	COVER, TERMINAL	1							
12	1	E1702330000	TERMINAL, BATTERY	1							
13	1	124612-77920	SWITCH	1							
14	1	E1700100038	COVER, WATERPROOF	3							
15	1	E1100040620	BOLT M 6X 20	5							
16	1	E1100040816	BOLT M 8X 16	6							
17	1	E1100041020	BOLT M10X 20	4							
18	1	E1130040008	NUT, M8	5							
19	1	E1130040010	NUT	1							
20	1	E1140020006	SPRING WASHER 6	11							
21	1	E1140020008	SPRING WASHER 8	7							
22	1	E1140020010	SPRING WASHER 10	5							
23	1	E1140330010	WASHER, TOOTHED 10	1							
24	1	E1141110006	WASHER,PLAIN 6	9							
25	1	E1141110008	WASHER 8	8							
26	1	E1141110010	WASHER 10	4							
27	1	E1711900064	CLIP	3							
28	1	E1711900072	CLAMP	1							
29	1	E0337017300	GUARD, HOSE	1							
30	1	E0872433150	CLAMP, TUBE	4							
31	1	E1652231140	TIE-LAP	1							
32	1	E1652201004	TIE-LAP	2							
33	1	E1703221392	TUBE, CORRUGATED	1							
34	1	E1703211320	TUBE, CORRUGATED	1							
35	1	129900-77100	RELAY, SAFETY	1							
36	1	E0871441630	PLATE	1							
37	1	E0871441740	PLATE, RUBBER	1							
38	1	E1100040612	BOLT M 6X12	2							
39	1	E0871441650	PLATE, RUBBER	2							
40	1	E1531325050	HOSE, PROTECT	1							
41	1	E0874440210	SEAT	1							
42	1	E1702910016	COVER, TERMINAL	1							
43	1	E1100040612	BOLT M 6X12	4							
44	1	129612-77920	TIMER	1							
45	1	129612-77910	RELAY, GROW	1							

Fig.23. VESSEL CENTER LAMP

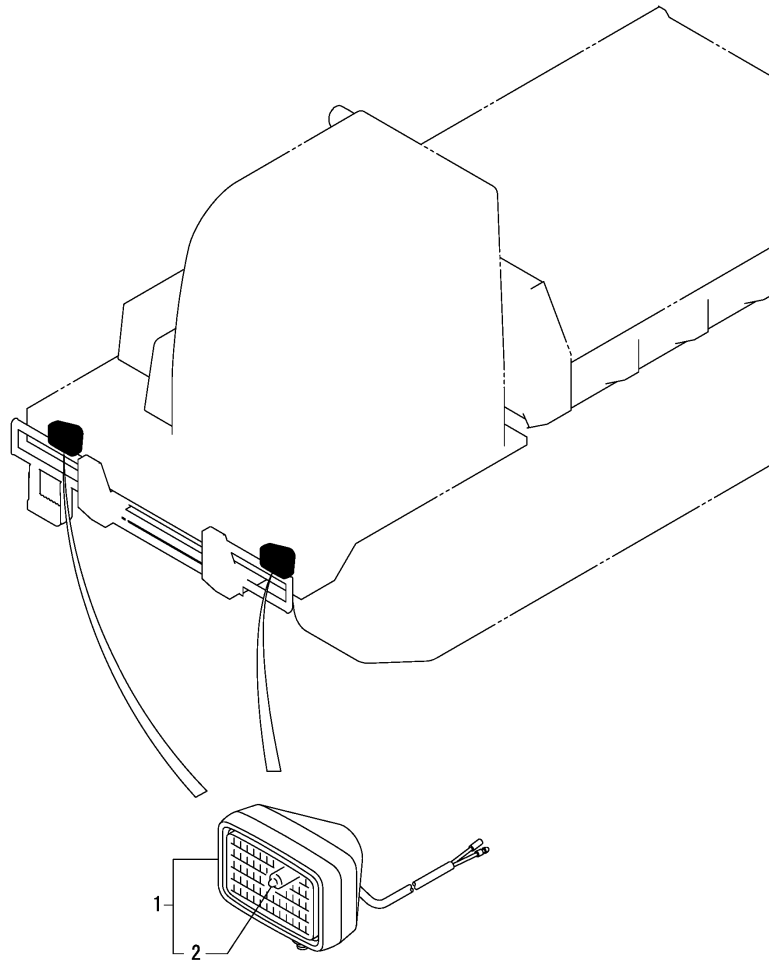


(A)=C50R-3B
(B)=
(C)=

(D)=
(E)=
(F)=

No.	Lev.	Parts No.	Description	Q'ty						I	R
				(A)	(B)	(C)	(D)	(E)	(F)		
1	1	E0871423430	BRACKET	1							
2	1	E0871423460	BRACKET	1							
3	1	E1700009010	SWITCH	1							
4	1	E1120530314	SCREW	2							
5	1	E1140020003	WASHER,SPRING M 3	2							
6	1	E1100040820	BOLT M 8X 20	2							
7	1	E1140020008	SPRING WASHER 8	2							
8	1	E0872433150	CLAMP, TUBE	4							
10	1	E1652231100	TIE-LAP	2							
11	1	E1652231140	TIE-LAP	1							
12	1	E1141110008	WASHER 8	2							
13	1	E0871423410	WIRE HARNESS	1							
14	1	E1100040616	BOLT M 6X 16	1							
15	1	E1140020006	SPRING WASHER 6	1							
16	1	E1140330006	WASHER(TOOTHED)	1							
17	1	E1711900049	RELAY	1							
18	1	E1700550025	LAMP	1							
19	1	E0871423420	WIRE HARNESS	1							
20	1	E0874420140	WIRE HARNESS	1							
21	1	E1100040825	BOLT M 8X25	1							
22	1	E1130040008	NUT, M8	1							

Fig.24. HEAD LIGHT

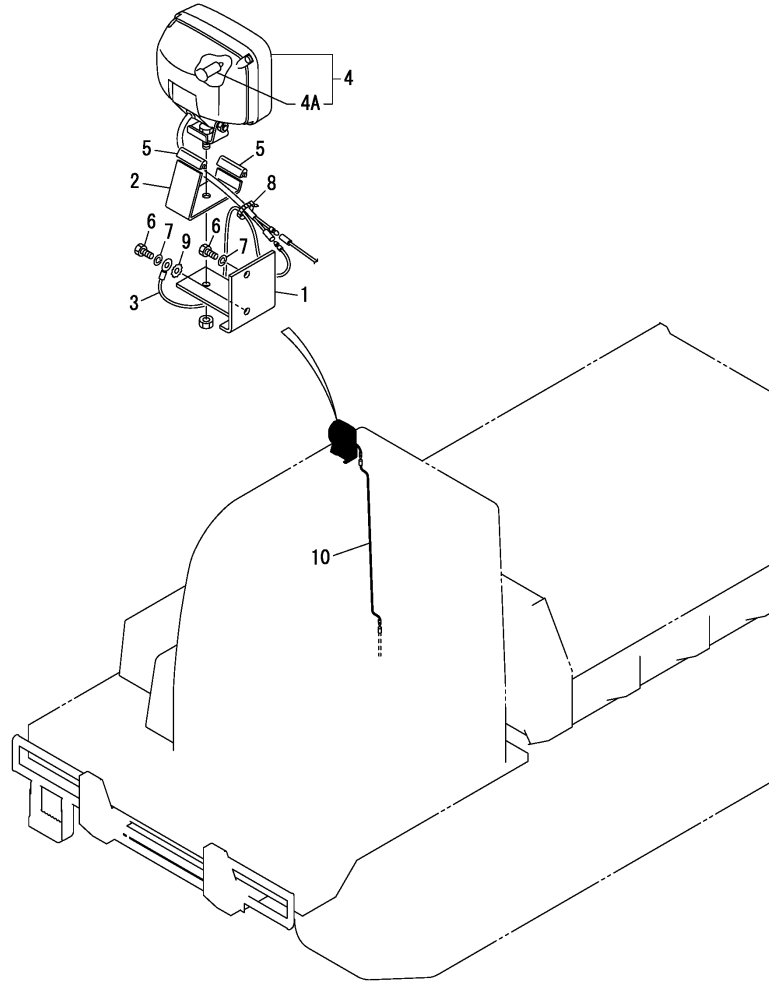


(A)=C50R-3B
(B)=
(C)=

(D)=
(E)=
(F)=

No.	Lev.	Parts No.	Description	Q'ty						I	R
				(A)	(B)	(C)	(D)	(E)	(F)		
1	1	E1703005400	HEAD LIGHT	2							
2	2	E1703005405	BULB	1							

Fig.25. BACK LIGHT

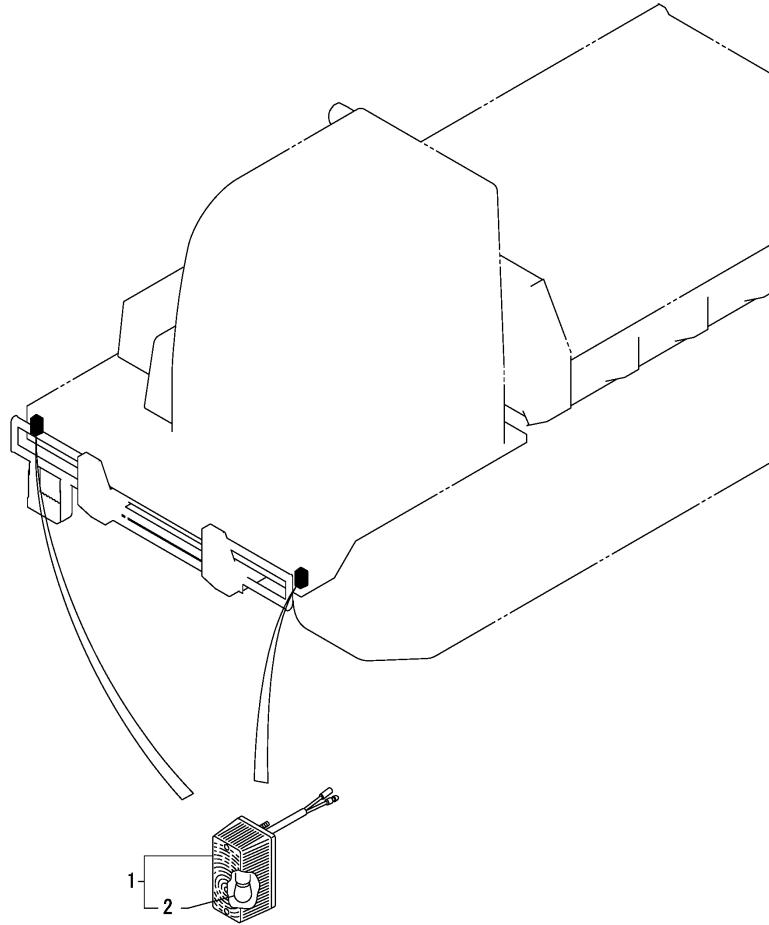


(A)=C50R-3B
(B)=
(C)=

(D)=
(E)=
(F)=

No.	Lev.	Parts No.	Description	Q'ty						I	R
				(A)	(B)	(C)	(D)	(E)	(F)		
1	1	E0874490220	PLATE	1							
2	1	E0872494020	PLATE	1							
3	1	E0872494030	WIRE HARNESS	1							
4	1	E1703004800	WARKING LIGHT	1							
4A	2	E1703004806	BULB	1							
5	1	E1654613035	PACKING,RUBBER	2							
6	1	E1100040812	BOLT M 8X12	2							
7	1	E1140020008	SPRING WASHER 8	2							
8	1	E1652241300	TIE-LAP	1							
9	1	E1140330008	WASHER, TOOTHED 8	1							
10	1	E0871490210	WIRE HARNESS	1							

Fig.26. TURN SIGNAL LAMP

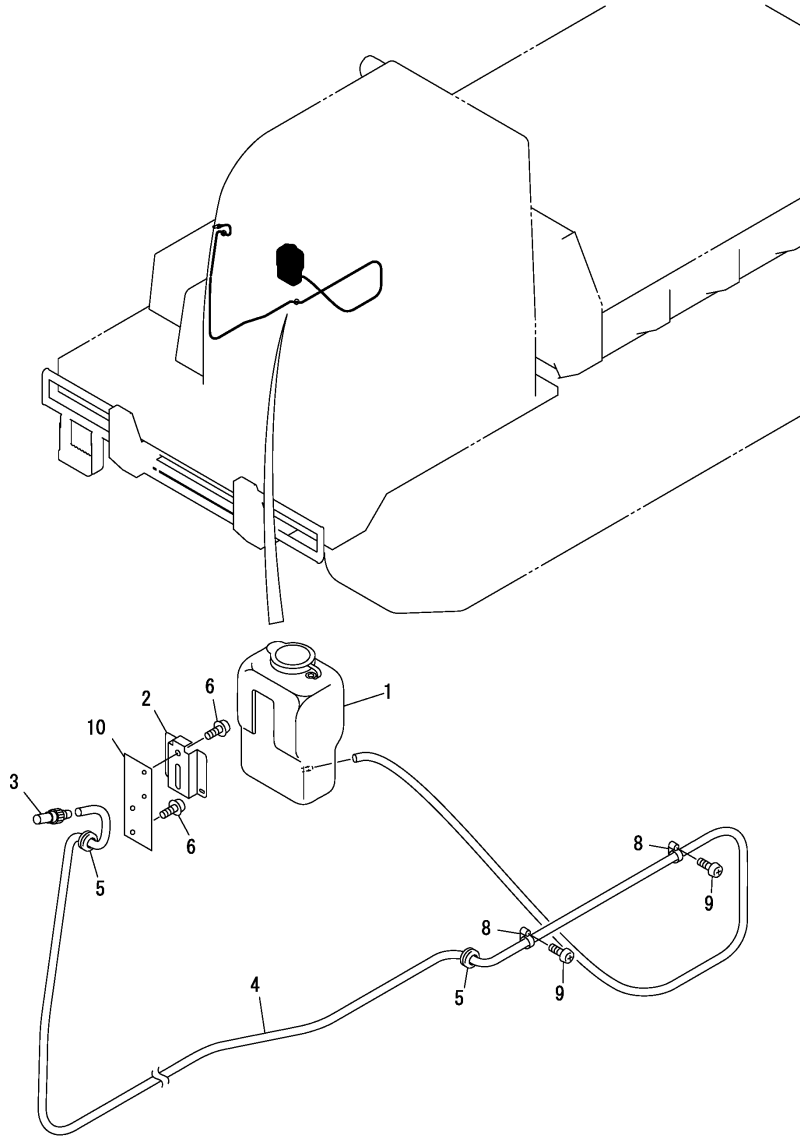


(A)=C50R-3B
(B)=
(C)=

(D)=
(E)=
(F)=

No.	Lev.	Parts No.	Description	Q'ty						I	R
				(A)	(B)	(C)	(D)	(E)	(F)		
1	1	E1703001120	TURN SIGNAL	2							
2	2	E1703001122	BULB	1							

Fig.27. WIND WASHER



No.	Lev.	Parts No.	Description	Q'ty						I	R
				(A)	(B)	(C)	(D)	(E)	(F)		
1	1	E1711910061	TANK, WASHER	1							
2	1	E1711910062	BRACKET	1							
3	1	E1711910040	NOZZLE	1							
4	1	E1711910063	HOSE	1							
5	1	E1652001002	GROMMET	2							
6	1	E1150110614	SCREW	4							
8	1	E1652221050	CLAMP	2							
9	1	E1120590512	SCREW, M5X12	2							
10	1	E0871891100	PLATE	1							W

(A=M45569)

Fig.30. VALVE

(A)=C50R-3B

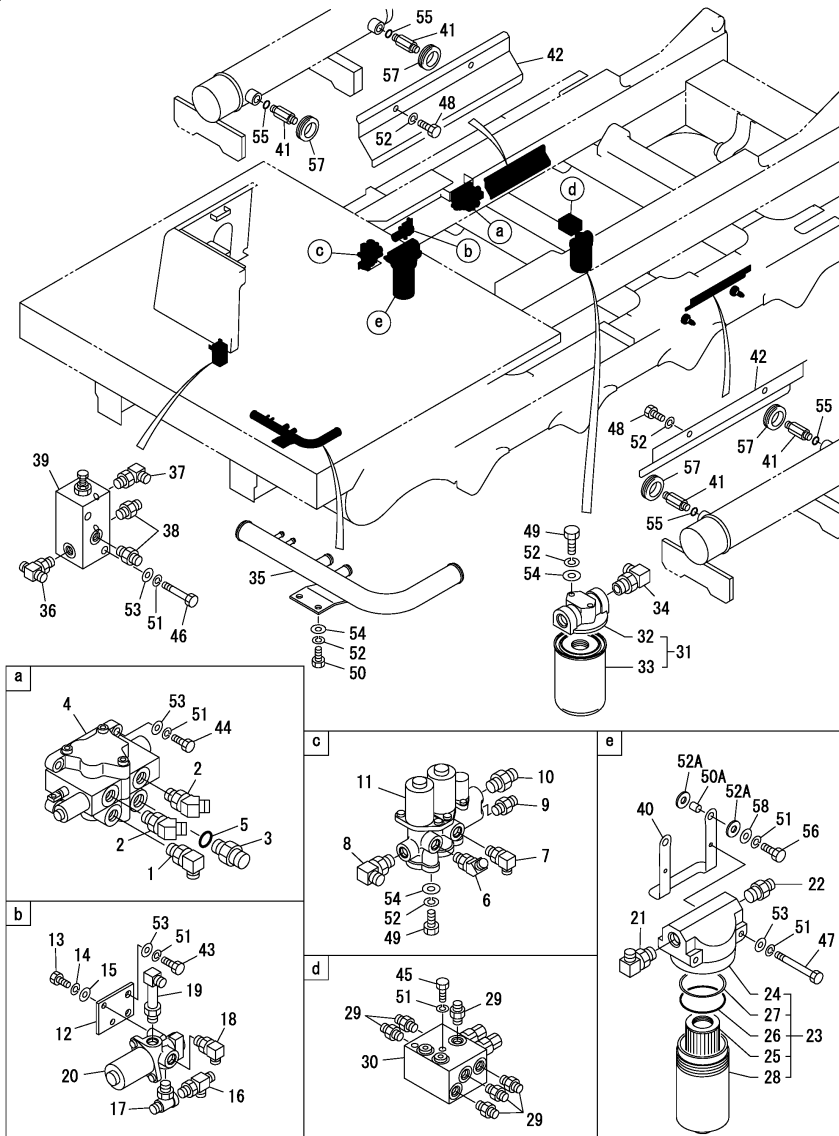
(B)=

(C)=

(D)=

(E)=

(F)=

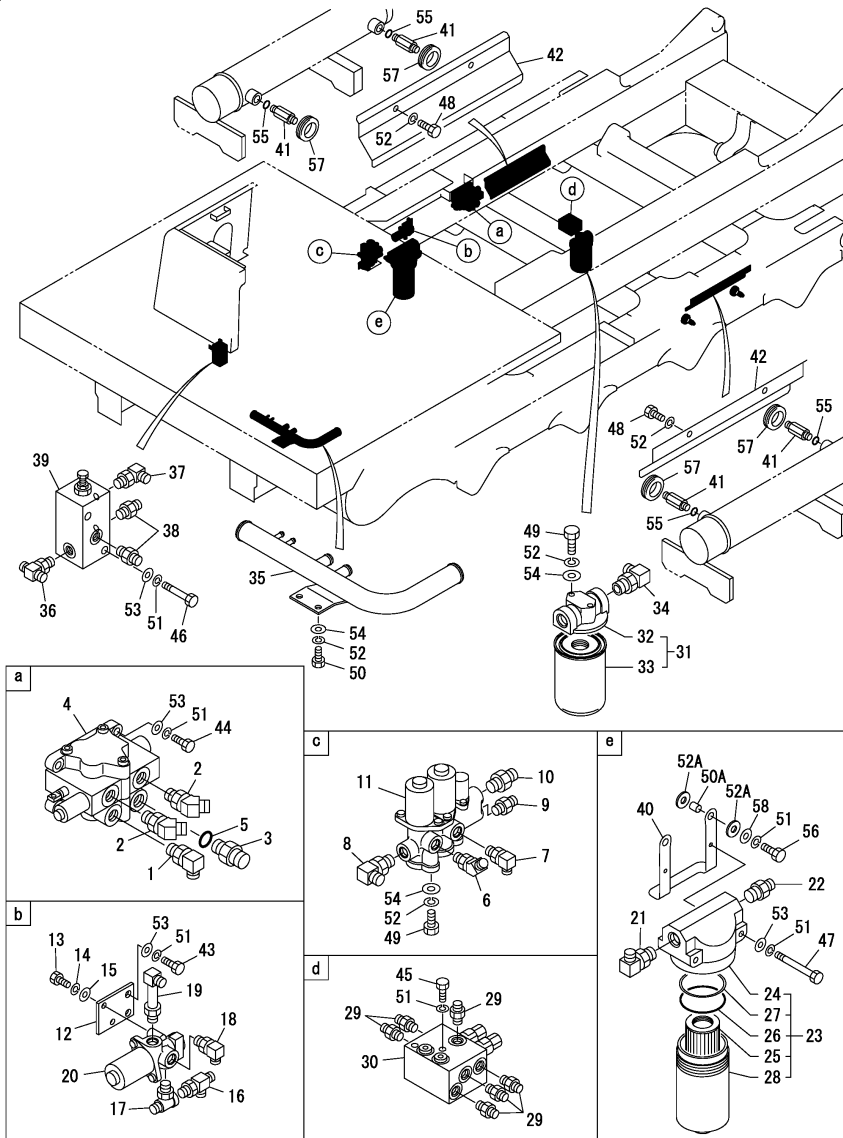


No.	Lev.	Parts No.	Description	Q'ty						I	R
				(A)	(B)	(C)	(D)	(E)	(F)		
1	1	E1515010041	ELBOW	1							
2	1	E15150100111	ELBOW	2							
3	1	E0007203064	ADAPTER, HOSE	1							
4	1	E1901041100	VALVE ASSY,CONTROL(2	1							1
5	1	E1420010180	O-RING	1							
6	1	E15150100110	ELBOW	1							
7	1	E1515012040	ELBOW	1							
8	1	E1515010041	ELBOW	1							
9	1	E1515600200	UNION	1							
10	1	E1515600201	UNION	1							
11	1	E1901738900	SOLENOID VALVE	1							2
12	1	E0871500531	PLATE	1							
13	1	E1100040614	BOLT M 6X 14	2							
14	1	E1140020006	SPRING WASHER 6	2							
15	1	E1141110006	WASHER,PLAIN 6	2							
16	1	E1512373007	NIPPLE	1							
17	1	E1513390029	NIPPLE	1							
18	1	E1515012040	ELBOW	1							
19	1	E1515012510	ELBOW	1							
20	1	E1901739600	VALVE ASSY, SOLENOID	1							3
21	1	E1515010053	ELBOW	1							
22	1	E1515600579	ADAPTER UNION	1							
23	1	E1551102800	FILTER	1							
24	2	E1551102801	BODY	1							
25	2	E1551102802	FILTER	1							
26	2	E1420000950	O-RING	1							
27	2	E1421030950	BUCKUP RING	1							
28	2	E1551102805	COVER	1							
29	1	E1515600200	UNION	6							
30	1	E1901739400	VALVE ASSY	1							4
31	1	E1551000300	FILTER	1							
32	2	E1551000310	BODY	1							
33	2	E1551000320	CARTRIDGE	1							
34	1	E1511150610	ADAPTER, HOSE	1							
35	1	E0871500875	PIPE	1							
36	1	E1512370010	NIPPLE	1							
37	1	E1515012040	ELBOW	1							
38	1	E1515600200	UNION	2							
39	1	E1901740300	VALVE	1							5
40	1	E0874502111	BRACKET	1							
41	1	E0007203034	ADAPTER, HOSE	4							
42	1	E0870703050	PLATE	2							
43	1	E1100040820	BOLT M 8X 20	2							
44	1	E1100040830	BOLT M 8X 30	3							
45	1	E1100040860	BOLT M 8X60	2							
46	1	E1100040865	BOLT M 8X 65	2							
47	1	E1100040895	BOLT M 8X95	2							
48	1	E1100041014	BOLT M10X 14	4							
49	1	E1100041020	BOLT M10X 20	2							
50	1	E1100041025	BOLT M10X 25	2							
50A	1	E0874502113	PIN	2							

Remarks

- (1)COMPONENT PARTS:REFER TO FIG.75.
- (2)COMPONENT PARTS:REFER TO FIG.83.
- (3)COMPONENT PARTS:REFER TO FIG.82.
- (4)COMPONENT PARTS:REFER TO FIG.81.
- (5)COMPONENT PARTS:REFER TO FIG.84.

Fig.30. VALVE



(A)=C50R-3B

(B)=

(C)=

(D)=

(E)=

(F)=

No.	Lev.	Parts No.	Description	Q'ty						I	R
				(A)	(B)	(C)	(D)	(E)	(F)		
51	1	E1140020008	SPRING WASHER 8	11							
52	1	E1140020010	SPRING WASHER 10	10							
52A	1	E0874502112	CUSHION	4							
53	1	E1141110008	WASHER 8	9							
54	1	E1141110010	WASHER 10	4							
55	1	E1420010110	O-RING	4							
56	1	E1100040835	BOLT M 8X35	2							
57	1	E1652022506	GROMMET	4							
58	1	E0003608003	WASHER	2							

Remarks

- (1) COMPONENT PARTS: REFER TO FIG.75.
- (2) COMPONENT PARTS: REFER TO FIG.83.
- (3) COMPONENT PARTS: REFER TO FIG.82.
- (4) COMPONENT PARTS: REFER TO FIG.81.
- (5) COMPONENT PARTS: REFER TO FIG.84.

Fig.31. VALVE(TURNING)

(A)=C50R-3B

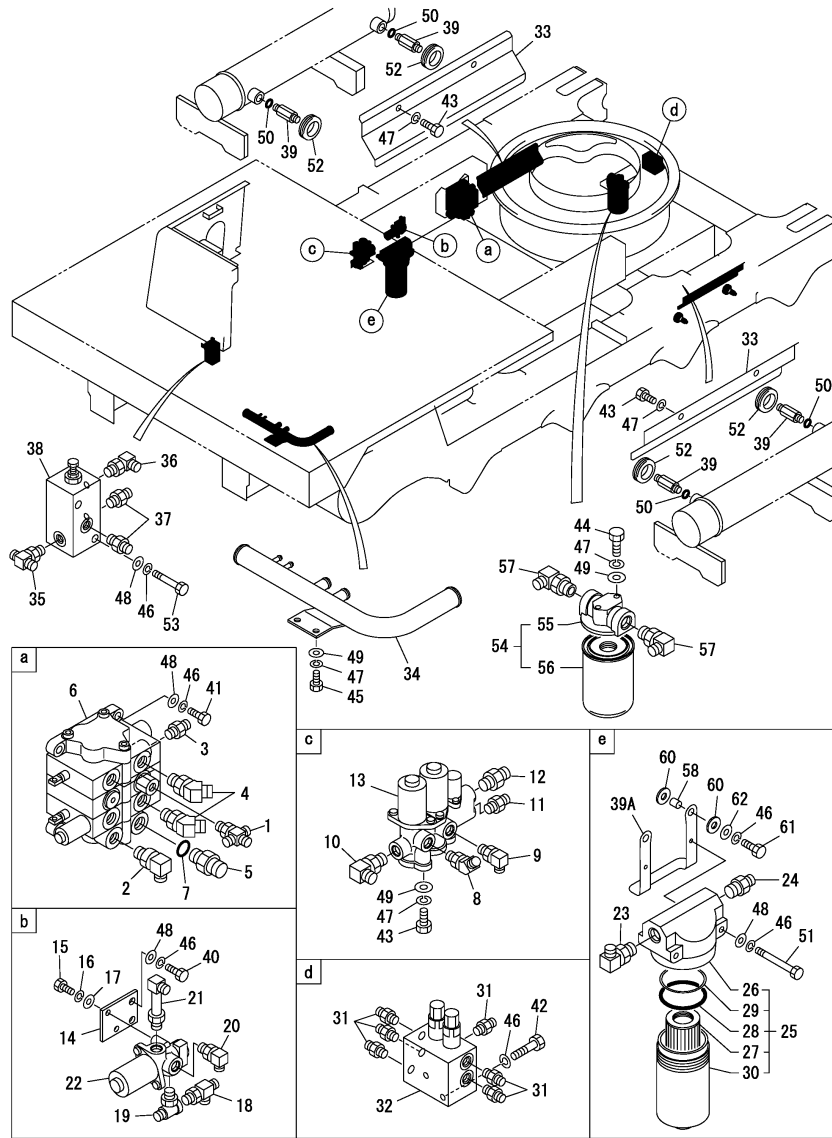
(B)=

(C)=

(D)=

(E)=

(F)=

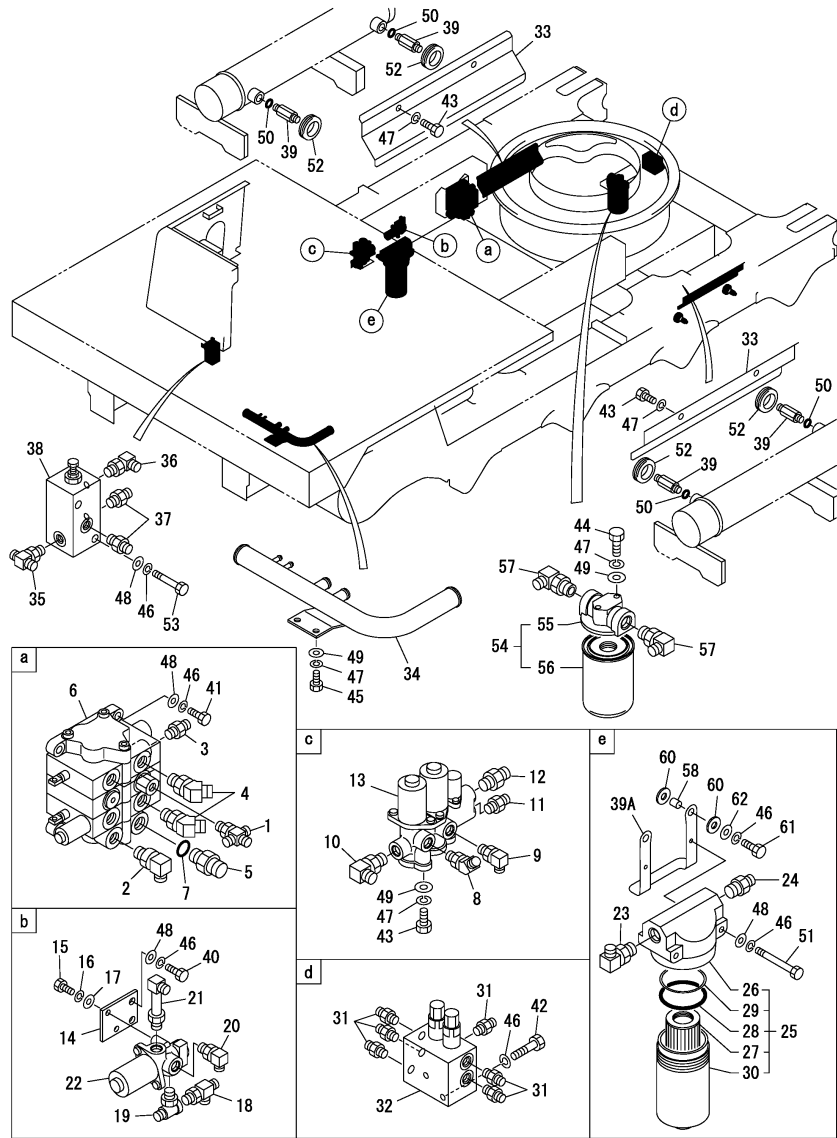


No.	Lev.	Parts No.	Description	Q'ty						I	R
				(A)	(B)	(C)	(D)	(E)	(F)		
1	1	E1513390027	CROSS	1							
2	1	E1515010041	ELBOW	1							
3	1	E1515600200	UNION	1							
4	1	E1515100111	ELBOW	4							
5	1	E0007203064	ADAPTER, HOSE	1							
6	1	E1901041200	VALVE ASSY,CONTROL(4	1							1
7	1	E1420010180	O-RING	1							
8	1	E1515100110	ELBOW	1							
9	1	E1515012040	ELBOW	1							
10	1	E1515010041	ELBOW	1							
11	1	E1515600200	UNION	1							
12	1	E1515600201	UNION	1							
13	1	E1901738900	SOLENOID VALVE	1							2
14	1	E0871500531	PLATE	1							
15	1	E1100040614	BOLT M 6X 14	2							
16	1	E1140020006	SPRING WASHER 6	2							
17	1	E1141110006	WASHER,PLAIN 6	2							
18	1	E1512373007	NIPPLE	1							
19	1	E1513390029	NIPPLE	1							
20	1	E1515012040	ELBOW	1							
21	1	E1515012510	ELBOW	1							
22	1	E1901739600	VALVE ASSY, SOLENOID	1							3
23	1	E1515010053	ELBOW	1							
24	1	E1515600579	ADAPTER UNION	1							
25	1	E1551102800	FILTER	1							
26	2	E1551102801	BODY	1							
27	2	E1551102802	FILTER	1							
28	2	E1420000950	O-RING	1							
29	2	E1421030950	BUCKUP RING	1							
30	2	E1551102805	COVER	1							
31	1	E1515600200	UNION	6							
32	1	E1901739400	VALVE ASSY	1							4
33	1	E0870703050	PLATE	2							
34	1	E0871500875	PIPE	1							
35	1	E1512370010	NIPPLE	1							
36	1	E1515012040	ELBOW	1							
37	1	E1515600200	UNION	2							
38	1	E1901740300	VALVE	1							5
39	1	E0007203034	ADAPTER, HOSE	4							
39A	1	E0874502111	BRACKET	1							
40	1	E1100040820	BOLT M 8X 20	2							
41	1	E1100040830	BOLT M 8X 30	3							
42	1	E1100040860	BOLT M 8X60	2							
43	1	E1100041014	BOLT M10X 14	6							
44	1	E1100041035	BOLT M10X 35	2							
45	1	E1100041025	BOLT M10X 25	2							
46	1	E1140020008	SPRING WASHER 8	11							
47	1	E1140020010	SPRING WASHER 10	10							
48	1	E1141110008	WASHER 8	9							
49	1	E1141110010	WASHER 10	6							
50	1	E1420010110	O-RING	4							

Remarks

- (1)COMPONENT PARTS:REFER TO FIG.74.
- (2)COMPONENT PARTS:REFER TO FIG.83.
- (3)COMPONENT PARTS:REFER TO FIG.82.
- (4)COMPONENT PARTS:REFER TO FIG.81.
- (5)COMPONENT PARTS:REFER TO FIG.84.

Fig.31. VALVE(TURNING)



(A)=C50R-3B

(B)=

(C)=

(D)=

(E)=

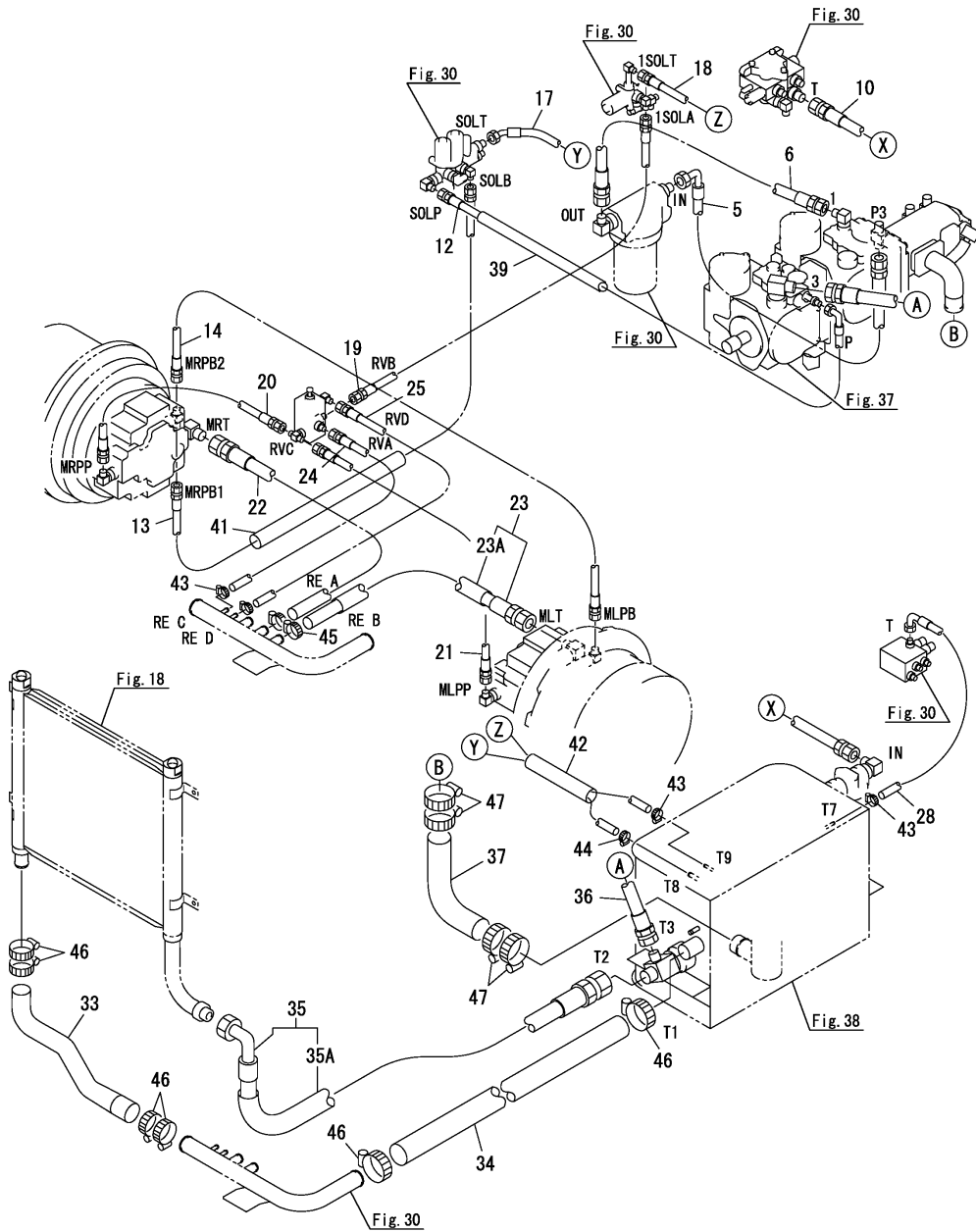
(F)=

No.	Lev.	Parts No.	Description	Q'ty						I	R
				(A)	(B)	(C)	(D)	(E)	(F)		
51	1	E1100040895	BOLT M 8X95	2							
52	1	E1652022506	GROMMET	4							
53	1	E1100040865	BOLT M 8X 65	2							
54	1	E1551000300	FILTER	1							
55	2	E1551000310	BODY	1							
56	2	E1551000320	CARTRIDGE	1							
57	1	E1511150610	ADAPTER, HOSE	2							
58	1	E0874502113	PIN	2							
60	1	E0874502112	CUSHION	4							
61	1	E1100040835	BOLT M 8X35	2							
62	1	E0003608003	WASHER	2							

Remarks

- (1)COMPONENT PARTS:REFER TO FIG.74.
- (2)COMPONENT PARTS:REFER TO FIG.83.
- (3)COMPONENT PARTS:REFER TO FIG.82.
- (4)COMPONENT PARTS:REFER TO FIG.81.
- (5)COMPONENT PARTS:REFER TO FIG.84.

Fig.32. HYD.OIL PIPING(1)



(A)=C50R-3B

(B)=

(C)=

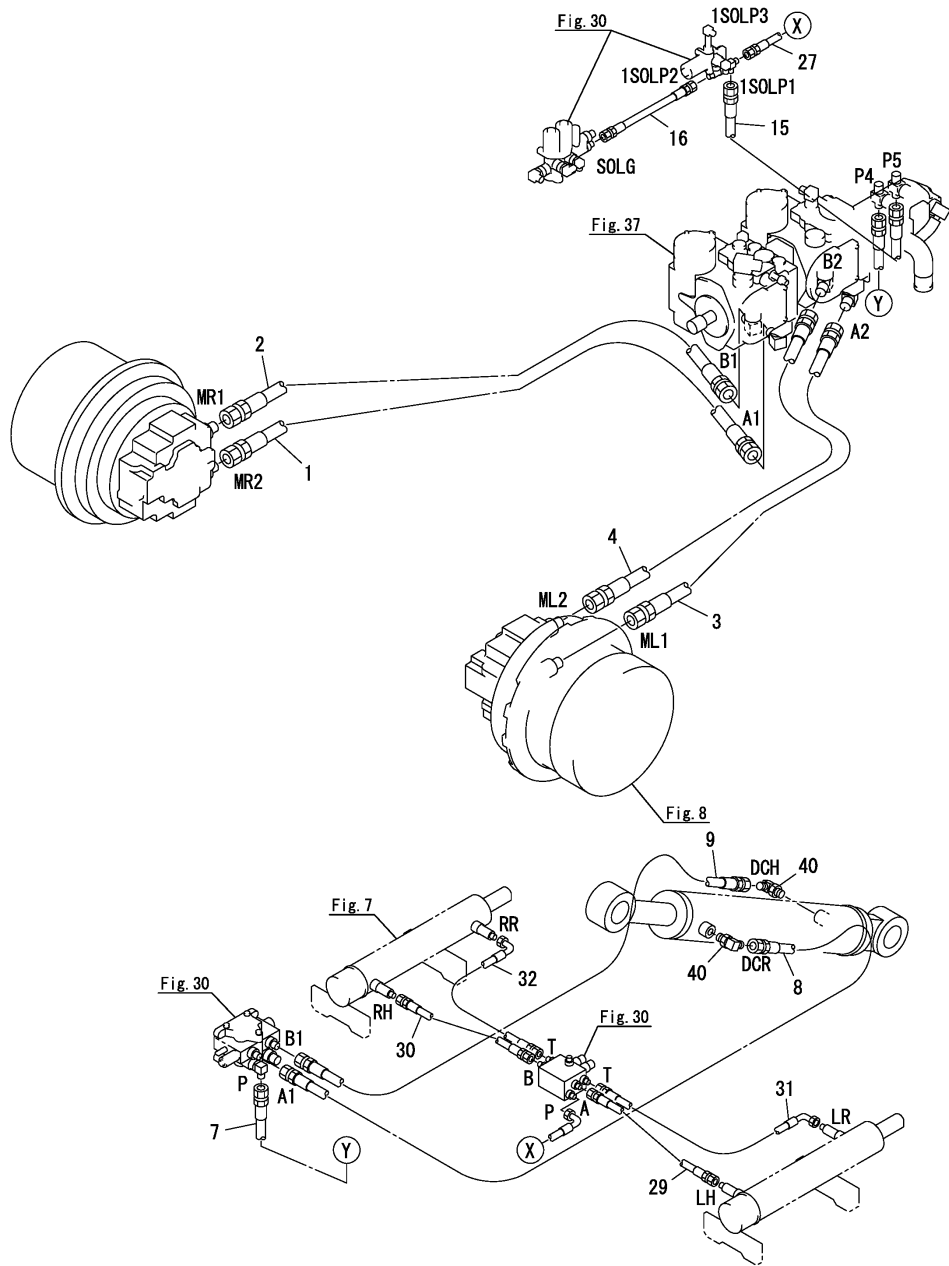
(D)=

(E)=

(F)=

No.	Lev.	Parts No.	Description	Q'ty						I	R
				(A)	(B)	(C)	(D)	(E)	(F)		
5	1	E0871707550	HOSE	1							
6	1	E0871707560	HOSE	1							
10	1	E0871707600	HOSE	1							
12	1	E0871707620	HOSE	1							
13	1	E0871707630	HOSE	1							
14	1	E0871707640	HOSE	1							
17	1	E0871707670	HOSE	1							
18	1	E0871707680	HOSE	1							
19	1	E0871707690	HOSE	1							
20	1	E0871707700	HOSE	1							
21	1	E0871707710	HOSE	1							
22	1	E0871707720	HOSE	1							
23	1	E0871707730	HOSE	1							
23A	2	E1532224030	TUBE, SPIRAL	1							
24	1	E0871707740	HOSE	1							
25	1	E0871707750	HOSE	1							
28	1	E0871707780	HOSE	1							
33	1	E0874701510	HOSE	1							
34	1	E1530538114	HOSE	1							
35	1	E0874701520	HOSE	1							
35A	2	E1532224100	PROTECTOR	1							
36	1	E0871707860	HOSE	1							
37	1	E0357007350	HOSE	1							
39	1	E1531325040	PROTECTOR	1							
41	1	E1531335050	HOSE	1							
42	1	E1531335020	HOSE, PROTECT	1							
43	1	E1533700013	CLIP, HOSE	4							
44	1	E1533700019	CLIP, HOSE	1							
45	1	E1533700035	CLIP, HOSE	2							
46	1	E1533700054	CLIP, HOSE	6							
47	1	E1533700060	CLIP, HOSE	4							

Fig.33. HYD.OIL PIPING(2)

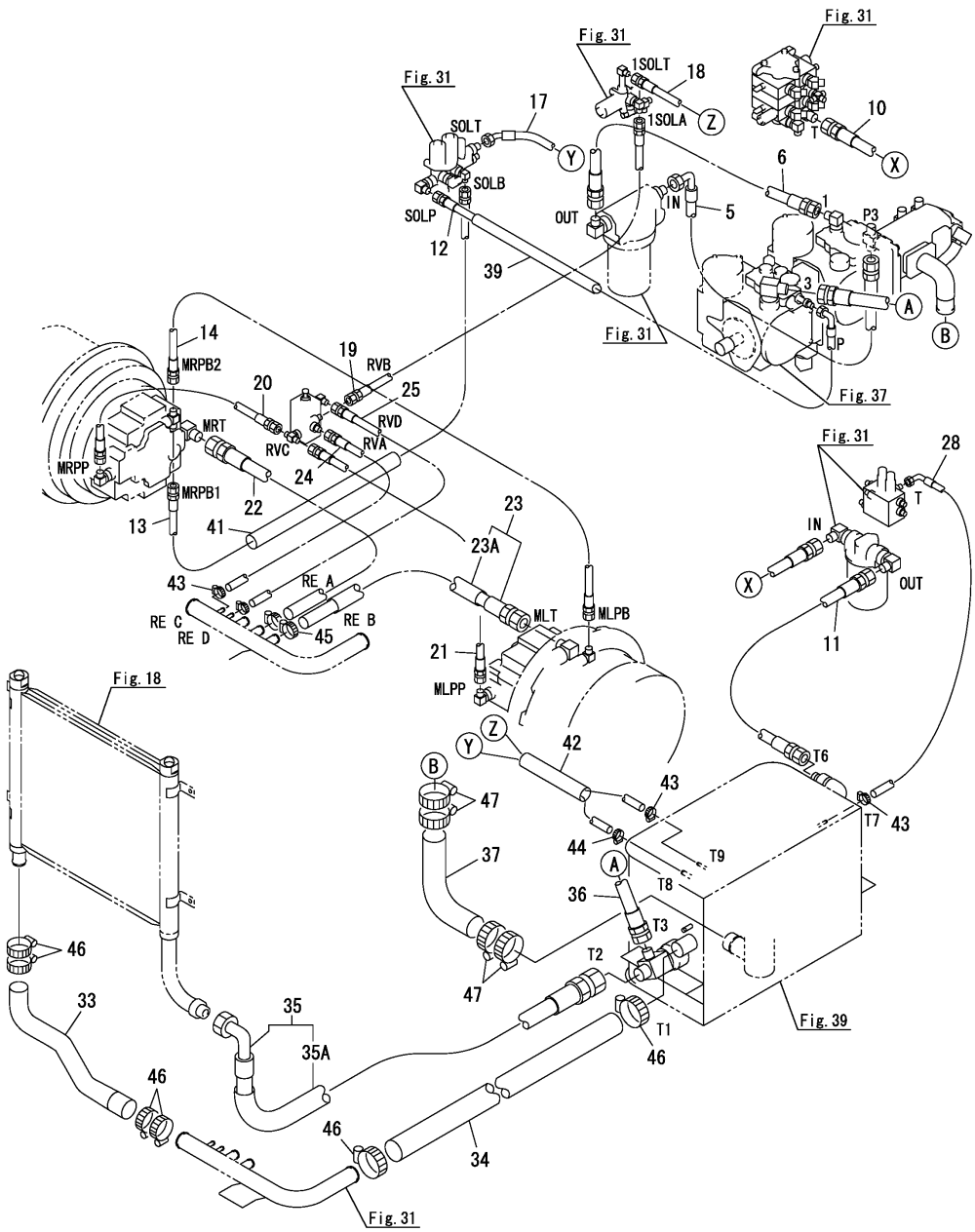


(A)=C50R-3B
(B)=
(C)=

(D)=
(E)=
(F)=

No.	Lev.	Parts No.	Description	Q'ty						I	R
				(A)	(B)	(C)	(D)	(E)	(F)		
1	1	E0871707510	HOSE, HIGH PRESSURE	1							
2	1	E0871707520	HOSE, HIGH PRESSURE	1							
3	1	E0871707530	HOSE, HIGH PRESSURE	1							
4	1	E0871707540	HOSE, HIGH PRESSURE	1							
7	1	E0871707570	HOSE, HIGH PRESSURE	1							
8	1	E0871707580	HOSE, HIGH PRESSURE	1							
9	1	E0871707590	HOSE, HIGH PRESSURE	1							
15	1	E0871707650	HOSE	1							
16	1	E0871707660	HOSE	1							
27	1	E0871707770	HOSE	1							
29	1	E0871707790	HOSE, HIGH PRESSURE	1							
30	1	E0871707800	HOSE, HIGH PRESSURE	1							
31	1	E0871707810	HOSE	1							
32	1	E0871707820	HOSE	1							
40	1	E1515010041	ELBOW	2							

Fig.34. HYD.OIL PIPING(1)(TURNING)



(A)=C50R-3B

(B)=

(C)=

(D)=

(E)=

(F)=

No.	Lev.	Parts No.	Description	Q'ty						I	R
				(A)	(B)	(C)	(D)	(E)	(F)		
5	1	E0871707550	HOSE	1							
6	1	E0871707560	HOSE	1							
10	1	E0871706310	HOSE	1							
11	1	E0871706320	HOSE	1							
12	1	E0871707620	HOSE	1							
13	1	E0871707630	HOSE	1							
14	1	E0871707640	HOSE	1							
17	1	E0871707670	HOSE	1							
18	1	E0871707680	HOSE	1							
19	1	E0871707690	HOSE	1							
20	1	E0871707700	HOSE	1							
21	1	E0871707710	HOSE	1							
22	1	E0871707720	HOSE	1							
23	1	E0871707730	HOSE	1							
23A	2	E1532224030	TUBE, SPIRAL	1							
24	1	E0871707740	HOSE	1							
25	1	E0871707750	HOSE	1							
28	1	E0871706260	HOSE	1							
33	1	E0874701510	HOSE	1							
34	1	E1530538114	HOSE	1							
35	1	E0874701520	HOSE	1							
35A	2	E1532224100	PROTECTOR	1							
36	1	E0871707860	HOSE	1							
37	1	E0357007350	HOSE	1							
39	1	E1531325040	PROTECTOR	1							
41	1	E1531335050	HOSE	1							
42	1	E1531335020	HOSE, PROTECT	1							
43	1	E1533700013	CLIP, HOSE	4							
44	1	E1533700019	CLIP, HOSE	1							
45	1	E1533700035	CLIP, HOSE	2							
46	1	E1533700054	CLIP, HOSE	6							
47	1	E1533700060	CLIP, HOSE	4							

Fig.35. HYD.OIL PIPING(2)(TURNING)

(A)=C50R-3B

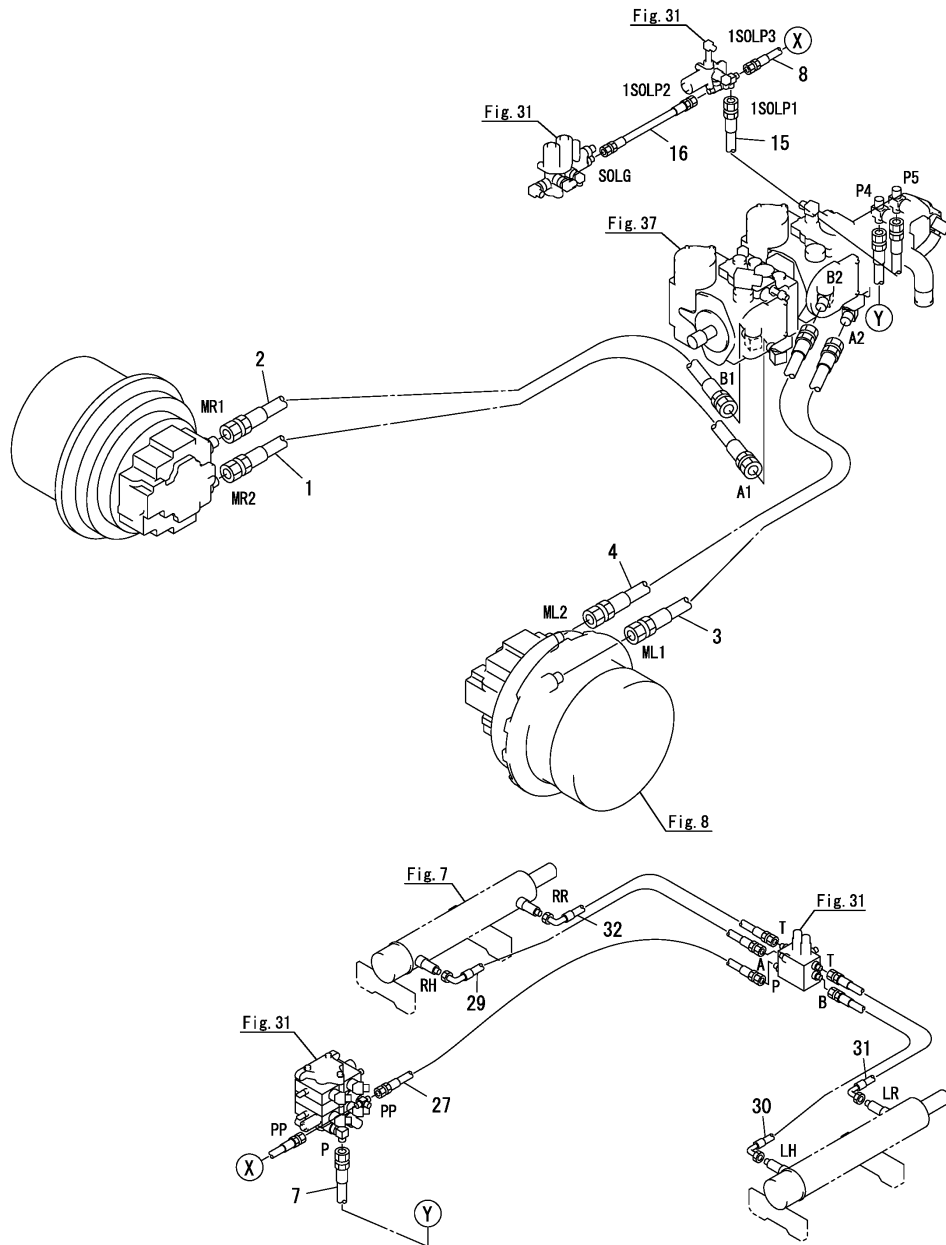
(B)=

(C)=

(D)=

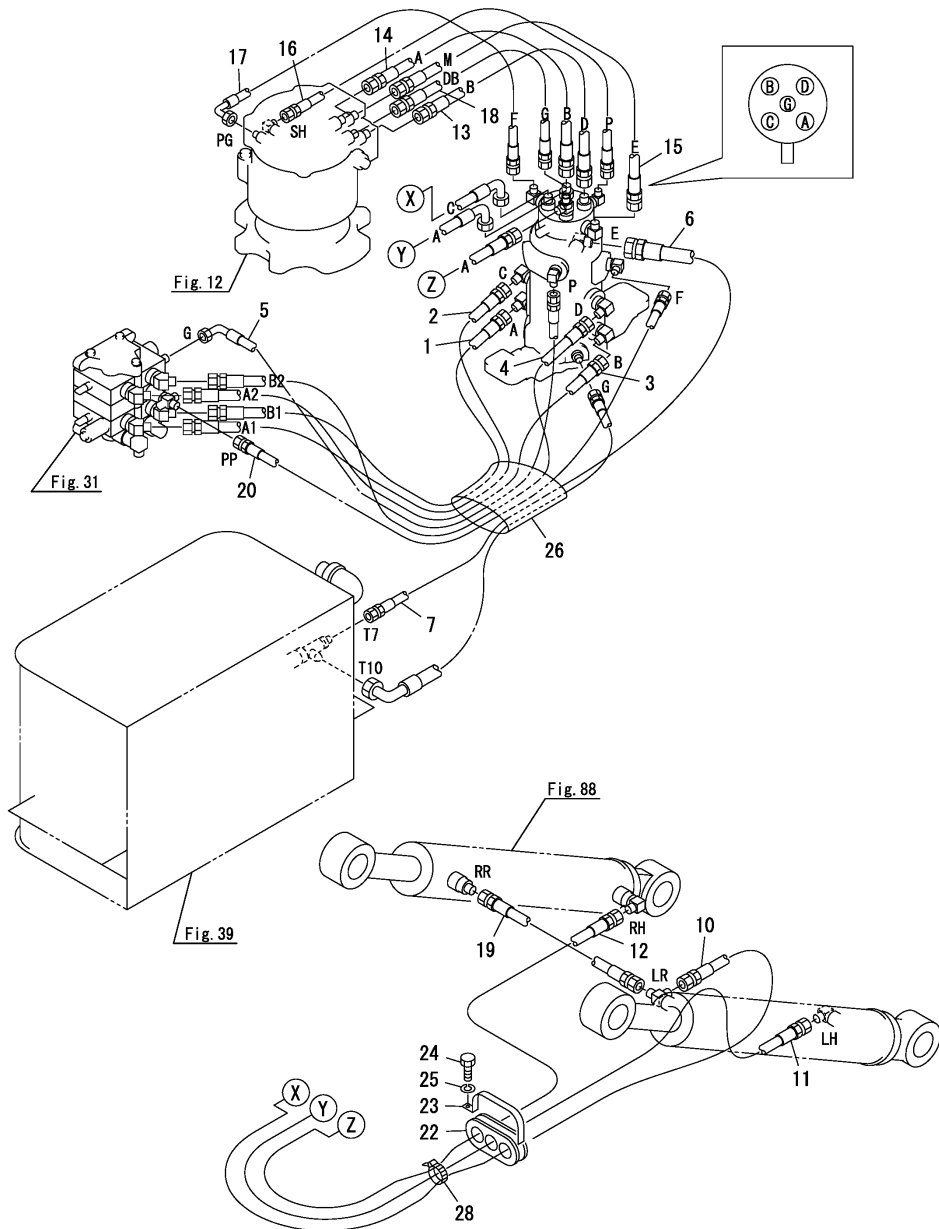
(E)=

(F)=



No.	Lev.	Parts No.	Description	Q'ty						I	R
				(A)	(B)	(C)	(D)	(E)	(F)		
1	1	E0871707510	HOSE, HIGH PRESSURE	1							
2	1	E0871707520	HOSE, HIGH PRESSURE	1							
3	1	E0871707530	HOSE, HIGH PRESSURE	1							
4	1	E0871707540	HOSE, HIGH PRESSURE	1							
7	1	E0871707570	HOSE, HIGH PRESSURE	1							
8	1	E0871706060	HOSE, HIGH PRESSURE	1							
15	1	E0871707650	HOSE	1							
16	1	E0871707660	HOSE	1							
27	1	E0871706250	HOSE	1							
29	1	E0871706270	HOSE, HIGH PRESSURE	1							
30	1	E0871706280	HOSE, HIGH PRESSURE	1							
31	1	E0871706290	HOSE	1							
32	1	E0871706300	HOSE	1							

Fig.36. TURNING DUMP PIPING



(A)=C50R-3B

(B)=

(C)=

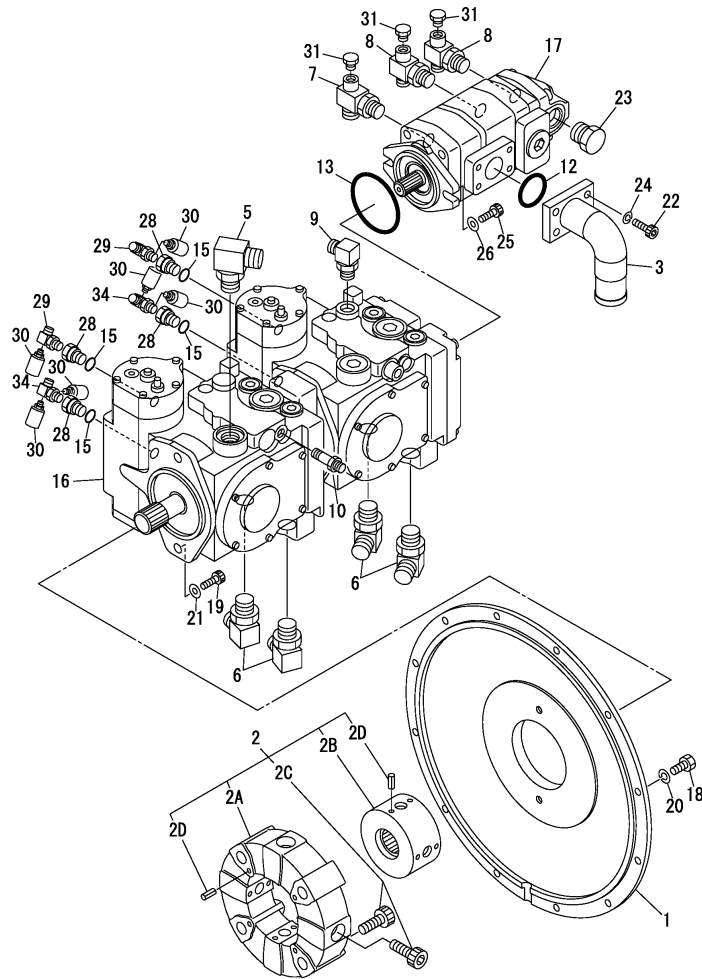
(D)=

(E)=

(F)=

No.	Lev.	Parts No.	Description	Q'ty						I	R
				(A)	(B)	(C)	(D)	(E)	(F)		
1	1	E0871720010	HOSE, HIGH PRESSURE	1							
2	1	E0871720020	HOSE, HIGH PRESSURE	1							
3	1	E0871720030	HOSE, HIGH PRESSURE	1							
4	1	E0871720040	HOSE, HIGH PRESSURE	1							
5	1	E0871720050	HOSE	1							
6	1	E0871720060	HOSE	1							
7	1	E0871720070	HOSE, HIGH PRESSURE	1							
10	1	E0874720100	HOSE, HIGH PRESSURE	1							
11	1	E0874720110	HOSE, HIGH PRESSURE	1							
12	1	E0874720120	HOSE, HIGH PRESSURE	1							
13	1	E0874720130	HOSE, HIGH PRESSURE	1							
14	1	E0874720140	HOSE, HIGH PRESSURE	1							
15	1	E0874720150	HOSE, HIGH PRESSURE	1							
16	1	E0871720160	HOSE	1							
17	1	E0871720170	HOSE	1							
18	1	E0874720180	HOSE	1							
19	1	E0874720190	HOSE, HIGH PRESSURE	1							
20	1	E0871720200	HOSE	1							
22	1	E0097022400	GUARD, HOSE	1							
23	1	E0872704110	PLATE	1							
24	1	E1100040820	BOLT M 8X 20	1							
25	1	E1140020008	SPRING WASHER 8	1							
26	1	E1531360015	HOSE, PROTECT	1							
28	1	E1652201007	TIE-LAP	2							

Fig.37. PUMP DRIVING



(A)=C50R-3B

(B)=

(C)=

(D)=

(E)=

(F)=

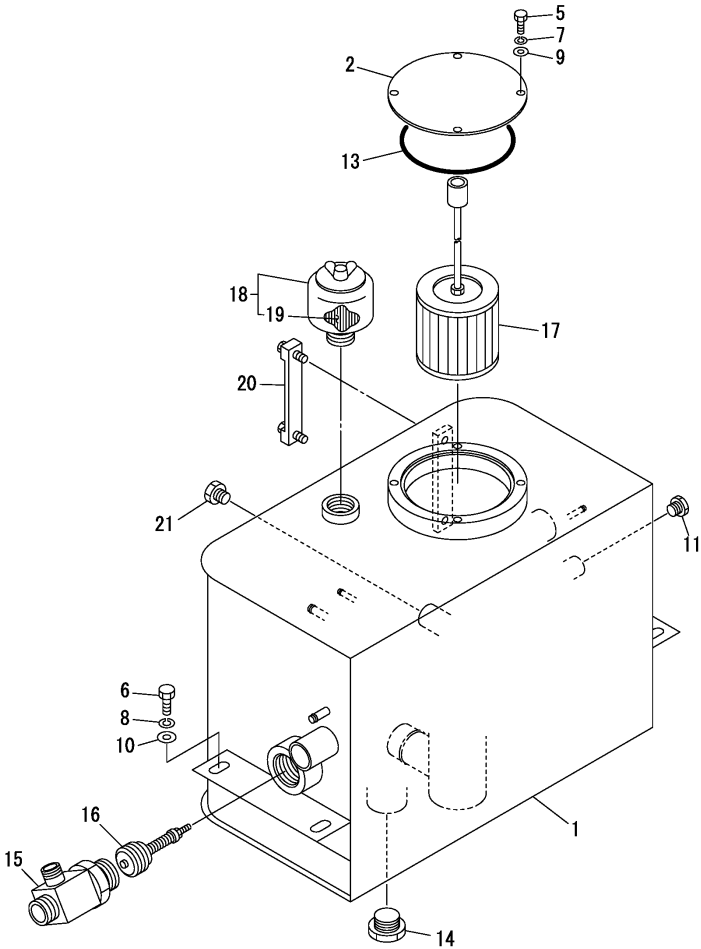
No.	Lev.	Parts No.	Description	Q'ty						I	R
				(A)	(B)	(C)	(D)	(E)	(F)		
1	1	E0881521450	HOUSING, ENGINE	1							
2	1	E0881520200	COUPLING ASSY	1							
2A	2	E0881520201	COUPLING								
2B	2	E0881520202	COUPLING	1							
2C	2	E1110051650	BOLT M16X 50	8							
2D	2	E1213000510	SPRING PIN 5X 10	12							
3	1	E0871520760	FLANGE	1							
5	1	E1515200108	ELBOW	1							
6	1	E1515200063	ELBOW	4							
7	1	E1512350002	ELBOW	1							
8	1	E1512350003	ELBOW	2							
9	1	E1515200067	ELBOW	1							
10	1	E1512370032	ADAPTER	1							
12	1	E1420100400	O-RING	1							
13	1	E1420360152	O-RING	1							
15	1	E1420370906	O-RING	4							
16	1	E1902020400	HST PUMP	1							1
17	1	E1902019700	GEAR PUMP	1							2
18	1	E1100041030	BOLT M10X30	12							
19	1	E1102720838	BOLT	2							
20	1	E1140020010	SPRING WASHER 10	12							
21	1	E1141450008	WASHER	2							
22	1	E1111041025	BOLT M10X25	4							
23	1	E1501750006	PLUG	1							
24	1	E1140490010	SPRING WASHER	4							
25	1	E1102240632	BOLT	2							
26	1	E0003900039	WASHER	2							
28	1	E0007213043	BUSHING	4							
29	1	E1512330003	ELBOW	2							
30	1	E1700100015	SWITCH, PRESSURE	6							
31	1	E1501750002	PLUG	3							
34	1	E1512330004	ELBOW	2							

Remarks

(1)COMPONENT PARTS:REFER TO FIG.92.

(2)COMPONENT PARTS:REFER TO FIG.93.

Fig.38. HYD. OIL TANK

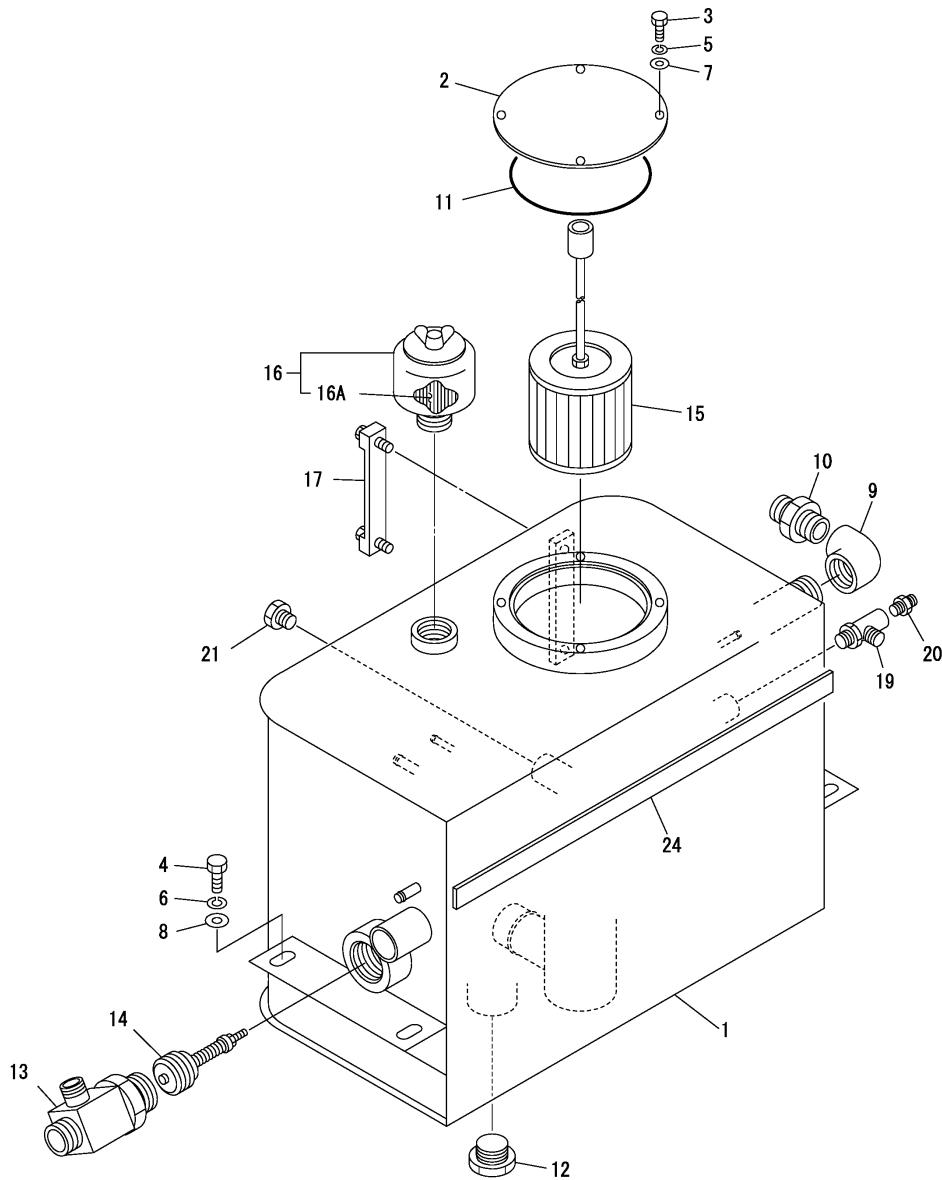


(A)=C50R-3B
(B)=
(C)=

(D)=
(E)=
(F)=

No.	Lev.	Parts No.	Description	Q'ty						I	R
				(A)	(B)	(C)	(D)	(E)	(F)		
1	1	E0871802100	TANK, OIL	1							
2	1	E0438000300	COVER	1							
5	1	E1100041016	BOLT M10X16	4							
6	1	E1100041230	BOLT M12X 30	4							
7	1	E1140020010	SPRING WASHER 10	4							
8	1	E1140020012	SPRING WASHER 12	4							
9	1	E1141110010	WASHER 10	4							
10	1	E1141550012	WASHER, M12	4							
11	1	E1501750004	PLUG	1							
13	1	E1420101250	O-RING	1							
14	1	E1501750010	PLUG	1							
15	1	E1512373012	TEE	1							
16	1	E1540141010	CHECK VALVE	1							
17	1	E1550210340	STRAINER, SUCTION	1							
18	1	E1552000800	AIR BREATHER	1							
19	2	E1552000830	ELEMENT	1							
20	1	E1553020612	GAUGE, OIL LEVEL	1							
21	1	E1501700003	PLUG	1							

Fig.39. HYD. OIL TANK(TURNING SPEC)



(A)=C50R-3B
(B)=
(C)=

(D)=
(E)=
(F)=

No.	Lev.	Parts No.	Description	Q'ty						I	R
				(A)	(B)	(C)	(D)	(E)	(F)		
1	1	E0871802100	TANK, OIL	1							
2	1	E0438000300	COVER	1							
3	1	E1100041016	BOLT M10X16	4							
4	1	E1100041230	BOLT M12X 30	4							
5	1	E1140020010	SPRING WASHER 10	4							
6	1	E1140020012	SPRING WASHER 12	4							
7	1	E1141110010	WASHER 10	4							
8	1	E1141550012	WASHER, M12	4							
9	1	E1509001006	ELBOW	1							
10	1	E1511050006	ADAPTER, HOSE	1							
11	1	E1420101250	O-RING	1							
12	1	E1501750010	PLUG	1							
13	1	E1512373012	TEE	1							
14	1	E1540141010	CHECK VALVE	1							
15	1	E1550210340	STRAINER, SUCTION	1							
16	1	E1552000800	AIR BREATHER	1							
16A	2	E1552000830	ELEMENT	1							
17	1	E1553020612	GAUGE, OIL LEVEL	1							
19	1	E1512340004	ELBOW	1							
20	1	E1515600200	UNION	1							
21	1	E1501700003	PLUG	1							
24	1	E1654313053	SPONGE	1							

Fig.40. FUEL OIL TANK

(A)=C50R-3B

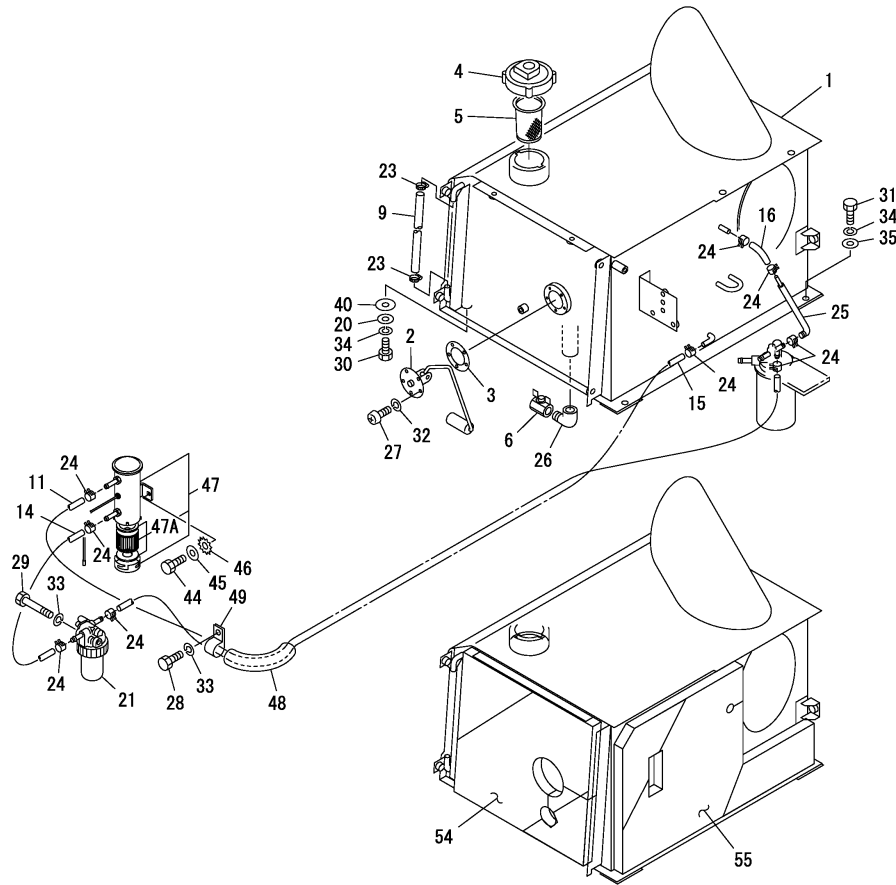
(B)=

(C)=

(D)=

(E)=

(F)=

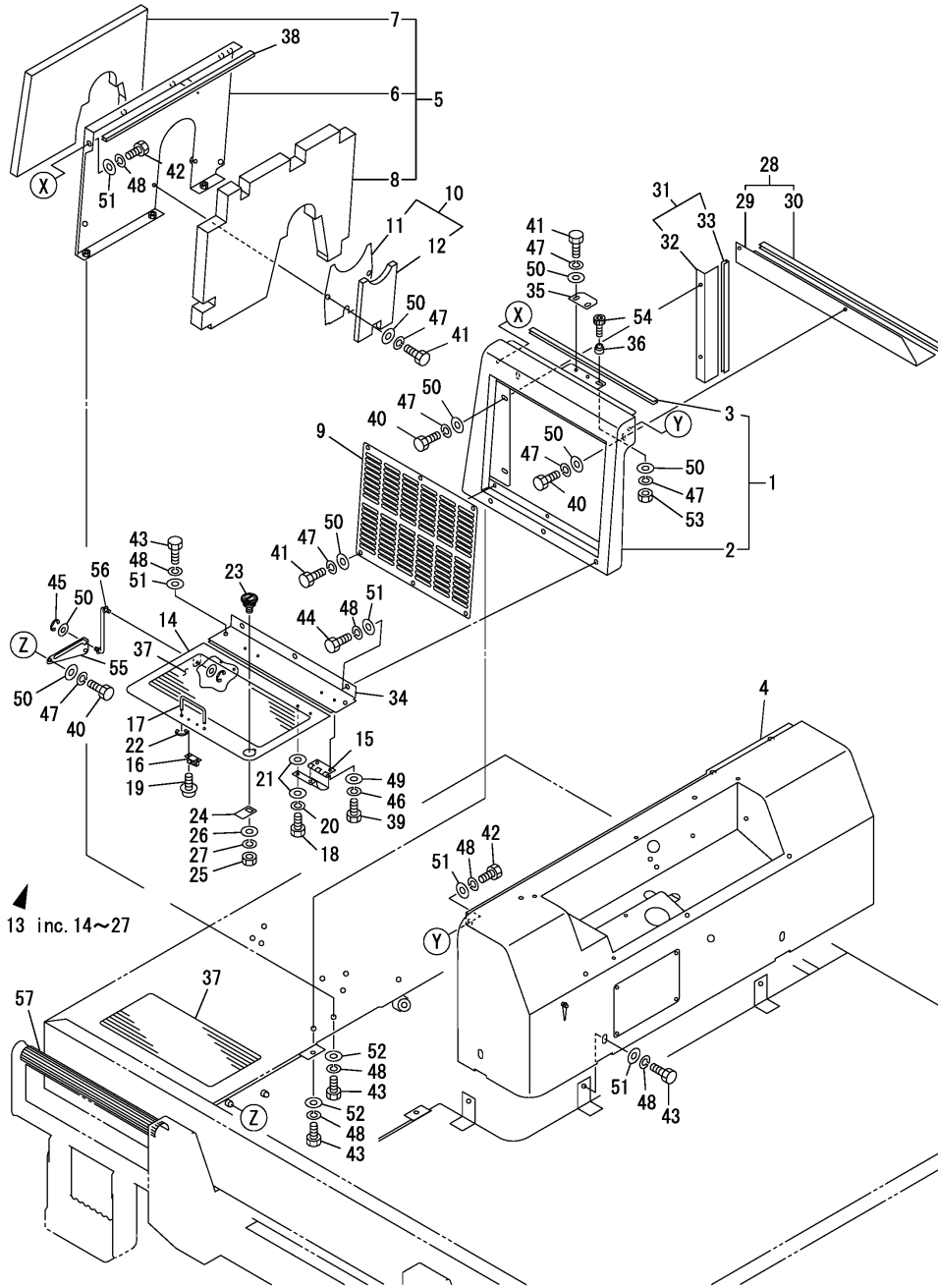


No.	Lev.	Parts No.	Description	Q'ty						I	R
				(A)	(B)	(C)	(D)	(E)	(F)		
1	1	E0871812100	TANK, FUEL	1							
2	1	E1553200600	GAUGE, FUEL	1							
3	1	E0438101500	PACKING	1							
4	1	E1552100900	CAP, TANK	1							
5	1	E1552002012	SCREEN, TANK	1							
6	1	E1521500003	BALL VALVE	1							
9	1	E1531010025	HOSE, VINYL	1							
11	1	E1531207170	HOSE	1							
14	1	E1531207034	HOSE	1							
15	1	E1531207160	HOSE	1							
16	1	E1531207006	HOSE	1							
20	1	E0003600128	WASHER	2							
21	1	119802-55700	SEPARATOR ASSY	1							
23	1	E1533700017	CLIP, HOSE	2							
24	1	E1533120011	POWER BAND	9							
25	1	119840-59601	BEND	1							
26	1	E1501300003	ELBOW	1							
27	1	E1120530512	SCREW, M5X12	5							
28	1	E1100040816	BOLT M 8X 16	1							
29	1	E1100040865	BOLT M 8X 65	1							
30	1	E1100041025	BOLT M10X 25	1							1
30A	1	E1100041020	BOLT M10X 20	1							1
31	1	E1100041030	BOLT M10X30	2							
32	1	E1140020005	SPRING WASHER 5	5							
33	1	E1140020008	SPRING WASHER 8	1							
34	1	E1140020010	SPRING WASHER 10	4							
35	1	E1141110010	WASHER 10	2							
40	1	E0003600130	SHIM	1							1
40A	1	E0003600131	SHIM	1							1
40B	1	E0003600132	SHIM	1							1
44	1	E1100040616	BOLT M 6X 16	2							
45	1	E1141110006	WASHER,PLAIN 6	2							
46	1	E1140330006	WASHER(TOOTHED)	2							
47	1	129953-52100	PUMP ASSY, FUEL FEED	1							
47A	2	129535-52150	FILTER ASSY	1							
48	1	E1531325010	PROTECTOR	1							
49	1	E0007300013	CLAMP	1							
54	1	E0874810054	ACOUSTIC ABSORBENT	1							
55	1	E0871812055	ACOUSTIC ABSORBENT	1							

Remarks

(1)SELECTION USE PARTS.

Fig.41. COVER(1)



(A)=C50R-3B

(B)=

(C)=

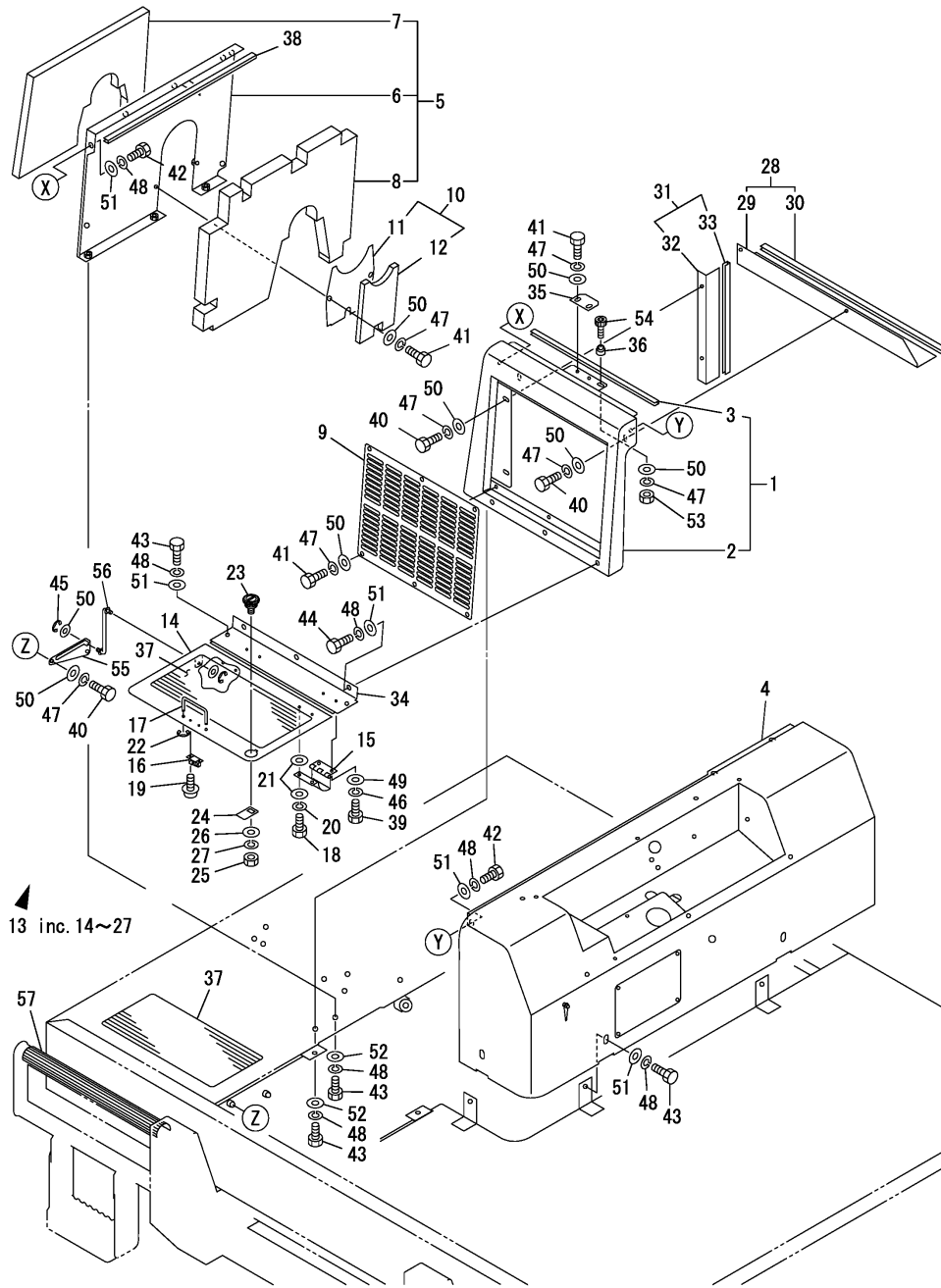
(D)=

(E)=

(F)=

No.	Lev.	Parts No.	Description	Q'ty						I	R
				(A)	(B)	(C)	(D)	(E)	(F)		
1	1	E0874822900	COVER ASSY	1							
2	2	E0874822920	COVER	1							
3	2	E1654520040	SASH RUBBER	1							
4	1	E0871826100	COVER ASSY	1							
5	1	E0874822300	COVER ASSY	1							
6	2	E0874822310	COVER	1							
7	2	E0874822311	ACOUSTIC ABSORBENT	1							
8	2	E0874822312	ACOUSTIC ABSORBENT	1							
9	1	E0874820700	GRILLE, RADIATOR	1							
10	1	E0874820720	COVER ASSY	1							
11	2	E0874820721	COVER	1							
12	2	E0874820722	ACOUSTIC ABSORBENT	1							
13	1	E0871826400	COVER ASSY, BATTERY	1							
14	2	E0871824410	PLATE	1							
15	2	E0872822800	HINGE	2							
16	2	E1653900016	LATCH	1							
17	2	E0872823850	ROD	1							
18	2	E1100040612	BOLT M 6X12	4							
19	2	E1150410508	SCREW	2							
20	2	E1140020006	SPRING WASHER 6	4							
21	2	E1141110006	WASHER,PLAIN 6	8							
22	2	E1224010004	CIRCLIP	2							
23	2	E0871861650	CYLINDER LOCK	1							
24	2	E0871824423	PLATE	1							
25	2	E1130020008	NUT, M8	1							
26	2	E1141110010	WASHER 10	1							
27	2	E1140020010	SPRING WASHER 10	1							
28	1	E0874822740	PLATE ASSY	1							
29	2	E0874822750	PLATE	1							
30	2	E1654520065	RUBBER	1							
31	1	E0874822760	PLATE B ,ASSY	1							
32	2	E0874822770	PLATE B	1							
33	2	E1654520030	RUBBER	1							
34	1	E0874820770	COVER	1							
35	1	E0872822550	HOOK	1							
36	1	E0872823009	STOPPER, COVER	1							
37	1	E0870821517	SHEET, NON SLIP	2							
38	1	E1654520078	RUBBER	1							
39	1	E1100040612	BOLT M 6X12	4							
40	1	E1100040816	BOLT M 8X 16	8							
41	1	E1100040820	BOLT M 8X 20	10							
42	1	E1100041020	BOLT M10X 20	2							
43	1	E1100041025	BOLT M10X 25	9							
44	1	E1100041035	BOLT M10X 35	3							
45	1	E1224010006	E-RING	2							
46	1	E1140020006	SPRING WASHER 6	4							
47	1	E1140020008	SPRING WASHER 8	19							
48	1	E1140020010	SPRING WASHER 10	19							
49	1	E1141110006	WASHER,PLAIN 6	4							
50	1	E1141110008	WASHER 8	21							
51	1	E1141110010	WASHER 10	9							

Fig.41. COVER(1)

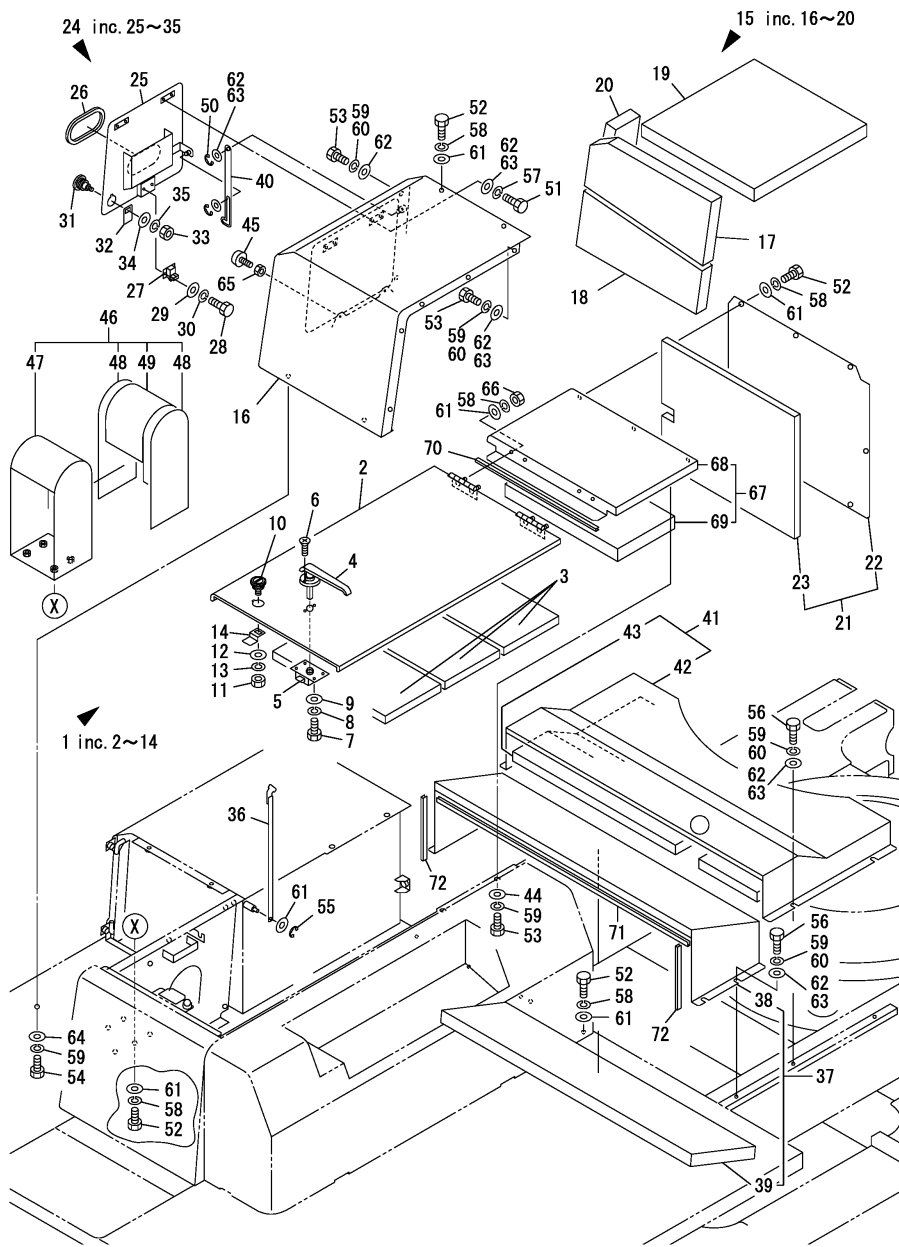


(A)=C50R-3B
(B)=
(C)=

(D)=
(E)=
(F)=

No.	Lev.	Parts No.	Description	Q'ty						I	R
				(A)	(B)	(C)	(D)	(E)	(F)		
52	1	E0003600020	WASHER	5							
53	1	E1130040005	NUT, M5	1							
54	1	E1110040830	SOCKET BOLT M 8X 30	1							
55	1	E0874820910	PLATE	1							
56	1	E0874820920	ROD	1							
57	1	E0568222800	SHEET	1							

Fig.42. COVER(2)



(A)=C50R-3B

(B)=

(C)=

(D)=

(E)=

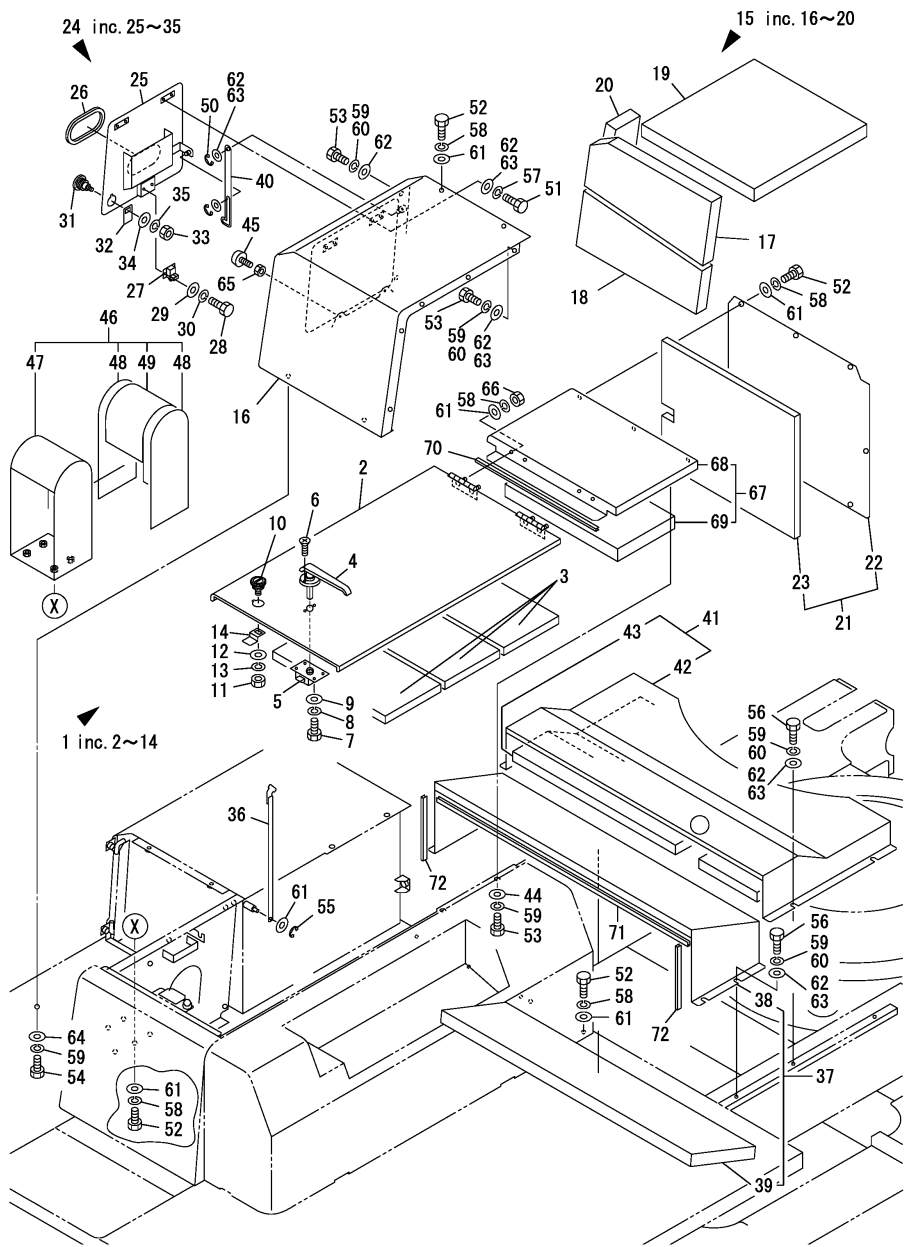
(F)=

No.	Lev.	Parts No.	Description	Q'ty						I	R
				(A)	(B)	(C)	(D)	(E)	(F)		
1	1	E0871828100	BONNET ASSY	1							
2	2	E0871828120	BONNET	1							
3	2	E0874820802	ACOUSTIC ABSORBENT	3							
4	2	E1654000820	HANDLE	1							
5	2	E1653692887	DOOR LOCK	1							
6	2	E1120630514	SCREW, M5X14	2							
7	2	E1100040514	BOLT M 5X 14	4							
8	2	E1140020005	SPRING WASHER 5	4							
9	2	E1141110005	WASHER 5	4							
10	2	E0871861650	CYLINDER LOCK	1							
11	2	E1130020008	NUT, M8	1							
12	2	E1141110010	WASHER 10	1							
13	2	E1140020010	SPRING WASHER 10	1							
14	2	E0871824324	PLATE	1							
15	1	E0874822100	COVER ASSY, CLEANER	1							
16	2	E0871822110	COVER, AIR CLEANER	1							
17	2	E0874822101	ACOUSTIC ABSORBENT	1							
18	2	E0874822102	ACOUSTIC ABSORBENT	1							
19	2	E0874822103	ACOUSTIC ABSORBENT	1							
20	2	E0874822104	ACOUSTIC ABSORBENT	1							
21	1	E0874820550	COVER ASSY	1							
22	2	E0874820551	COVER	1							
23	2	E0874820552	ACOUSTIC ABSORBENT	1							
24	1	E0871828200	COVER ASSY, CLEANER	1							
25	2	E0871828210	COVER, AIR CLEANER	1							
26	2	E1653916032	TRIM, SEAL	1							
27	2	E1653900016	LATCH	1							
28	2	E1100040512	BOLT M 5X 12	2							
29	2	E1141110005	WASHER 5	2							
30	2	E1140020005	SPRING WASHER 5	2							
31	2	E0871861650	CYLINDER LOCK	1							
32	2	E0871824423	PLATE	1							
33	2	E1130020008	NUT, M8	1							
34	2	E1141110010	WASHER 10	1							
35	2	E1140020010	SPRING WASHER 10	1							
36	1	E0871826090	STOPPER, BONNET	1							
37	1	E0874822720	GUARD ASSY	1							1
38	2	E0874821070	GUARD	1							1
39	2	E0874822721	ACOUSTIC ABSORBENT	1							1
40	1	E0872824000	GUIDE	1							
41	1	E0874822730	COVER ASSY	1							1
42	2	E0871825520	COVER, PUMP	1							1
43	2	E0874822731	ACOUSTIC ABSORBENT	1							1
44	1	E0003600025	WASHER	4							
45	1	E1652515100	CUSHION, RUBBER	2							
46	1	E0874822600	BOX ASSY	1							
47	2	E0874822610	BOX	1							
48	2	E0874822611	ACOUSTIC ABSORBENT	2							
49	2	E0874822612	ACOUSTIC ABSORBENT	1							
50	1	E1224010008	CIRCLIP	2							
51	1	E1100040612	BOLT M 6X12	4							

Remarks

(1)TURNING TYPE.

Fig.42. COVER(2)



(A)=C50R-3B

(B)=

(C)=

(D)=

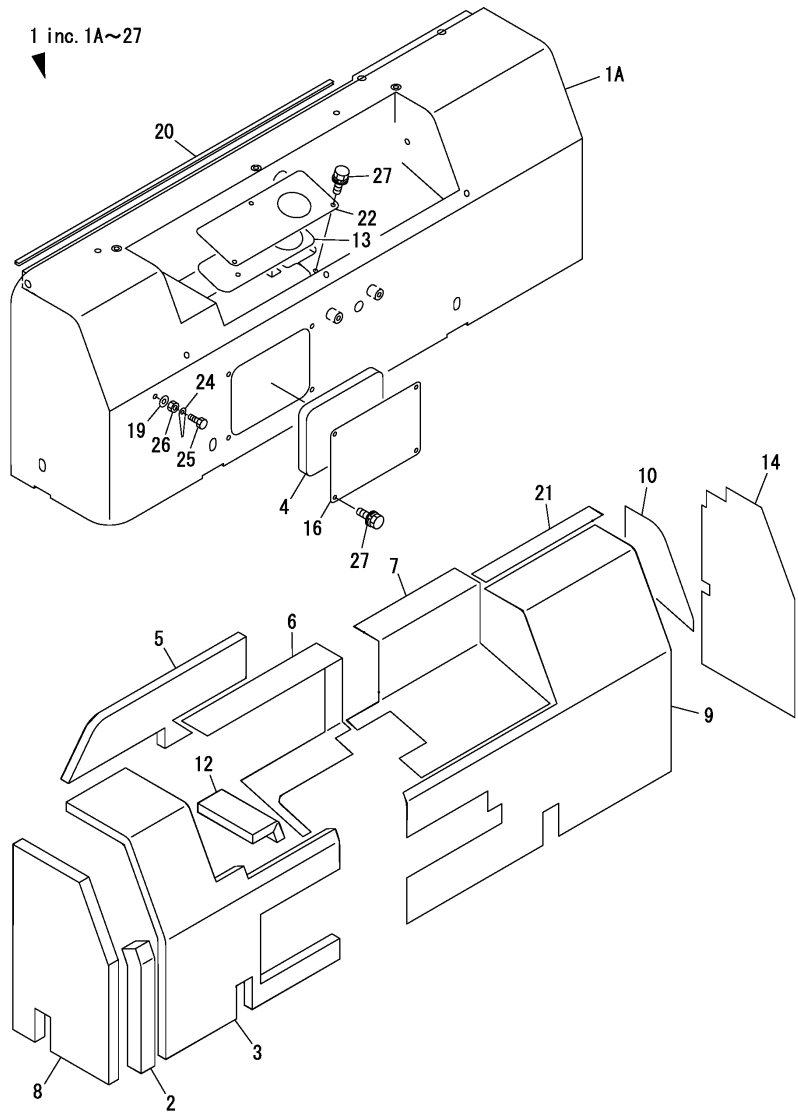
(E)=

(F)=

No.	Lev.	Parts No.	Description	Q'ty						I	R
				(A)	(B)	(C)	(D)	(E)	(F)		
52	1	E1100040820	BOLT M 8X 20	14							
53	1	E1100041020	BOLT M10X 20	10							
54	1	E1100041025	BOLT M10X 25	2							
55	1	E1224010006	E-RING	1							
56	1	E1100041016	BOLT M10X16	8							1
57	1	E1140020006	SPRING WASHER 6	4							
58	1	E1140020008	SPRING WASHER 8	18							
59	1	E1140020010	SPRING WASHER 10	10							
60	1	E1140020010	SPRING WASHER 10	18							1
61	1	E1141110008	WASHER 8	18							
62	1	E1141110010	WASHER 10	14							
63	1	E1141110010	WASHER 10	20							1
64	1	E0003600020	WASHER	2							
65	1	E1130040005	NUT, M5	1							
66	1	E1130040008	NUT, M8	4							
67	1	E0871827700	BONNET REAR ASSY	1							
68	2	E0871827710	BONNET REAR	1							
69	2	E0874820802	ACOUSTIC ABSORBENT	1							
70	1	E1654520045	RUBBER	1							
71	1	E1654520097	RUBBER	1							1
72	1	E1654606018	SEAL	2							1

Remarks
(1)TURNING TYPE.

Fig.43. COVER(3)(SIDE COVER:LEFT)

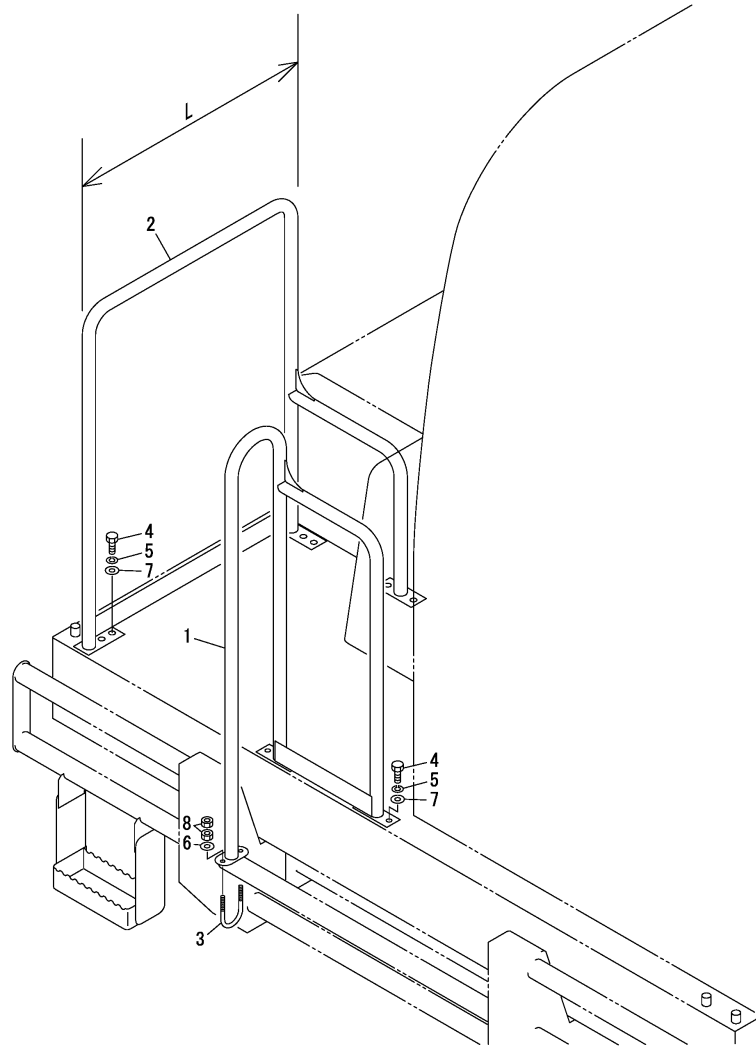


(A)=C50R-3B
(B)=
(C)=

(D)=
(E)=
(F)=

No.	Lev.	Parts No.	Description	Q'ty						I	R
				(A)	(B)	(C)	(D)	(E)	(F)		
1	1	E0871826100	COVER ASSY	1							
1A	2	E0871826140	COVER	1							
2	2	E0874820202	SPONGE	1							
3	2	E0871826103	ACOUSTIC ABSORBENT	1							
4	2	E0871825104	ACOUSTIC ABSORBENT	1							
5	2	E0871825105	ACOUSTIC ABSORBENT	1							
6	2	E0871826106	INSULATOR	1							
7	2	E0871826107	INSULATOR	1							
8	2	E0871824208	ACOUSTIC ABSORBENT	1							
9	2	E0871826115	INSULATOR	1							
10	2	E0871826110	INSULATOR	1							
12	2	E0871826112	ACOUSTIC ABSORBENT	1							
13	2	E0871826113	INSULATOR	1							
14	2	E0871826114	INSULATOR	1							
16	2	E0871825116	PLATE	1							
19	2	E1141110006	WASHER,PLAIN 6	9							
20	2	E1654520078	RUBBER	1							
21	2	E0871824241	INSULATOR	1							
22	2	E0871826122	PLATE	1							
24	2	E0871083614	PLATE	1							
25	2	E1100040620	BOLT M 6X 20	1							
26	2	E1130040006	NUT, M6	1							
27	2	E1100560612	BOLT	7							

Fig.44. BALUSTRADE



(A)=C50R-3B
(B)=
(C)=

(D)=
(E)=
(F)=

No.	Lev.	Parts No.	Description	Q'ty						I	R
				(A)	(B)	(C)	(D)	(E)	(F)		
1	1	E0874850010	HANDRAIL	1							
2	1	E0874850510	HANDRAIL	1							1
3	1	E1533201012	U-BOLT ASSY 32A	1							
4	1	E1100041025	BOLT M10X 25	10							
5	1	E1140020010	SPRING WASHER 10	10							
6	1	E1141110008	WASHER 8	2							
7	1	E1141110010	WASHER 10	10							
8	1	E1130040008	NUT, M8	4							

Remarks
(1)L=440mm

Fig.45. BACK MIRROR

(A)=C50R-3B

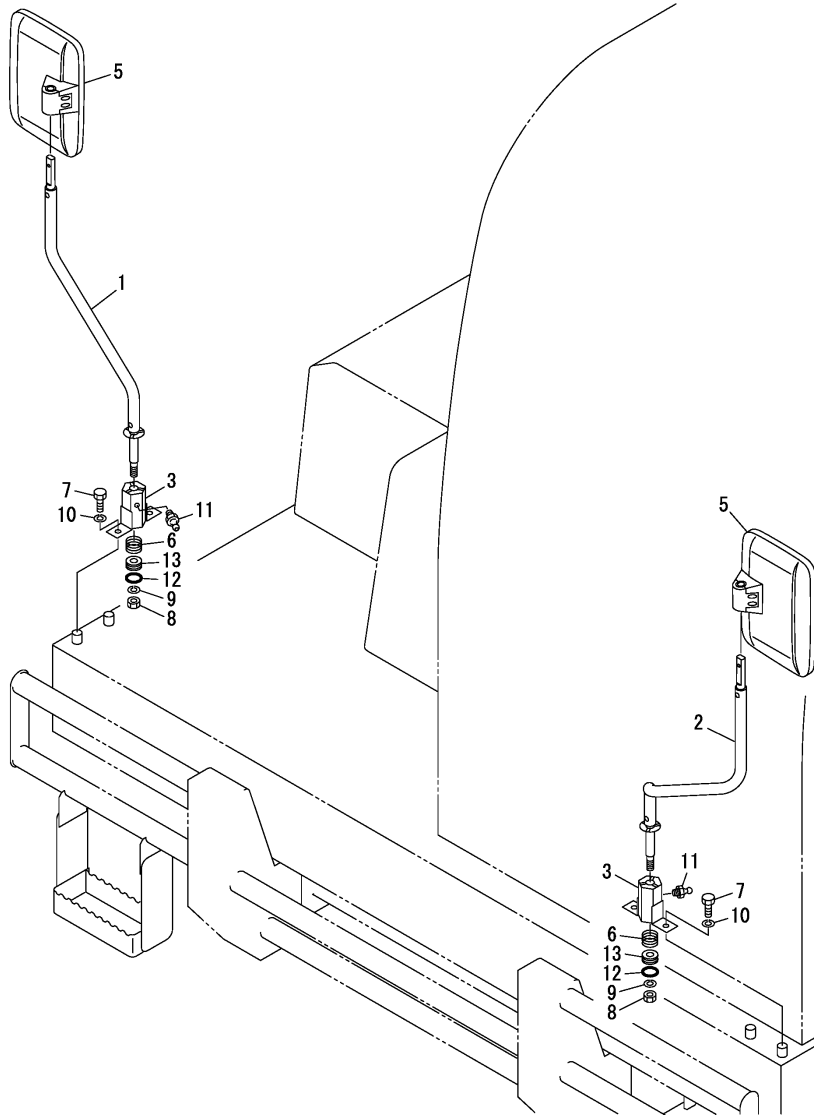
(B)=

(C)=

(D)=

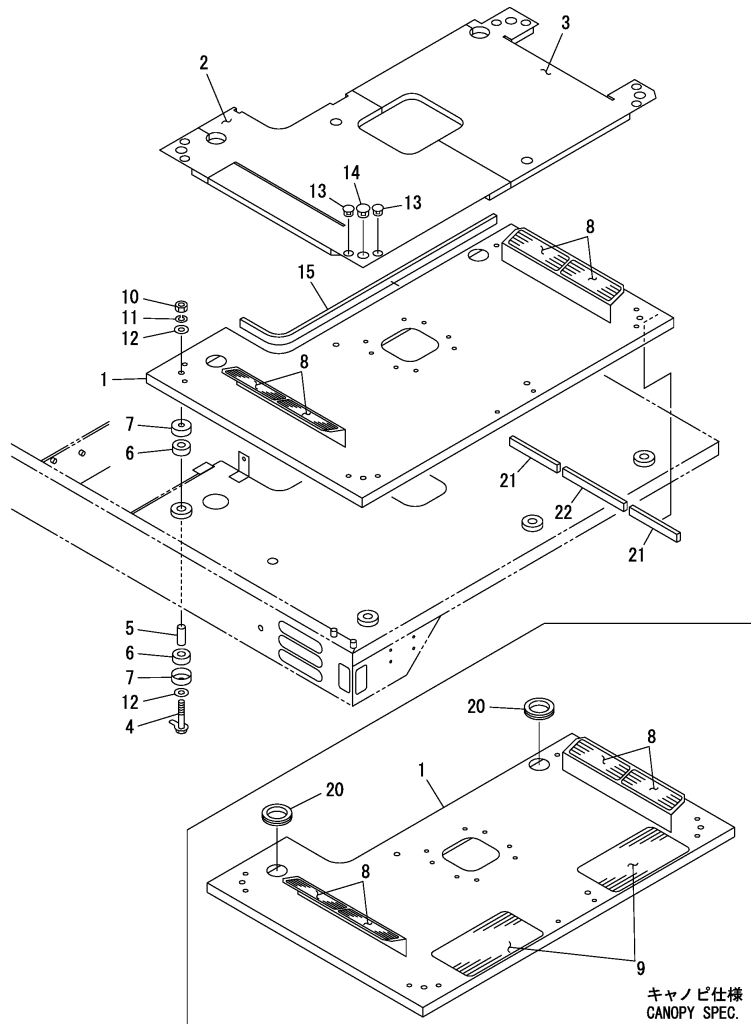
(E)=

(F)=



No.	Lev.	Parts No.	Description	Q'ty						I	R
				(A)	(B)	(C)	(D)	(E)	(F)		
1	1	E0874871100	STAY, MIRROR	1							
2	1	E0874871110	STAY, MIRROR	1							
3	1	E0874871120	HOLDER	2							
5	1	E1656500010	REARVIEW MIRROR	2							
6	1	E0007000016	SPRING	2							
7	1	E1100041025	BOLT M10X 25	4							
8	1	E1130540012	NUT, M12, 7T-P1.5	2							
9	1	E1140020012	SPRING WASHER 12	2							
10	1	E1140020010	SPRING WASHER 10	4							
11	1	E1560011006	NIPPLE, GREASE	2							
12	1	E1420000240	O-RING	2							
13	1	E0872871090	COLLAR	2							

Fig.46. FLOOR



(A)=C50R-3B

(B)=

(C)=

(D)=

(E)=

(F)=

No.	Lev.	Parts No.	Description	Q'ty						I	R
				(A)	(B)	(C)	(D)	(E)	(F)		
1	1	E0871351550	PLATE	1							
2	1	E0871351560	MAT A,FLOOR	1							1
3	1	E0871351570	MAT B,FLOOR	1							1
4	1	E0871351540	BOLT ASSY	6							
5	1	E0874350004	SPACER	6							
6	1	E0433503100	RUBBER	12							
7	1	E0433503200	COVER	12							
8	1	E0068228700	PLATE,RUBBER	4							
9	1	E0871351590	SHEET, NON SLIP	2							2
10	1	E1130040016	NUT, M16	6							
11	1	E1140020016	SPRING WASHER M16	6							
12	1	E1141110016	WASHER,PLAIN M16	12							
13	1	E0373508010	CAP	8							1
14	1	E1652533010	CAP	6							1
15	1	E1654308120	SPONGE	1							
20	1	E1652060063	BUSHING 60	2							2
21	1	E1654308021	SPONGE	2							
22	1	E1654308027	SPONGE	1							

Remarks

- (1)CABIN SPEC.
- (2)CANOPY SPEC.

Fig.47. SEAT

(A)=C50R-3B
(B)=
(C)=

(D)=
(E)=
(F)=

No.	Lev.	Parts No.	Description	Q'ty						I	R
				(A)	(B)	(C)	(D)	(E)	(F)		
1	1	E1914100089	SEAT, OPERATOR	1							
2	1	E1100040820	BOLT M 8X 20	4							
3	1	E1140020008	SPRING WASHER 8	4							
4	1	E0871341560	STOPPER	1							

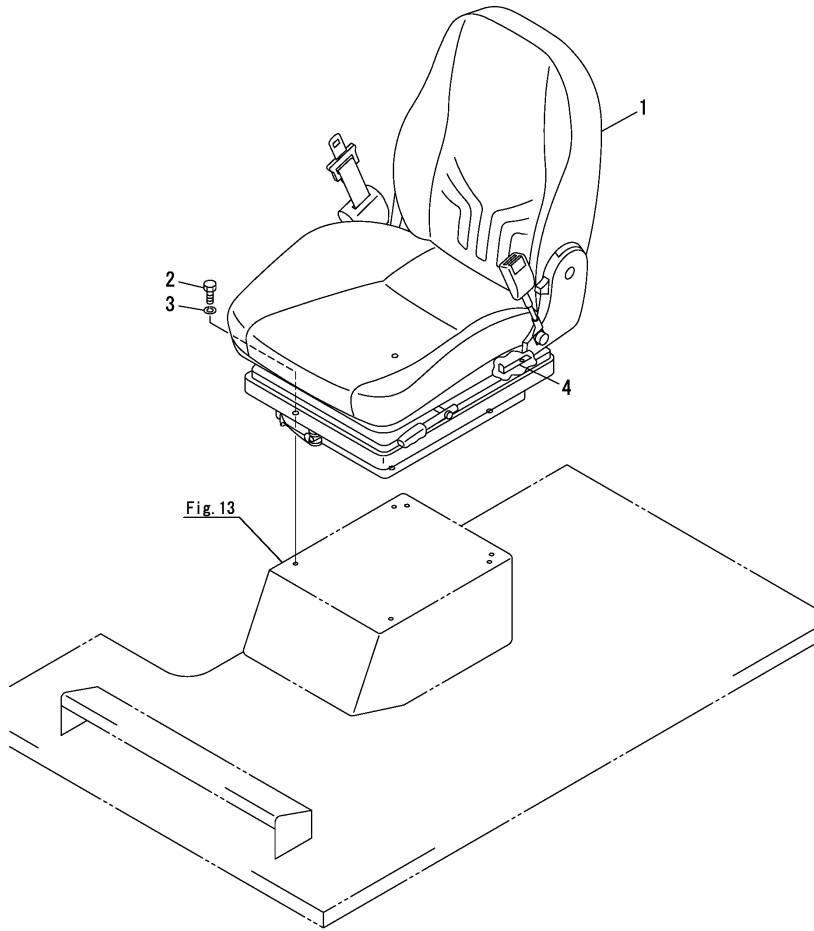
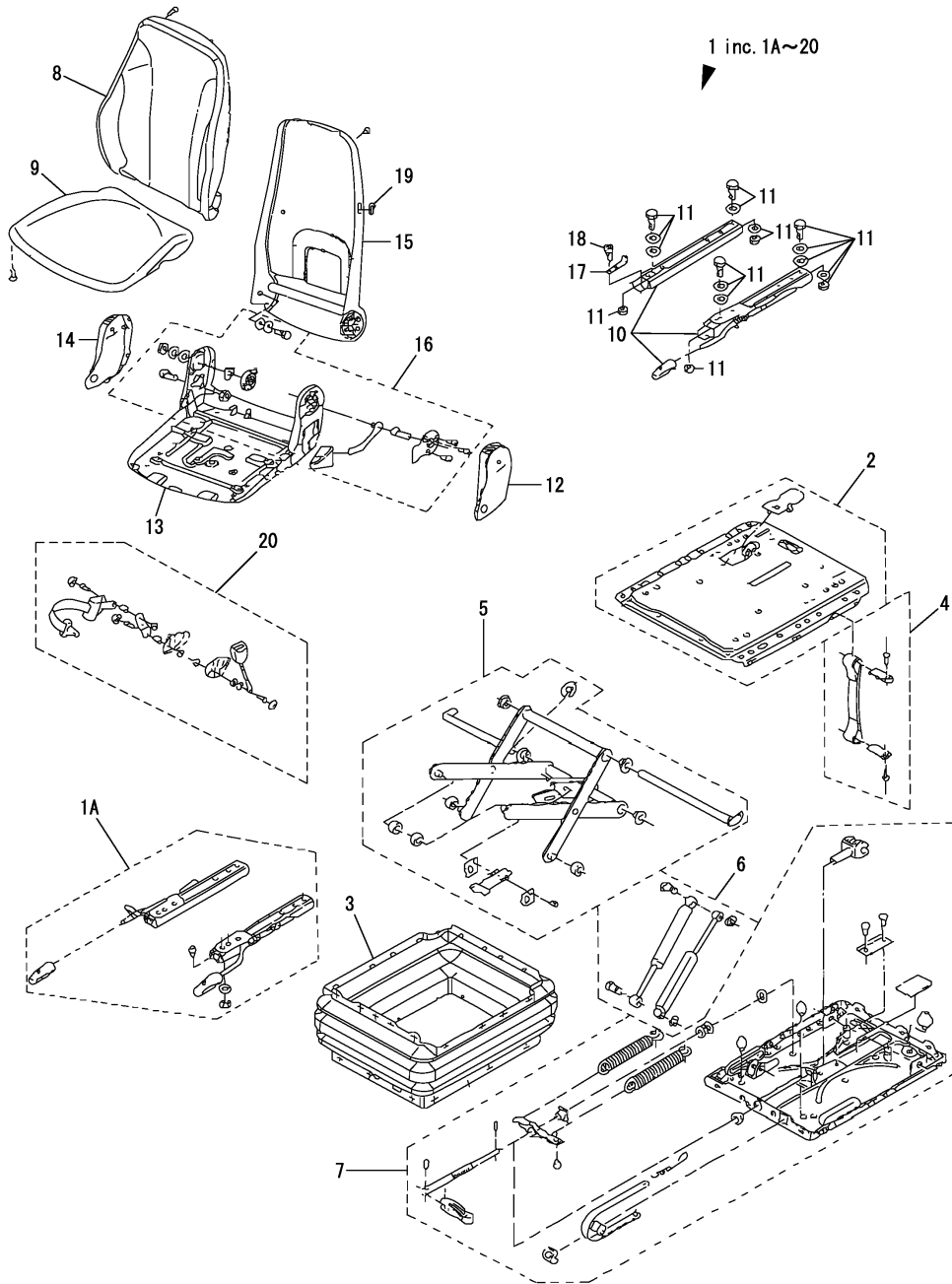


Fig.48. SEAT(COMPONENT PART)



(A)=C50R-3B

(B)=

(C)=

(D)=

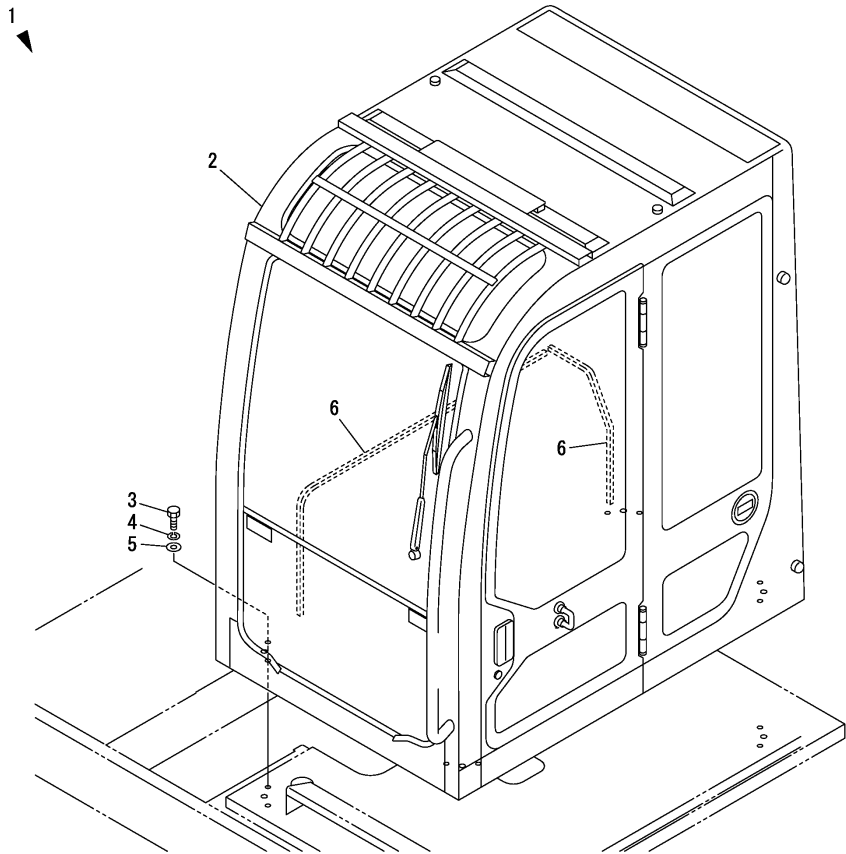
(E)=

(F)=

No.	Lev.	Parts No.	Description	Q'ty						I	R
				(A)	(B)	(C)	(D)	(E)	(F)		
1	1	E1914100089	SEAT, OPERATOR	1							
1A	2	E1914101072	RAIL ASSY	1							
2	2	E1914102072	PLATE ASSY	1							
3	2	E1914103072	BOOTS	1							
4	2	E1914104072	ANGLE ASSY	1							
5	2	E1914105072	LINK ASSY	1							
6	2	E1914106072	DAMPER ASSY	1							
7	2	E1914107072	SPRING ASSY	1							
8	2	E1914108089	TRIM	1							
9	2	E1914109072	TRIM	1							
10	2	E1914110072	RAIL ASSY	1							
11	2	E1914111072	BOLT ASSY	1							
12	2	E1914112072	COVER	1							
13	2	E1914113072	FRAME	1							
14	2	E1914114072	COVER	1							
15	2	E1914115072	FRAME	1							
16	2	E1914118072	JOINT ASSY	1							
17	2	E1914119072	PLATE	1							
18	2	E1914120072	SCREW, CAP	1							
19	2	E1914121072	PLATE	1							
20	2	E1914123072	BELT ASSY, SEAT	1							

Fig.49. CABIN(1)

キャビンASSY
 CABIN ASSY
 (E0871867500)
 Fig. 49 REF. No.1
 inc. Fig. 49 REF. No. 2~6
 Fig. 50 REF. No. 1~92
 Fig. 51 REF. No. 4~93
 Fig. 52 REF. No. 1~39
 Fig. 53 REF. No. 1~39

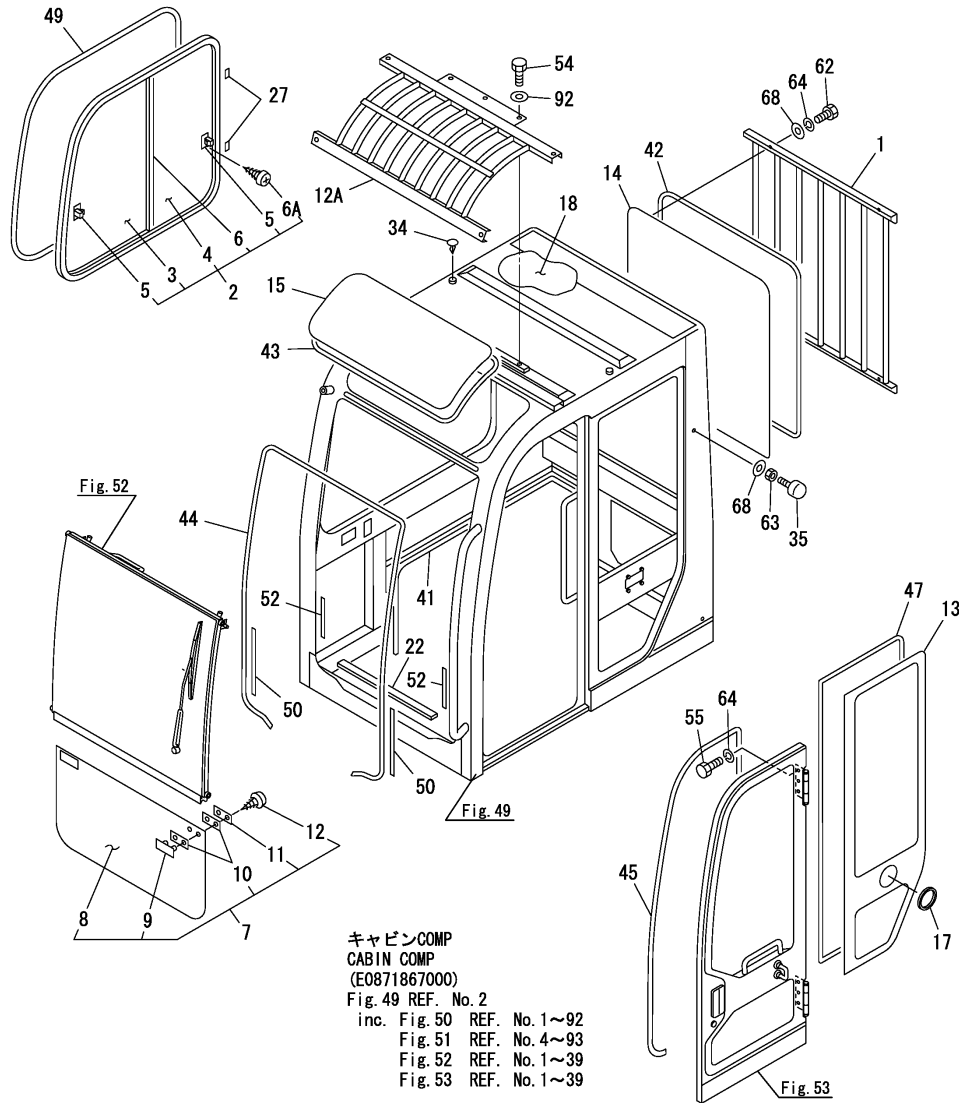


(A)=C50R-3B
 (B)=
 (C)=

(D)=
 (E)=
 (F)=

No.	Lev.	Parts No.	Description	Q'ty						I	R
				(A)	(B)	(C)	(D)	(E)	(F)		
1	1	E0871866500	CABIN ASSY	1							
2	2	E0871867000	CABIN ASSY	1							
3	2	E1100041230	BOLT M12X 30	8							
4	2	E1140020012	SPRING WASHER 12	8							
5	2	E1141110012	WASHER 12	8							
6	2	E1654315100	SPONGE	2							

Fig.50. CABIN(2)



キャビンCOMP
 CABIN COMP
 (E0871867000)
 Fig.49 REF. No.2
 inc. Fig.50 REF. No.1~92
 Fig.51 REF. No.4~93
 Fig.52 REF. No.1~39
 Fig.53 REF. No.1~39

(A)=C50R-3B

(B)=

(C)=

(D)=

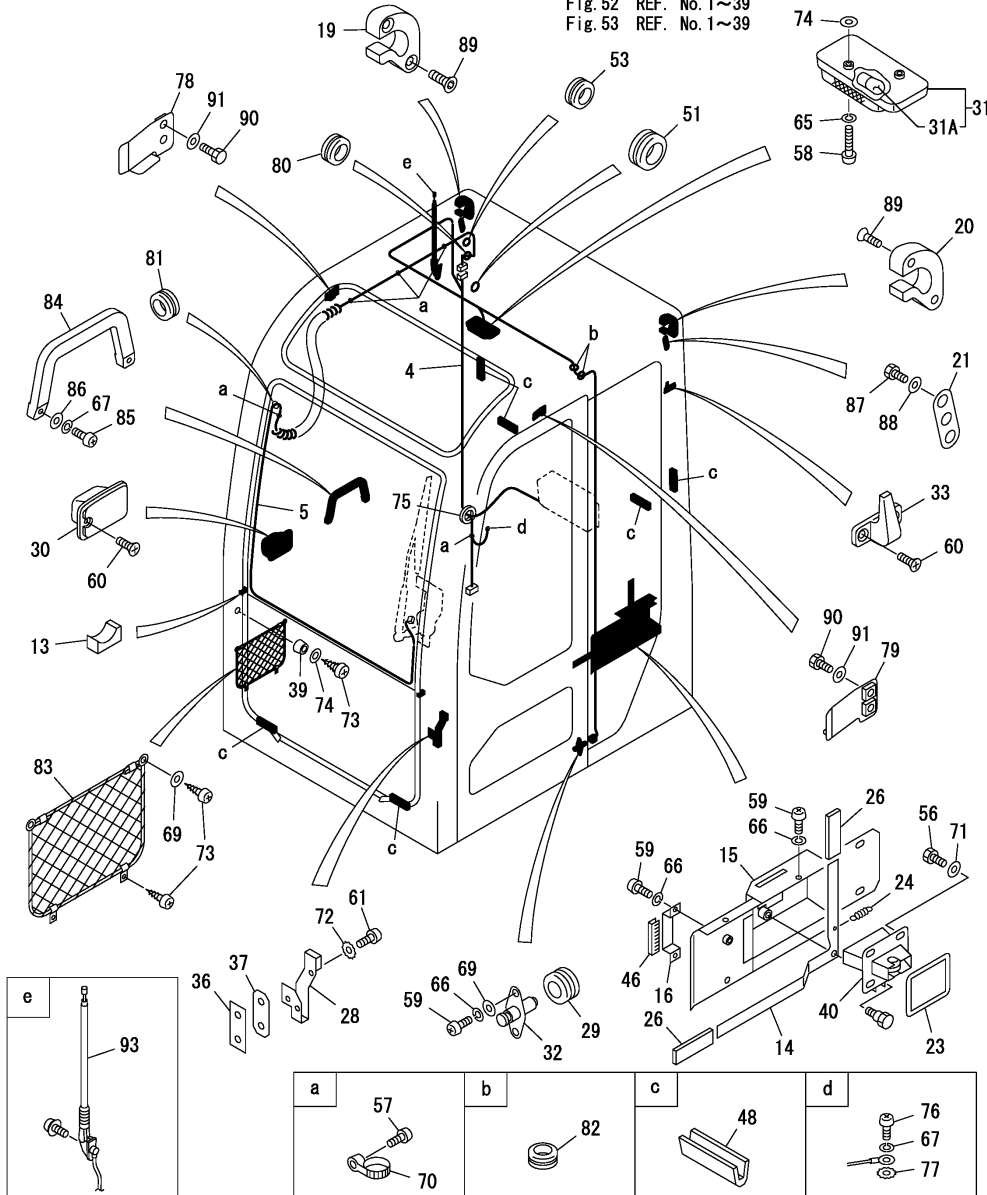
(E)=

(F)=

No.	Lev.	Parts No.	Description	Q'ty						I	R
				(A)	(B)	(C)	(D)	(E)	(F)		
1	3	E0874860120	GUARD	1							
2	3	E0568639510	SASH ASSY	1							
3	4	E0568639512	GLASS	1							
4	4	E0568639513	GLASS	1							
5	4	E1654008300	LOCK ASSY	2							
6	4	E1654008200	STRIP, WEATHER	1							
6A	4	E1122420410	SCREW	4							
7	3	E0378601600	GLASS ASSY	1							
8	3	E0378601610	GLASS	1							
9	3	E1654010900	RETAINER	2							
10	3	E1654011100	GASKET	4							
11	3	E1654011000	PLATE	2							
12	3	E1122410412	SCREW	4							
12A	3	E0871866670	ROOF WIND GAURD	1							
13	3	E0568639540	GLASS	1							
14	3	E0874860130	GLASS	1							
15	3	E0568633200	GLASS	1							
17	3	E0568626600	GROMMET	1							
18	3	E0871866650	ABSORBENT, NOISE	1							
22	3	E0568634100	SEAL	1							
27	3	E0438601770	SPACER	7							
34	3	E1654005000	CLIP	2							
35	3	E1651101042	STOPPER	2							
41	3	E1654520202	RUBBER	1							
42	3	E1654231320	RUBBER	1							
43	3	E1654231225	RUBBER	1							
44	3	E1654605440	RUBBER	1							
45	3	E1654605341	RUBBER	1							
47	3	E1654615235	DUM, 235CM	1							
49	3	E1653930375	RUBBER(375CM	1							
50	3	E1654605033	RUBBER	2							
52	3	E1653916020	RUBBER	2							
54	3	E1100041020	BOLT M10X 20	7							
55	3	E1100090820	BOLT M 8X 20	6							
62	3	E1100091020	BOLT	4							
63	3	E1130090010	NUT	2							
64	3	E1140090010	SPRING WASHER M10	10							
68	3	E1141190010	WASHER M10	6							
92	3	E1141550010	WASHER, M10	7							

Fig.51. CABIN(3)

キャビンCOMP
 CABIN COMP
 (E0871867000)
 Fig. 49 REF. No. 2
 inc. Fig. 50 REF. No. 1~92
 Fig. 51 REF. No. 4~93
 Fig. 52 REF. No. 1~39
 Fig. 53 REF. No. 1~39



(A)=C50R-3B

(B)=

(C)=

(D)=

(E)=

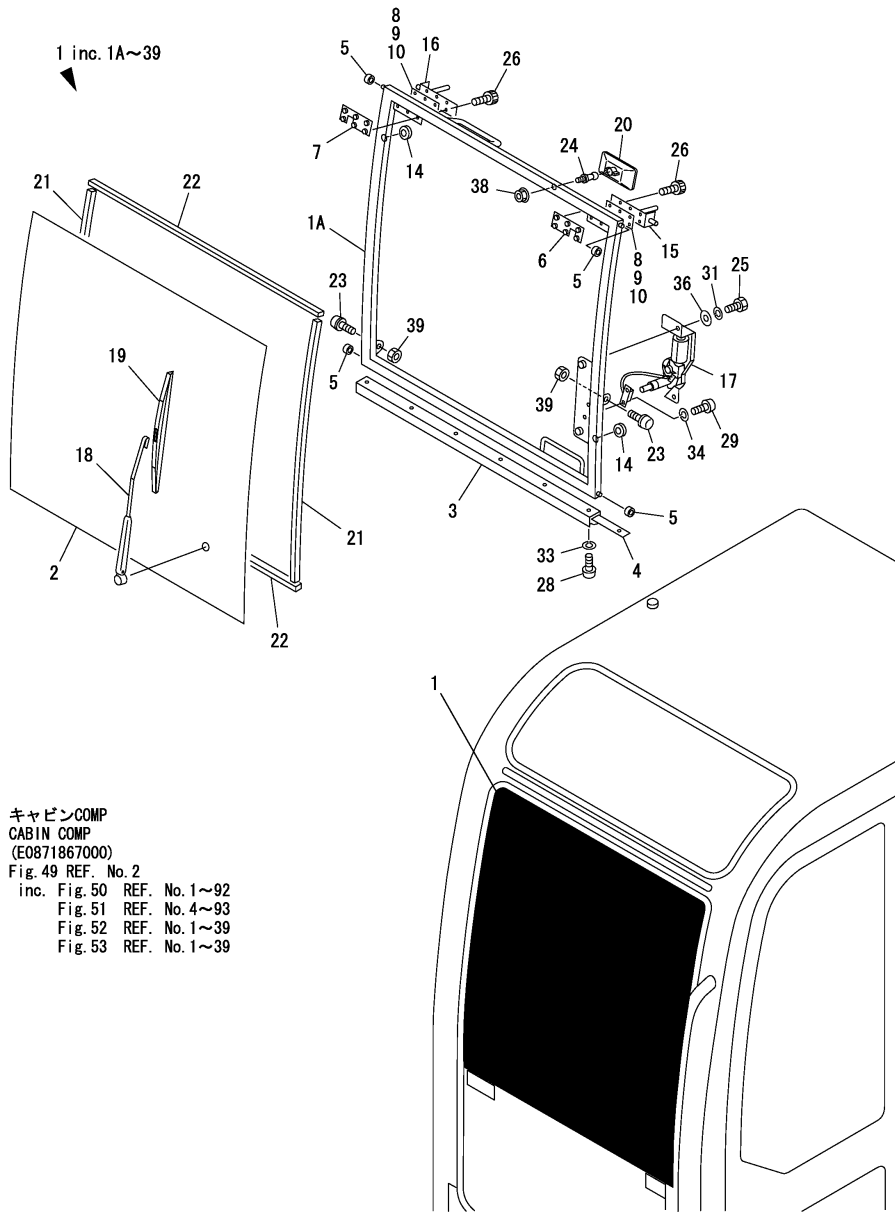
(F)=

No.	Lev.	Parts No.	Description	Q'ty						I	R
				(A)	(B)	(C)	(D)	(E)	(F)		
4	3	E0871866610	WIRE HARNESS	1							
5	3	E0568601200	WIRE HARNESS	1							
13	3	E0568633300	STOPPER	2							
14	3	E0378601420	PLATE	1							
15	3	E0568644300	COVER	1							
16	3	E0338630870	PLATE	1							
19	3	E0338630910	STOPPER	1							
20	3	E0338630960	STOPPER	1							
21	3	E0338630920	PLATE	1							
23	3	E0568634400	SEAL	1							
24	3	E0007000096	SPRING	1							
26	3	E0438601760	COVER	2							
28	3	E0068620500	STRIKER	1							
29	3	E1652051600	GROMMET	1							
30	3	E1654010500	ASHTRAY	1							
31	3	E1703004100	ROOM LAMP	1							
31A	4	E1703004101	BULB	1							
32	3	E1700000015	SWITCH	1							
33	3	E1654004800	HANGER	1							
36	3	E0338630880	PLATE	1							
37	3	E0338630930	GASKET	1							
39	3	E1652102320	RUBBER	2							
40	3	E1654005100	LOCK	1							
46	3	E1653916007	TRIM, SEAL	1							
48	3	E1654004900	STOPPER	6							
51	3	E1652060031	GROMMET	1							
53	3	E1652051200	GROMMET	1							
56	3	E1100040825	BOLT M 8X25	4							
57	3	E1120590512	SCREW, M5X12	4							
58	3	E1120530520	SCREW, M5X20	2							
59	3	E1120590408	SCREW	8							
60	3	E1120690412	SCREW	4							
61	3	E0068621300	SCREW	2							
65	3	E1140020005	SPRING WASHER 5	2							
66	3	E1140090004	SPRING WASHER M 4	8							
67	3	E1140020006	SPRING WASHER 6	3							
69	3	E1141190004	WASHER M 4	6							
70	3	E1652221050	CLAMP	4							
71	3	E1141110008	WASHER 8	2							
72	3	E1140330010	WASHER, TOOTHED 10	2							
73	3	E1122410416	SCREW	6							
74	3	E1141190005	WASHER,PLAIN M 5	3							
75	3	E1652042515	GROMMET	1							
76	3	E1120530616	SCREW	1							
77	3	E1140330006	WASHER(TOOTHED)	1							
78	3	E0568648162	PLATE R	1							
79	3	E0568648163	PLATE L	1							
80	3	E1652001602	GROMMET	1							
81	3	E1652000602	GROMMET	2							
82	3	E1652001002	GROMMET	2							
83	3	E1654010600	POCKET ASSY	1							

N:Old $\xrightarrow{\text{Yes}}$ New, Q:Old $\xrightarrow{\text{No}}$ New, R:Old $\xrightarrow{\text{Yes}}$ New, S:Old $\xrightarrow{\text{No}}$ New, W:Add, Z:Discontinued, F:Interchangeable by set, K:Q'ty Change

++ CONTINUE ++

Fig.52. CABIN(4)



キャビンCOMP
 CABIN COMP
 (E0871867000)
 Fig. 49 REF. No. 2
 inc. Fig. 50 REF. No. 1~92
 Fig. 51 REF. No. 4~93
 Fig. 52 REF. No. 1~39
 Fig. 53 REF. No. 1~39

(A)=C50R-3B
 (B)=
 (C)=

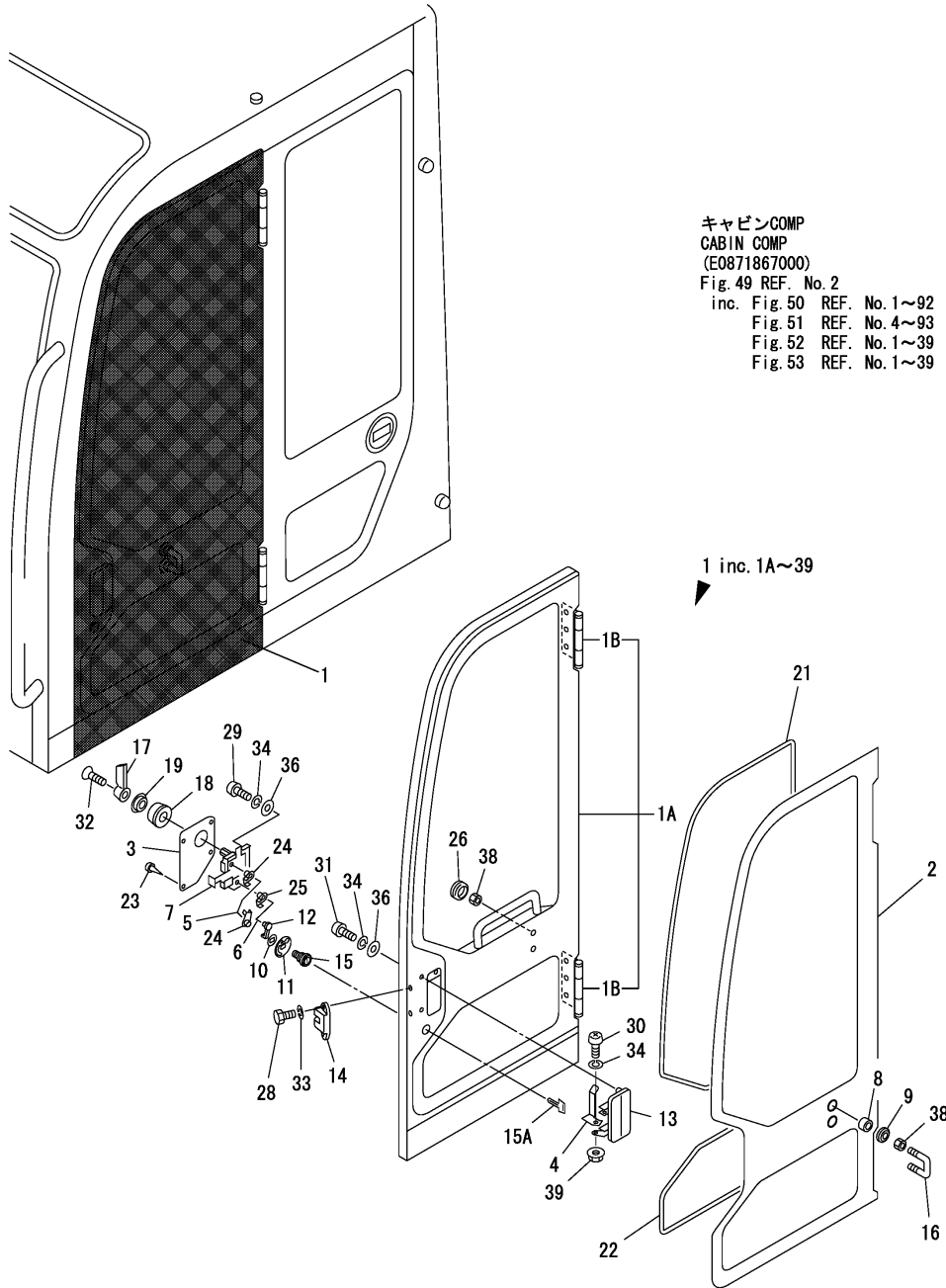
(D)=
 (E)=
 (F)=

No.	Lev.	Parts No.	Description	Q'ty						I	R
				(A)	(B)	(C)	(D)	(E)	(F)		
1	3	E0871866800	SASH ASSY	1							
1A	4	E0871866810	SASH	1							
2	4	E0568639330	GLASS	1							
3	4	E0568621800	SEAL	1							
4	4	E0568621900	PLATE	1							
5	4	E0568622200	ROLLER	4							
6	4	E0568622400	PLATE(L)	1							
7	4	E0568622300	PLATE(R)	1							
8	4	E0468605031	SHIM	1							1
9	4	E0468605032	SHIM	1							1
10	4	E0468605033	SHIM	1							1
14	4	E1652001002	GROMMET	2							
15	4	E0871866830	RUCHE L	1							
16	4	E0871866840	RUCHE R	1							
17	4	E1704078924	WIPER MOTOR	1							
18	4	E1704100530	ARM, WIPER	1							
19	4	E1704200530	BLADE, WIPER	1							
20	4	E1654005400	ROOM MIRROR	1							
21	4	E1654616080	DAM	2							
22	4	E1654615085	DUM, 85CM	2							
23	4	E1651101028	STOPPER	2							
24	4	E1654006000	PIVOT	1							
25	4	E1100290820	BOLT	2							
26	4	E1110090516	SCREW, CAP	12							
28	4	E1120530408	SCREW, M4X8	6							
29	4	E1120590408	SCREW	2							
31	4	E1140090008	SPRING WASHER M 8	2							
33	4	E1140020004	WASHER, SPRING M 4	6							
34	4	E1140090004	SPRING WASHER M 4	2							
36	4	E1141190008	WASHER M 8	2							
38	4	E1131242008	NUT, FLANGE M8	1							
39	4	E1130090010	NUT	2							

Remarks

(1)SELECTION USE PARTS.

Fig.53. CABIN(5)



キャビンCOMP
 CABIN COMP
 (E0871867000)
 Fig.49 REF. No.2
 inc. Fig.50 REF. No.1~92
 Fig.51 REF. No.4~93
 Fig.52 REF. No.1~39
 Fig.53 REF. No.1~39

(A)=C50R-3B

(B)=

(C)=

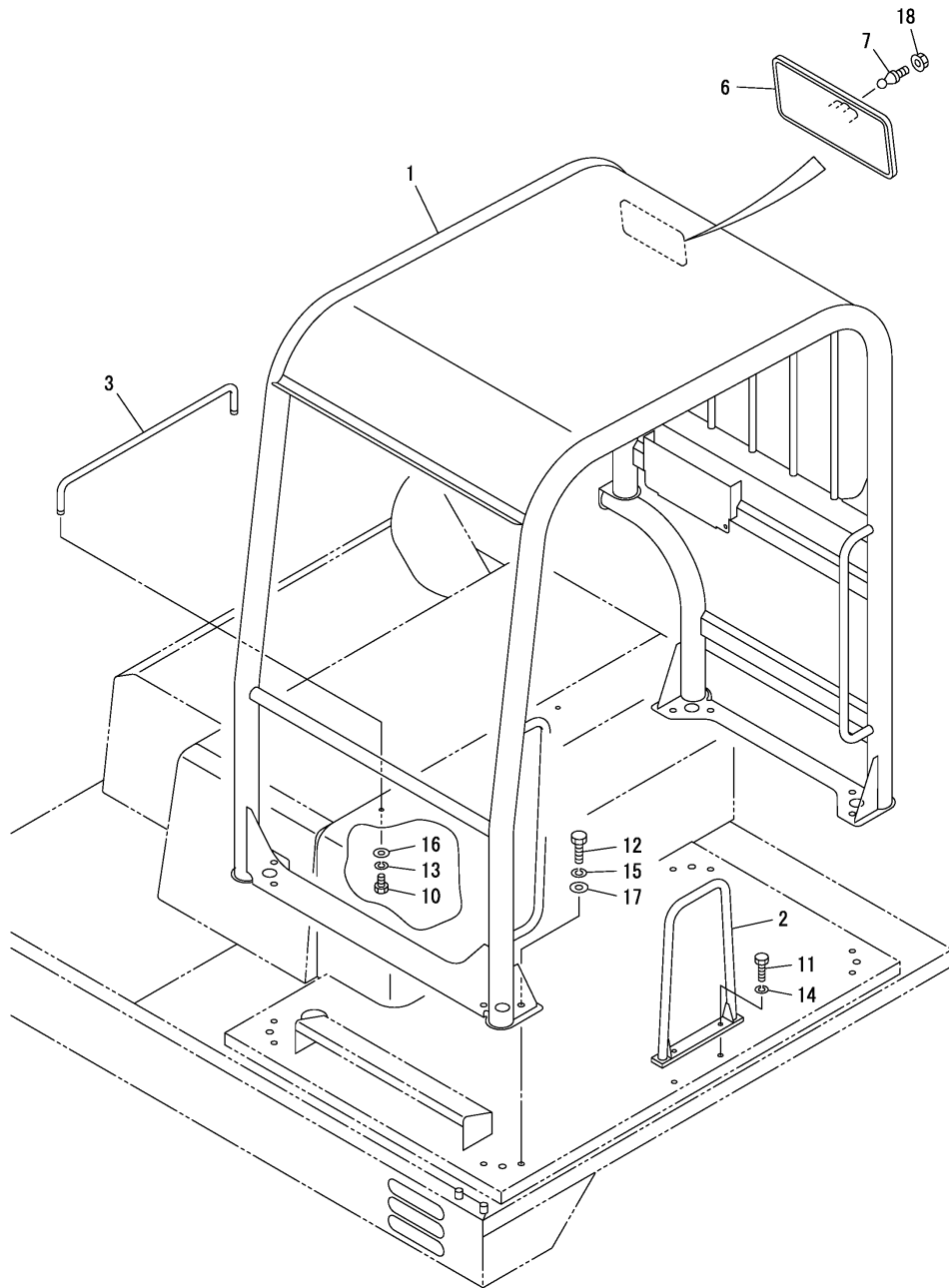
(D)=

(E)=

(F)=

No.	Lev.	Parts No.	Description	Q'ty						I	R
				(A)	(B)	(C)	(D)	(E)	(F)		
1	3	E0871866900	DOOR ASSY	1							
1A	4	E0871866950	DOOR	1							
1B	5	E0338630541	HINGE	2							
2	4	E0568639430	GLASS	1							
3	4	E0568623300	COVER	1							
4	4	E0568630900	PLATE	1							
5	4	E0568630800	ROD	1							
6	4	E0568630600	ROD	1							
7	4	E0568623400	CONRTOL ASSY, ENGINE	1							
8	4	E0568623500	COLLAR	2							
9	4	E0568623600	SEAL	2							
10	4	E0871866610	WIRE HARNESS	1							
11	4	E0871866611	PLATE	1							
12	4	E0468604400	HOLDER	1							
13	4	E1654005600	OUTER HANDLE	1							
14	4	E0068620400	LOCK	1							
15	4	E0871861650	CYLINDER LOCK	1							
15A	4	933110-00300	KEY	1							
16	4	E1654005900	STRIKER	1							
17	4	E1654005500	HANDLE	1							
18	4	E1654005800	BASE	1							
19	4	E1654005700	ESCATION	1							
21	4	E1654615280	DUM, 280CM	1							
22	4	E1654615160	DUM, 160CM	1							
23	4	E1652711432	CLIP	4							
24	4	E0068621500	SNAP	2							
25	4	E0398610900	SNAP	1							
26	4	E1652053200	GROMMET	2							
28	4	E1100290616	BOLT	2							
29	4	E1120530612	SCREW, M6X16	2							
30	4	E1120530616	SCREW	1							
31	4	E1120530608	SCREW	2							
32	4	E1120790516	SCREW	1							
33	4	E1140090006	SPRING WASHER 6	2							
34	4	E1140020006	SPRING WASHER 6	5							
36	4	E1141110006	WASHER,PLAIN 6	4							
38	4	E1130040010	NUT	2							
39	4	E1131242006	NUT	1							

Fig.54. CANOPY

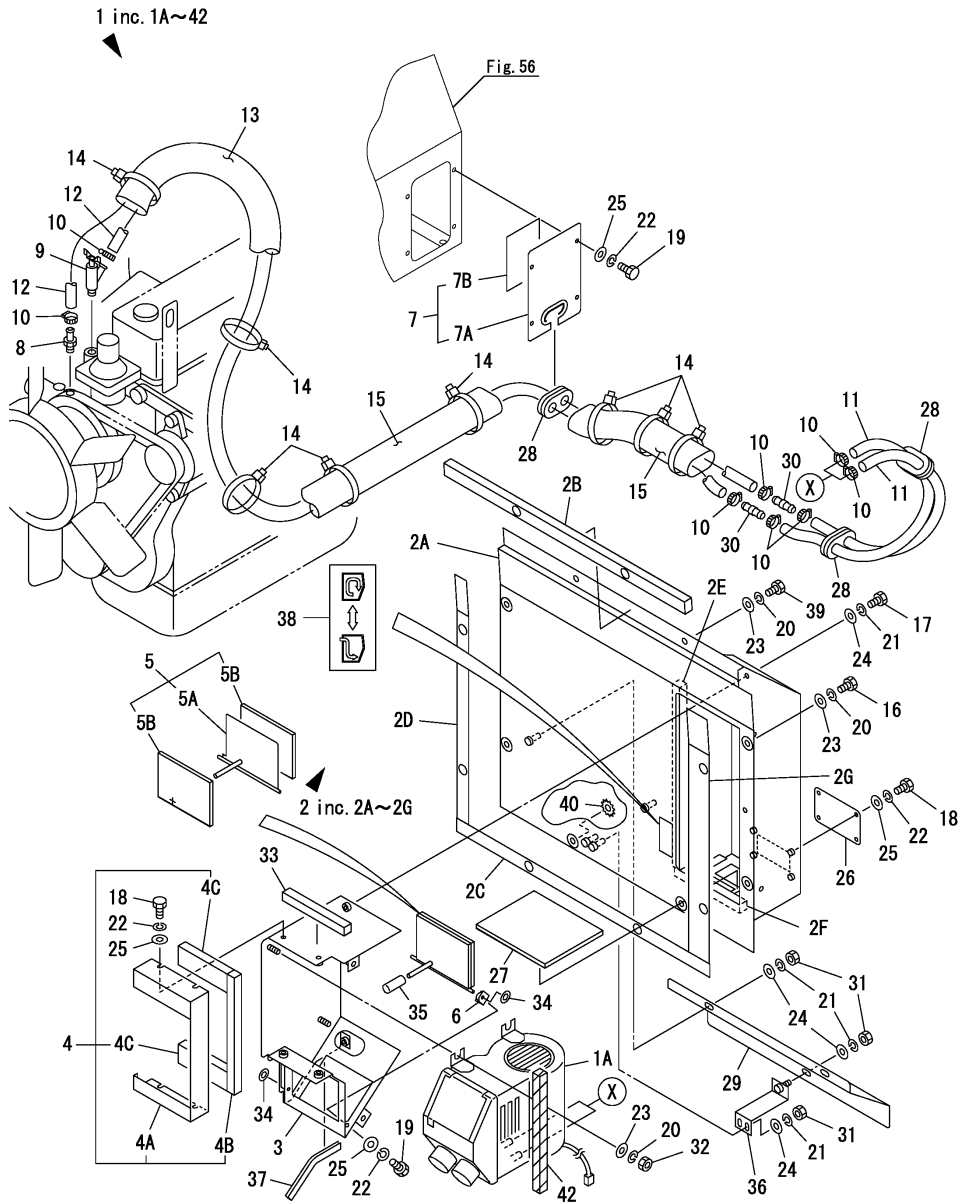


(A)=C50R-3B
(B)=
(C)=

(D)=
(E)=
(F)=

No.	Lev.	Parts No.	Description	Q'ty						I	R
				(A)	(B)	(C)	(D)	(E)	(F)		
1	1	E0871844700	CANOPY FLAME	1							
2	1	E0871844300	HANDRAIL	1							
3	1	E0871844400	BAR, HOLD	1							
6	1	E1654005400	ROOM MIRROR	1							
7	1	E1654006000	PIVOT	1							
10	1	E1100040816	BOLT M 8X 16	2							
11	1	E1100041030	BOLT M10X30	2							
12	1	E1100041245	BOLT M12X 45	8							
13	1	E1140020008	SPRING WASHER 8	2							
14	1	E1140020010	SPRING WASHER 10	2							
15	1	E1140020012	SPRING WASHER 12	8							
16	1	E1141110008	WASHER 8	2							
17	1	E1141110012	WASHER 12	8							
18	1	E1131242008	NUT, FLANGE M8	1							

Fig.55. HEATER(1)



(A)=C50R-3B

(B)=

(C)=

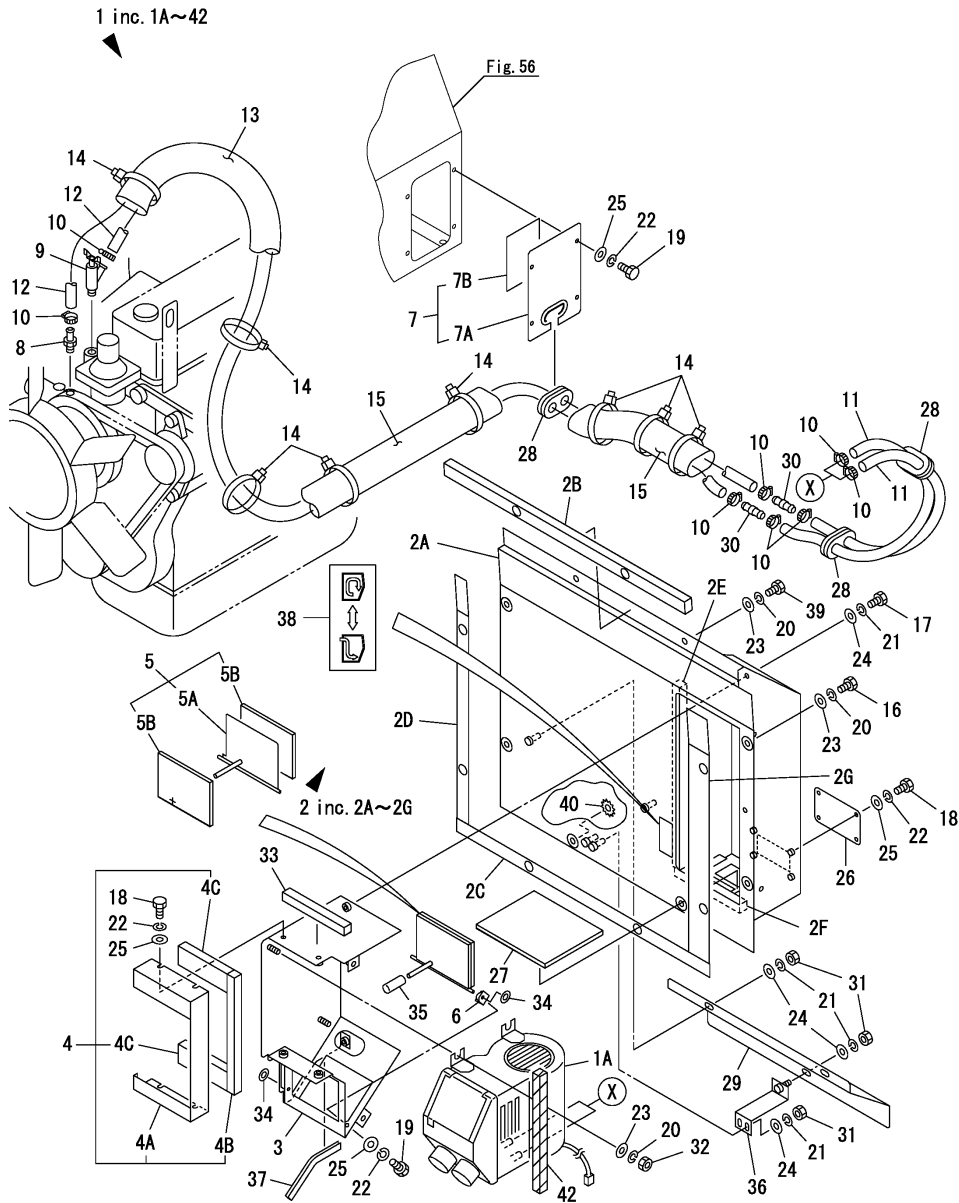
(D)=

(E)=

(F)=

No.	Lev.	Parts No.	Description	Q'ty						I	R
				(A)	(B)	(C)	(D)	(E)	(F)		
1	1	E0871451000	HEATER ASSY	1							
1A	2	E1911507651	HEATER	1							
2	2	E0871451600	COVER ASSY	1							
2A	3	E0871451700	COVER	1							
2B	3	E0871451601	URETHANE	1							
2C	3	E0871451013	URETHANE	1							
2D	3	E0871451083	URETHANE	1							
2E	3	E0871451085	URETHANE	1							
2F	3	E1654303018	URETHANE	1							
2G	3	E0871451602	URETHANE	1							
3	2	E0871451070	BRACKET	1							
4	2	E0871451090	COVER ASSY, HEATER	1							
4A	3	E0871451091	COVER, HEATER	1							
4B	3	E0871451096	URETHANE	1							
4C	3	E0871451094	URETHANE	2							
5	2	E0871460840	DAMPER ASSY	1							
5A	3	E0871460841	DAMPER	1							
5B	3	E0871460845	URETHANE	2							
6	2	E0871460850	BRACKET	1							
7	2	E0871451160	COVER ASSY	1							
7A	3	E0871451130	COVER	1							
7B	3	E0871451161	INSULATOR	1							
8	2	E0007224009	NIPPLE, HOSE	1							
9	2	E1911502300	VALVE	1							
10	2	E1911500500	CLAMP	8							
11	2	E1911501840	HOSE, HEATER	2							
12	2	E1911521800	HOSE, HEATER	2							
13	2	E1531345100	HOSE, PROTECT	1							
14	2	E1652231250	TIE-LAP	8							
15	2	E1531345030	HOSE,PROTECTOR	2							
16	2	E1100041020	BOLT M10X 20	6							
17	2	E1100040816	BOLT M 8X 16	4							
18	2	E1100040616	BOLT M 6X 16	4							
19	2	E1100040610	BOLT M 6X10	5							
20	2	E1140020010	SPRING WASHER 10	11							
21	2	E1140020008	SPRING WASHER 8	9							
22	2	E1140020006	SPRING WASHER 6	9							
23	2	E1141110010	WASHER 10	11							
24	2	E1141110008	WASHER 8	9							
25	2	E1141110006	WASHER,PLAIN 6	9							
26	2	E0871451016	PLATE	1							
27	2	E0871451017	FILTER	1							
28	2	E0337017300	GUARD, HOSE	3							
29	2	E0871451800	COVER, HOSE	1							
30	2	E0871451050	JOINT	2							
31	2	E1130040008	NUT, M8	5							
32	2	E1130040010	NUT	3							
33	2	E1654306017	SPONGE	1							
34	2	E1224100008	NUT	2							
35	2	E0543208900	KNOB	1							
36	2	E0871451100	BRACKET	1							

Fig.55. HEATER(1)

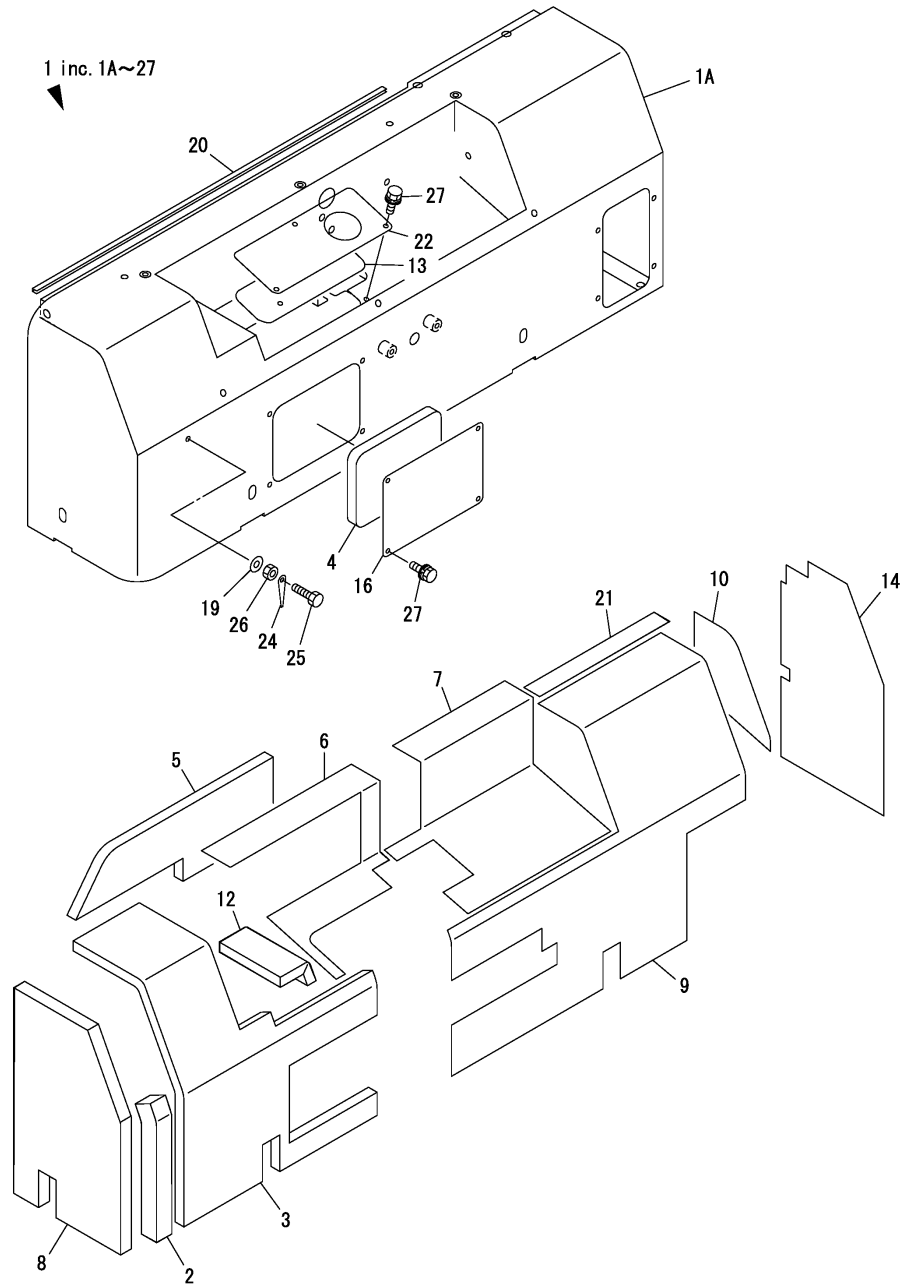


(A)=C50R-3B
(B)=
(C)=

(D)=
(E)=
(F)=

No.	Lev.	Parts No.	Description	Q'ty						I	R
				(A)	(B)	(C)	(D)	(E)	(F)		
37	2	E1653916015	SEAL, TRIM	1							
38	2	E0189311800	OPERATION LEVER	1							
39	2	E1100041016	BOLT M10X16	2							
40	2	E1140330010	WASHER, TOOTHED 10	1							
42	2	E1654306028	SPONGE	1							

Fig.56. HEATER(2)

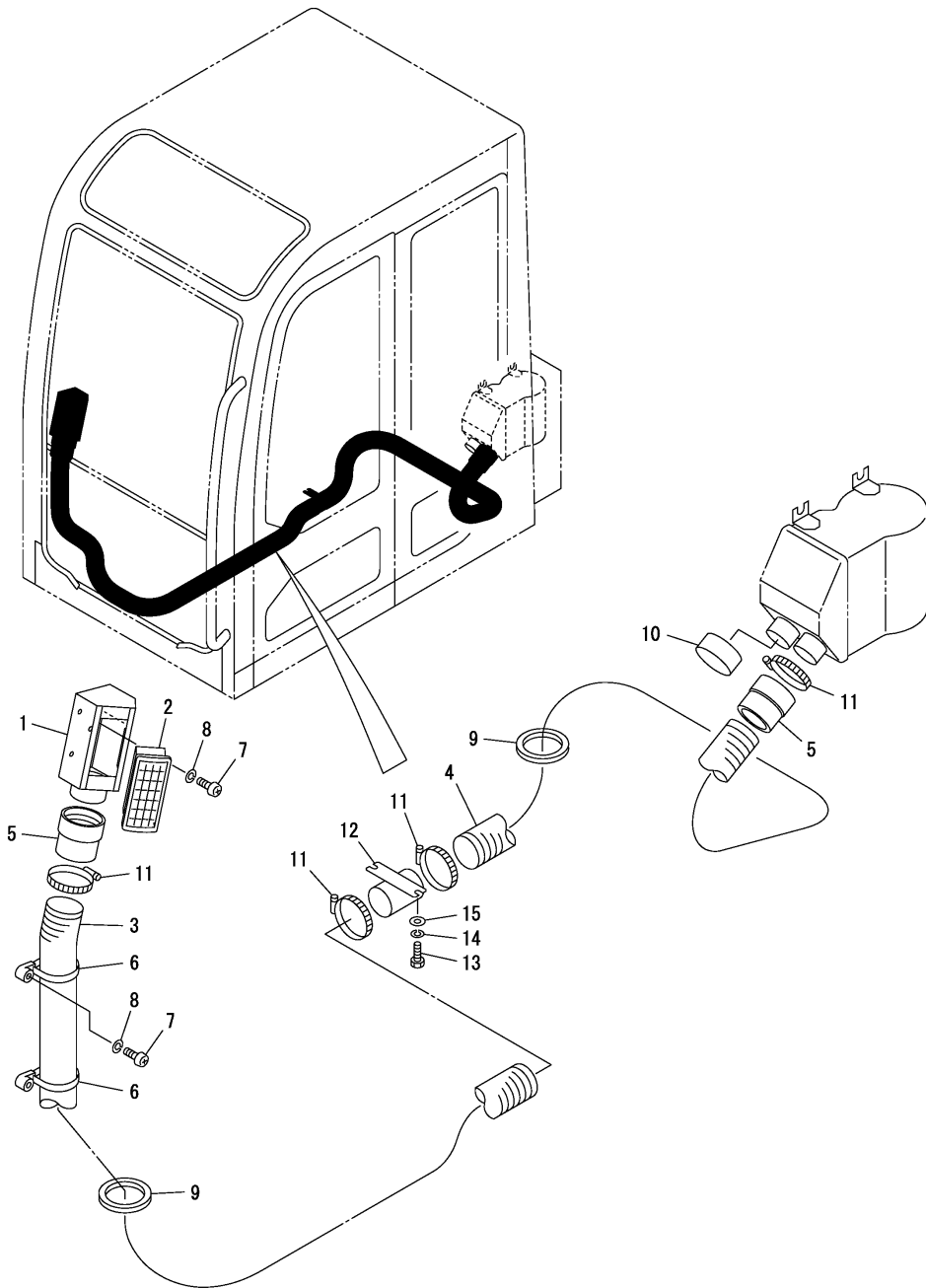


(A)=C50R-3B
(B)=
(C)=

(D)=
(E)=
(F)=

No.	Lev.	Parts No.	Description	Q'ty						I	R
				(A)	(B)	(C)	(D)	(E)	(F)		
1	1	E0871451140	COVER ASSY	1							
1A	2	E0871451150	COVER	1							
2	2	E0874820202	SPONGE	1							
3	2	E0871826103	ACOUSTIC ABSORBENT	1							
4	2	E0871825104	ACOUSTIC ABSORBENT	1							
5	2	E0871825105	ACOUSTIC ABSORBENT	1							
6	2	E0871826106	INSULATOR	1							
7	2	E0871826107	INSULATOR	1							
8	2	E0871824208	ACOUSTIC ABSORBENT	1							
9	2	E0871826109	INSULATOR	1							
10	2	E0871826110	INSULATOR	1							
12	2	E0871826112	ACOUSTIC ABSORBENT	1							
13	2	E0871826113	INSULATOR	1							
14	2	E0871826114	INSULATOR	1							
16	2	E0871825116	PLATE	1							
19	2	E1141110006	WASHER,PLAIN 6	1							
20	2	E1654520078	RUBBER	1							
21	2	E0871824241	INSULATOR	1							
22	2	E0871826122	PLATE	1							
24	2	E0871083614	PLATE	1							
25	2	E1100040620	BOLT M 6X 20	1							
26	2	E1130040006	NUT, M6	1							
27	2	E1100560612	BOLT	7							

Fig.57. DEFROSTER



(A)=C50R-3B

(B)=

(C)=

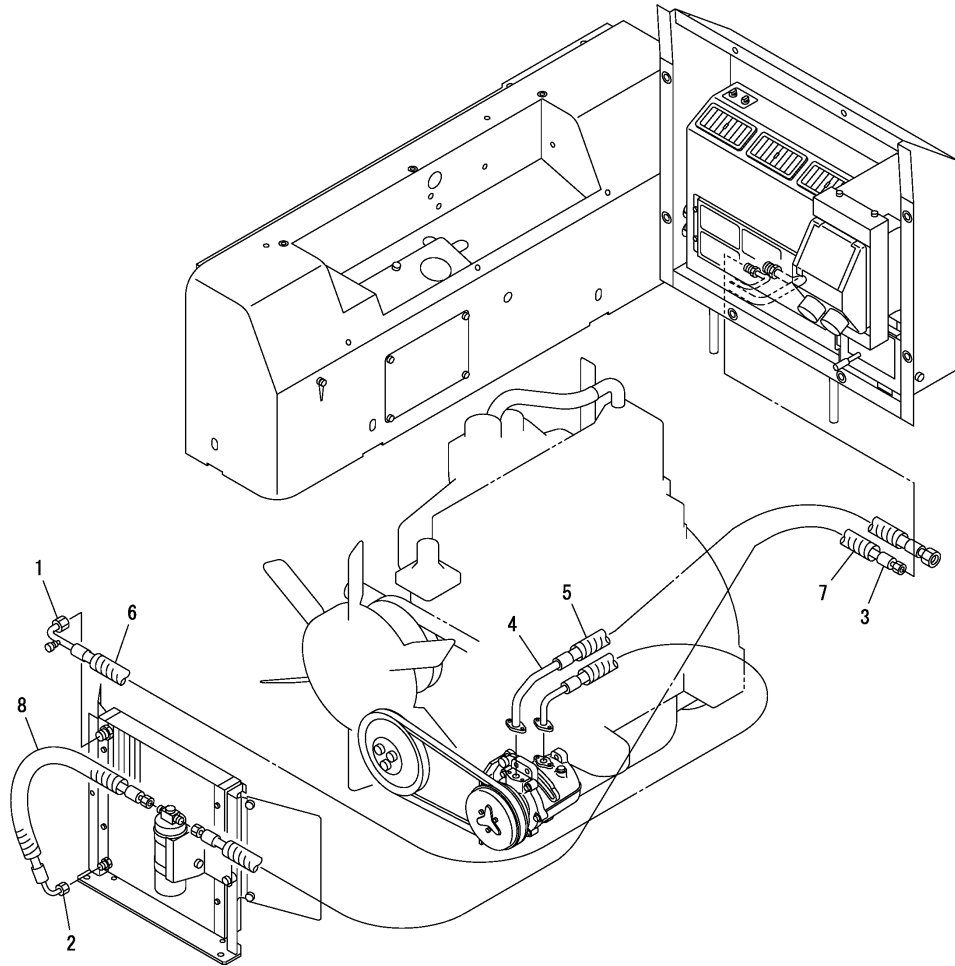
(D)=

(E)=

(F)=

No.	Lev.	Parts No.	Description	Q'ty						I	R
				(A)	(B)	(C)	(D)	(E)	(F)		
1	1	E0872453510	DEFROSTER	1							
2	1	E1911504000	LOUVER	1							
3	1	E1567415095	HOSE, DEFROSTER	1							
4	1	E1567415050	HOSE, DEFROSTER	1							
5	1	E1567325000	CUFFS	2							
6	1	E1652261410	CABLE	2							
7	1	E1120590512	SCREW, M5X12	5							
8	1	E1140090005	WASHER,SPRING M 5	5							
9	1	E1653916021	SEAL, TRIM	2							
10	1	E1911503000	COVER	1							
11	1	E1533700070	CLIP,HOSE	4							
12	1	E0871451510	PIPE	1							
13	1	E1100040820	BOLT M 8X 20	2							
14	1	E1140020008	SPRING WASHER 8	2							
15	1	E1141110008	WASHER 8	2							

Fig.58. COOLER(1)

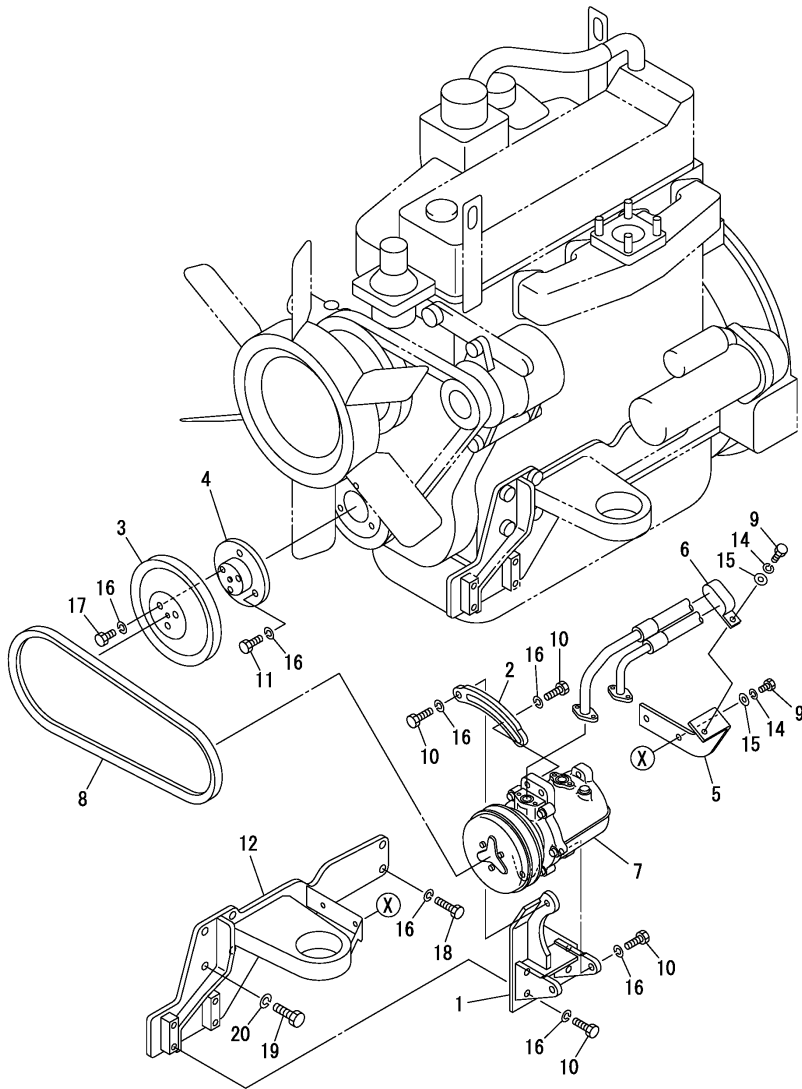


(A)=C50R-3B
(B)=
(C)=

(D)=
(E)=
(F)=

No.	Lev.	Parts No.	Description	Q'ty						I	R
				(A)	(B)	(C)	(D)	(E)	(F)		
1	1	E0871460535	HOSE, COOLER	1							
2	1	E0871460540	HOSE, COOLER	1							
3	1	E0871460550	HOSE, COOLER	1							
4	1	E0871460565	HOSE, COOLER	1							
5	1	E1532218126	TUBE, SPIRAL	1							
6	1	E1532218132	TUBE, SPIRAL	1							
7	1	E1532218165	TUBE, SPIRAL	1							
8	1	E1532218032	TUBE, SPIRAL	1							

Fig.59. COOLER(2)(COMPRESSOR)



(A)=C50R-3B
(B)=
(C)=

(D)=
(E)=
(F)=

No.	Lev.	Parts No.	Description	Q'ty						I	R
				(A)	(B)	(C)	(D)	(E)	(F)		
1	1	E0871460910	BRACKET	1							
2	1	E0871460920	PLATE	1							
3	1	E0871460930	PULLY	1							
4	1	E0871460940	SPACER	1							
5	1	E0871460950	BRACKET	1							
6	1	E0007300019	CLAMP	1							
7	1	E1911503780	COMPRESSOR	1							
8	1	E1621002041	V-BELT	1							
9	1	E1100040816	BOLT M 8X 16	3							
10	1	E1100041025	BOLT M10X 25	9							
11	1	E1100041020	BOLT M10X 20	3							
12	1	E0871460960	ENGINE FOOT	1							
14	1	E1140020008	SPRING WASHER 8	3							
15	1	E1141110008	WASHER 8	3							
16	1	E1140020010	SPRING WASHER 10	17							
17	1	E1100041016	BOLT M10X16	3							
18	1	E1100041035	BOLT M10X 35	2							
19	1	E1100041235	BOLT M12X 35	4							
20	1	E1140020012	SPRING WASHER 12	4							

Fig.60. COOLER(3)(CONDENSER))

(A)=C50R-3B

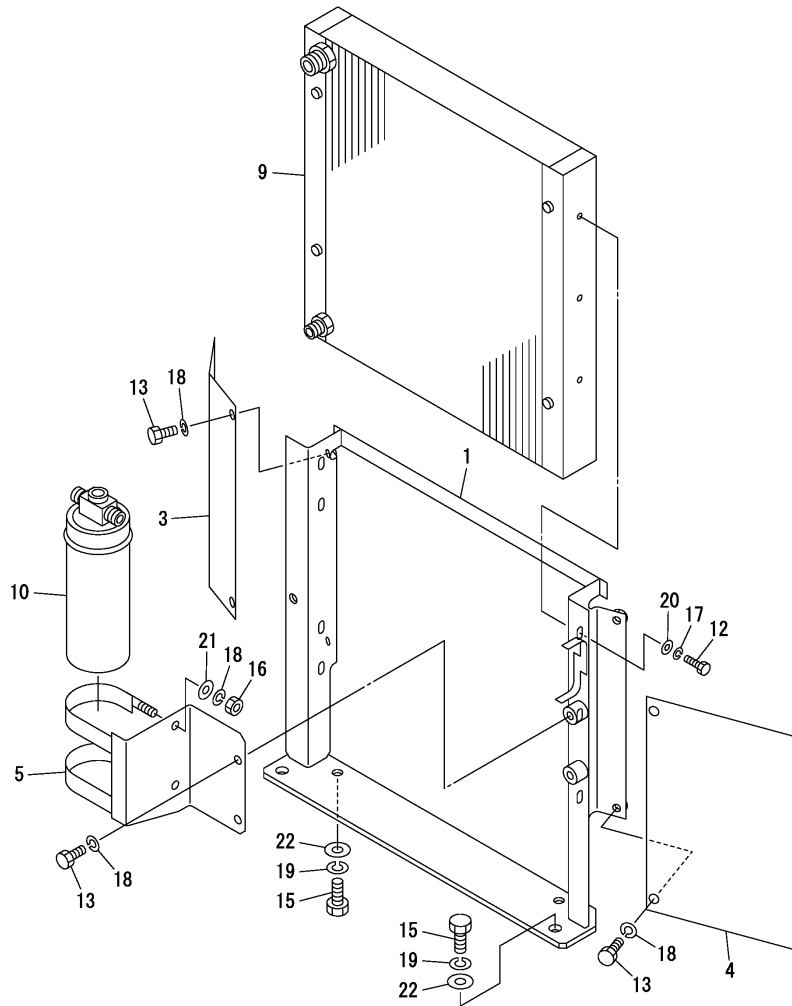
(B)=

(C)=

(D)=

(E)=

(F)=



No.	Lev.	Parts No.	Description	Q'ty						I	R
				(A)	(B)	(C)	(D)	(E)	(F)		
1	1	E0871460760	BRACKET	1							
3	1	E0871460703	PLATE	1							
4	1	E0871460704	COVER	1							
5	1	E0871460780	BAND	1							
9	1	E1911504410	CONDENSER	1							
10	1	E1911504420	DRIER, RECEIVER	1							
12	1	E1100040616	BOLT M 6X 16	7							
13	1	E1100040816	BOLT M 8X 16	6							
15	1	E1100041025	BOLT M10X 25	4							
16	1	E1130040008	NUT, M8	2							
17	1	E1140020006	SPRING WASHER 6	7							
18	1	E1140020008	SPRING WASHER 8	8							
19	1	E1140020010	SPRING WASHER 10	4							
20	1	E1141110006	WASHER,PLAIN 6	7							
21	1	E1141110008	WASHER 8	2							
22	1	E1141110010	WASHER 10	4							

Fig.61. COOLER(41)(COOLER UNIT)

(A)=C50R-3B

(B)=

(C)=

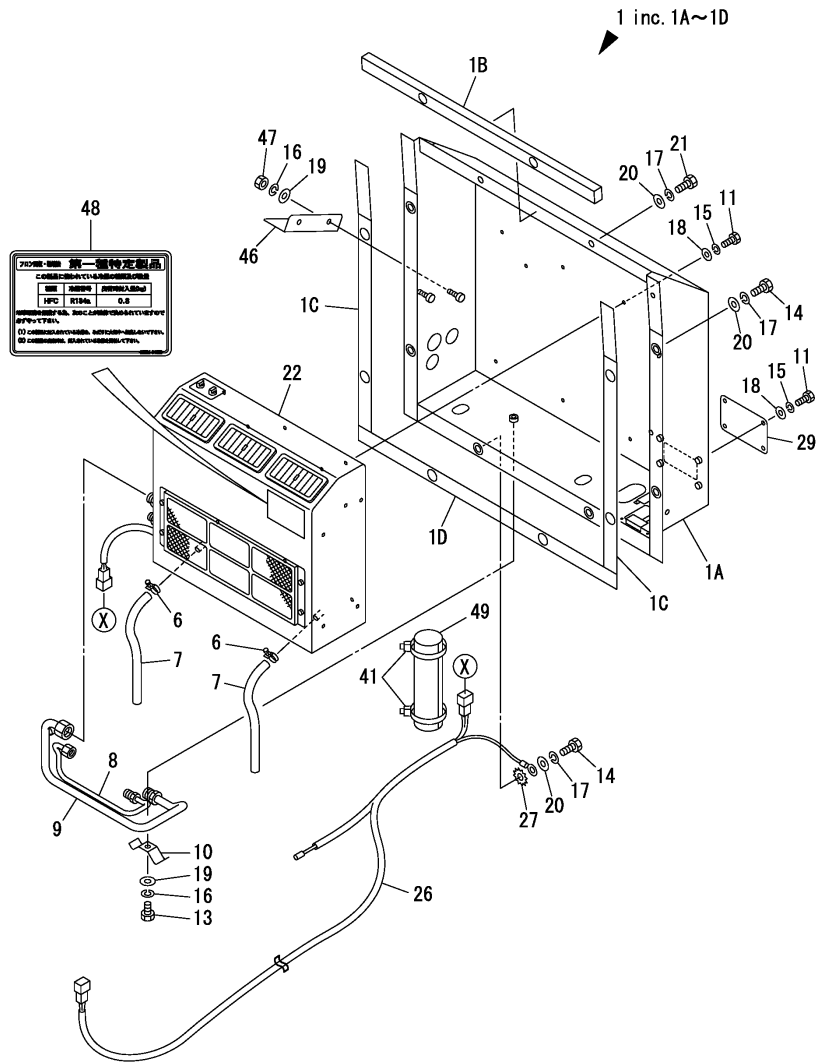
(D)=

(E)=

(F)=

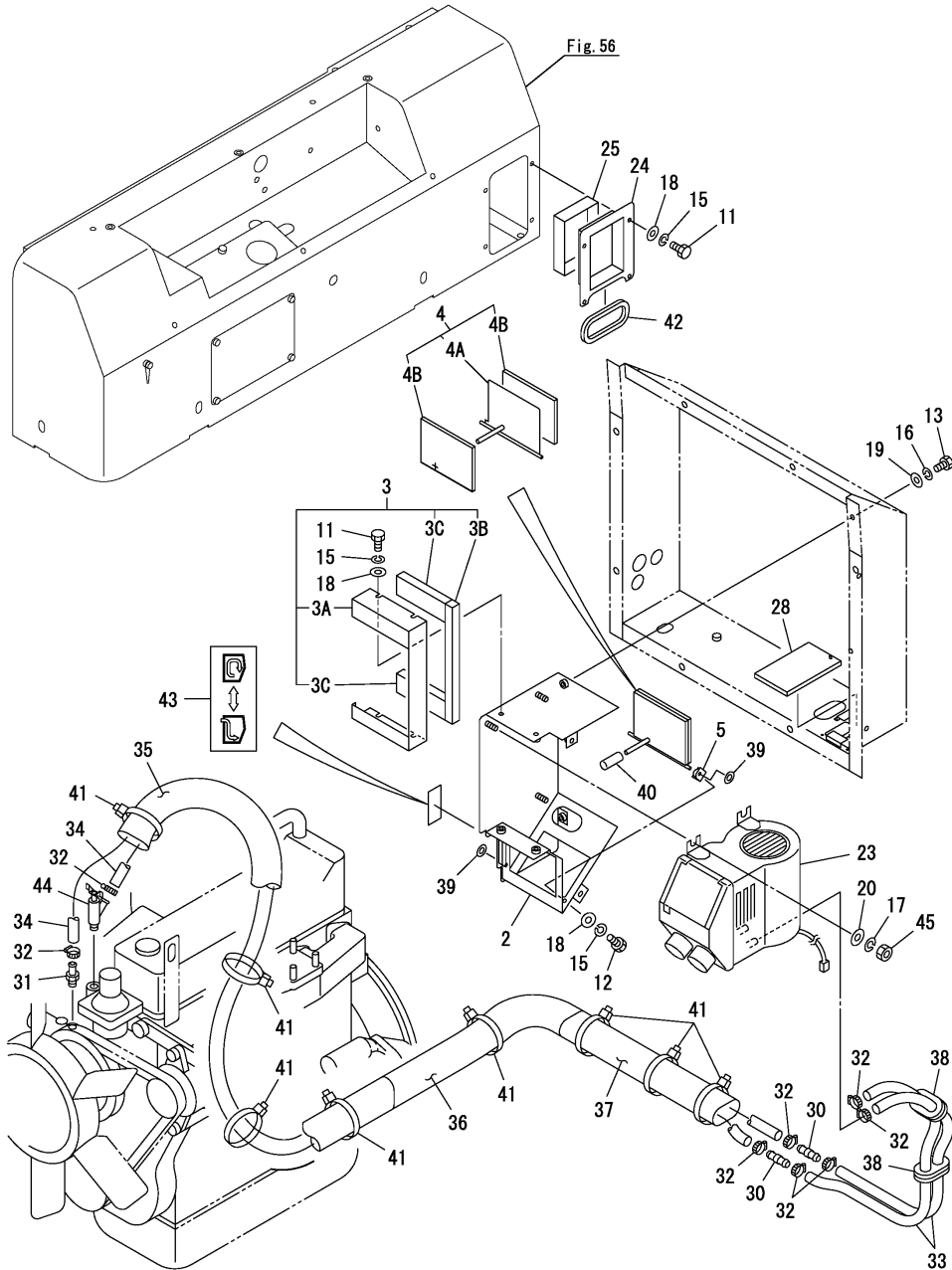
Q'ty

I R



No.	Lev.	Parts No.	Description	Q'ty						I	R
				(A)	(B)	(C)	(D)	(E)	(F)		
1	1	E0871461000	COVER ASSY	1							
1A	2	E0871461010	COVER	1							
1B	2	E0871461020	URETHANE	1							
1C	2	E0871461021	URETHANE	2							
1D	2	E0871451013	URETHANE	1							
6	1	E1533001014	BAND, HOSE	2							
7	1	E1531110025	HOSE, VINYL	2							
8	1	E0871460860	PIPE	1							
9	1	E0871460865	PIPE	1							
10	1	E0871460870	PLATE	1							
11	1	E1100040616	BOLT M 6X 16	12							
13	1	E1100040816	BOLT M 8X 16	1							
14	1	E1100041020	BOLT M10X 20	6							
15	1	E1140020006	SPRING WASHER 6	12							
16	1	E1140020008	SPRING WASHER 8	3							
17	1	E1140020010	SPRING WASHER 10	8							
18	1	E1141110006	WASHER,PLAIN 6	12							
19	1	E1141110008	WASHER 8	3							
20	1	E1141110010	WASHER 10	8							
21	1	E1100041016	BOLT M10X16	2							
22	1	E1911504400	COOLER	1							
26	1	E0871461040	WIRE HARNESS	1							
27	1	E1140330010	WASHER, TOOTHED 10	1							
29	1	E0871451016	PLATE	1							
41	1	E1652231250	TIE-LAP	2							
46	1	E0871461070	COVER, HOSE	1							
47	1	E1130040008	NUT, M8	2							
48	1	E0872464050	LABEL	1							
49	1	E1531345020	HOSE, PROTECT	1							

Fig.62. COOLER(5)(COOLER UNIT)



(A)=C50R-3B

(B)=

(C)=

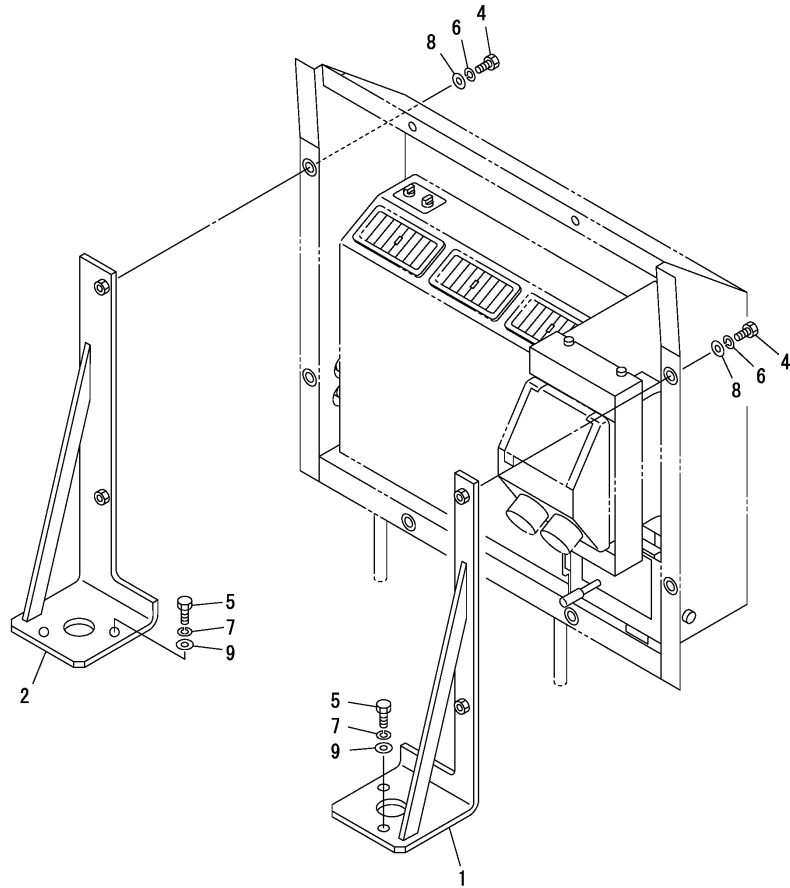
(D)=

(E)=

(F)=

No.	Lev.	Parts No.	Description	Q'ty						I	R
				(A)	(B)	(C)	(D)	(E)	(F)		
2	1	E0871461080	BRACKET	1							
3	1	E0871461050	COVER ASSY, HEATER	1							
3A	2	E0871460830	COVER, HEATER	1							
3B	2	E0871451096	URETHANE	1							
3C	2	E0871451094	URETHANE	2							
4	1	E0871460840	DAMPER ASSY	1							
4A	2	E0871460841	DAMPER	1							
4B	2	E0871460845	URETHANE	2							
5	1	E0871460850	BRACKET	1							
11	1	E1100040616	BOLT M 6X 16	8							
12	1	E1100040610	BOLT M 6X10	1							
13	1	E1100040816	BOLT M 8X 16	4							
15	1	E1140020006	SPRING WASHER 6	9							
16	1	E1140020008	SPRING WASHER 8	4							
17	1	E1140020010	SPRING WASHER 10	3							
18	1	E1141110006	WASHER,PLAIN 6	9							
19	1	E1141110008	WASHER 8	4							
20	1	E1141110010	WASHER 10	3							
23	1	E1911507651	HEATER	1							
24	1	E0871461030	PLATE	1							
25	1	E0871461035	INSULATOR	1							
28	1	E0871461060	FILTER	1							
30	1	E0871451050	JOINT	2							
31	1	E0007224009	NIPPLE, HOSE	1							
32	1	E1911500500	CLAMP	8							
33	1	E1911501860	HOSE	2							
34	1	E1911521800	HOSE, HEATER	2							
35	1	E1531345100	HOSE, PROTECT	1							
36	1	E1531345050	HOSE, PROTECT	1							
37	1	E1531345040	HOSE	1							
38	1	E0337017300	GUARD, HOSE	2							
39	1	E1224100008	NUT	2							
40	1	E0543208900	KNOB	1							
41	1	E1652231250	TIE-LAP	8							
42	1	E1653916028	SEAL, TRIM	1							
43	1	E0189311800	OPERATION LEVER	1							
44	1	E1911502300	VALVE	1							
45	1	E1130040010	NUT	3							

Fig.63. COOLER BRACKET

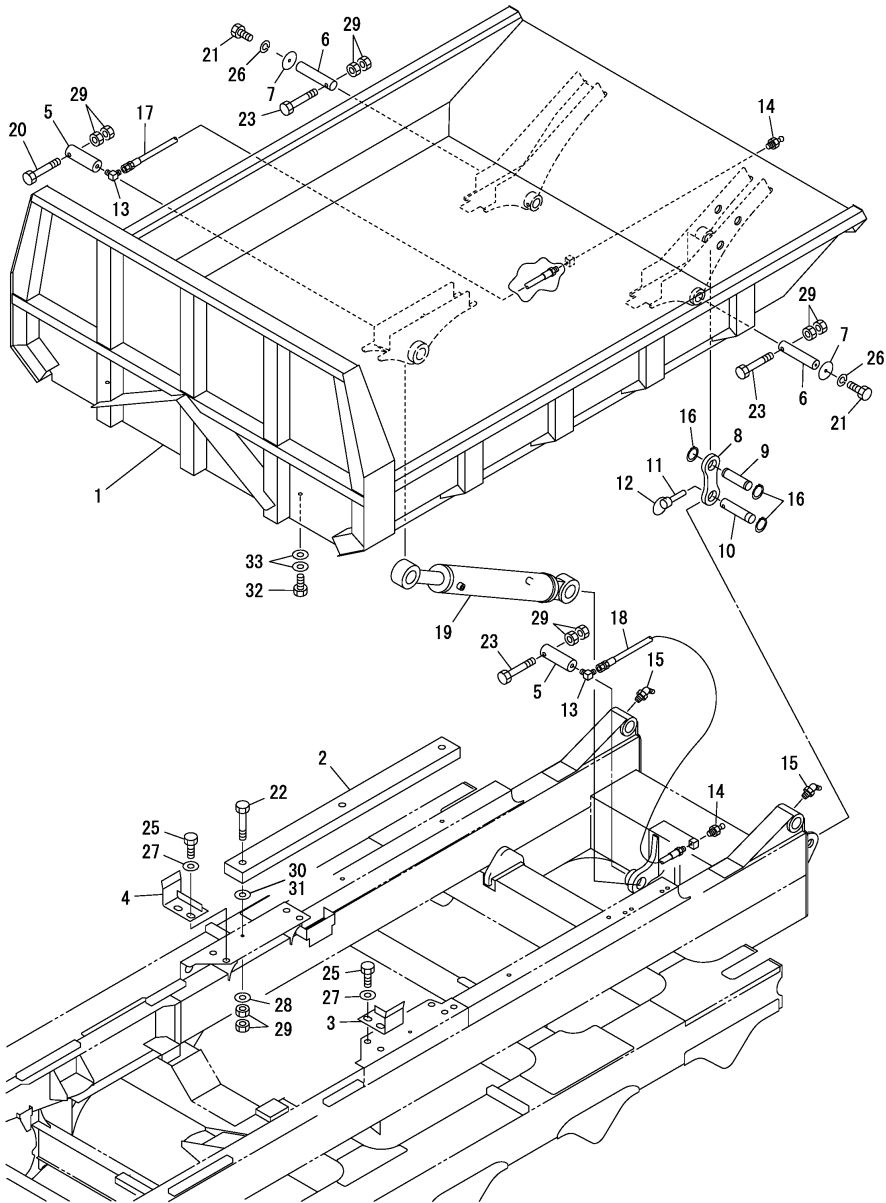


(A)=C50R-3B
(B)=
(C)=

(D)=
(E)=
(F)=

No.	Lev.	Parts No.	Description	Q'ty						I	R
				(A)	(B)	(C)	(D)	(E)	(F)		
1	1	E0871461110	BRACKET	1							
2	1	E0871461120	BRACKET	1							
4	1	E1100041020	BOLT M10X 20	4							
5	1	E1100041220	BOLT	4							
6	1	E1140020010	SPRING WASHER 10	4							
7	1	E1140020012	SPRING WASHER 12	4							
8	1	E1141110010	WASHER 10	4							
9	1	E1141110012	WASHER 12	4							

Fig.64. VESSELL



(A)=C50R-3B
(B)=
(C)=

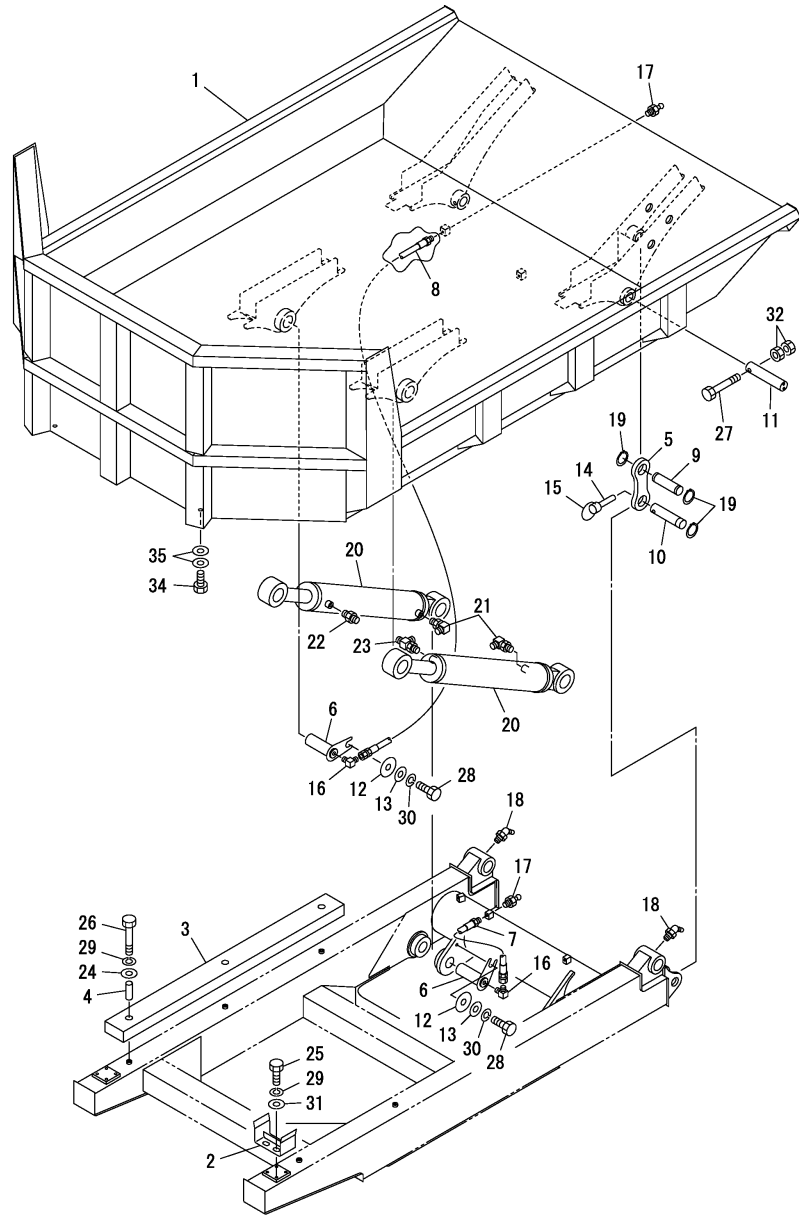
(D)=
(E)=
(F)=

No.	Lev.	Parts No.	Description	Q'ty						I	R
				(A)	(B)	(C)	(D)	(E)	(F)		
1	1	E0871605100	VESSEL	1							
2	1	E0871604840	CUSHION	2							
3	1	E0871604850	LOCK L	1							
4	1	E0871604860	LOCK R	1							
5	1	E0871601580	PIN	2							
6	1	E0871601590	PIN	2							
7	1	E0871108614	PLATE	2							
8	1	E0871605008	PLATE	1							
9	1	E0870604540	PIN	1							
10	1	E0870604550	PIN	1							
11	1	E0416100800	PIN	1							
12	1	E0416100900	RING	1							
13	1	E1513400022	ELBOW	2							
14	1	E1560001000	NIPPLE, GREASE	2							
15	1	E1560001675	NIPPLE, GREASE	2							
16	1	E1220000035	SNAP RING	3							
17	1	E0870604502	HOSE	1							
18	1	E0874600007	HOSE, HIGH PRESSURE	1							
19	1	E1900084300	CYLINDER ASSY, DUMP	1							1
20	1	E1100141005	BOLT M 5	1							
21	1	E1100041225	BOLT M12X25	2							
22	1	E1100041060	BOLT M10X 60	6							
23	1	E1100041090	BOLT M10X 90	3							
25	1	E1100042245	BOLT M22X 45	4							
26	1	E1140020012	SPRING WASHER 12	4							
27	1	E1141110022	WASHER	4							
28	1	E1141110010	WASHER 10	6							
29	1	E1130040010	NUT	20							
30	1	E0003600142	SHIM	1							2
31	1	E0003600143	SHIM	1							2
32	1	E1100041220	BOLT	2							
33	1	E1141110012	WASHER 12	4							

Remarks

- (1)COMPONENT PARTS:REFER TO FIG.87.
- (2)SELECTION USE PARTS.

Fig.65. VESSELL(TURNING)



(A)=C50R-3B

(B)=

(C)=

(D)=

(E)=

(F)=

No.	Lev.	Parts No.	Description	Q'ty						I	R
				(A)	(B)	(C)	(D)	(E)	(F)		
1	1	E0874600400	VESSEL	1							
2	1	E0870604590	LOCK,VESSEL	1							
3	1	E0874600003	CUSHION	2							
4	1	E0874600004	PIPE	6							
5	1	E0874600050	PLATE	1							
6	1	E0001794014	PIN	4							
7	1	E0874600007	HOSE, HIGH PRESSURE	2							
8	1	E0874600008	HOSE, HIGH PRESSURE	2							
9	1	E0870604540	PIN	1							
10	1	E0870604550	PIN	1							
11	1	E0001504010	PIN	2							
12	1	E0003600166	COLLAR	4							
13	1	E0003600057	WASHER	4							
14	1	E0416100800	PIN	1							
15	1	E0416100900	RING	1							
16	1	E1513400022	ELBOW	4							
17	1	E1560001000	NIPPLE, GREASE	4							
18	1	E1560001675	NIPPLE, GREASE	2							
19	1	E1220000035	SNAP RING	3							
20	1	E1900082900	CYLINDER, DUMP	2							1
21	1	E1515010041	ELBOW	2							
22	1	E1515600201	UNION	1							
23	1	E1512370007	TEE	1							
24	1	E0003600020	WASHER	6							
25	1	E1100041020	BOLT M10X 20	4							
26	1	E1100041065	BOLT M10X 65	6							
27	1	E1100041085	BOLT M10X 85	2							
28	1	E1100041225	BOLT M12X25	4							
29	1	E1140020010	SPRING WASHER 10	10							
30	1	E1140020012	SPRING WASHER 12	4							
31	1	E1141110010	WASHER 10	4							
32	1	E1130040010	NUT	4							
34	1	E1100041220	BOLT	2							
35	1	E1141110012	WASHER 12	4							

Remarks

(1)COMPONENT PARTS:REFER TO FIG.88.

N:Old $\begin{matrix} \text{Yes} \\ \text{No} \end{matrix}$ New, Q:Old $\begin{matrix} \text{No} \\ \text{Yes} \end{matrix}$ New, R:Old $\begin{matrix} \text{Yes} \\ \text{No} \end{matrix}$ New, S:Old $\begin{matrix} \text{No} \\ \text{Yes} \end{matrix}$ New, W:Add, Z:Discontinued, F:Interchangeable by set, K:Q'ty Change

Fig.66. DUMP BODY

(A)=C50R-3B

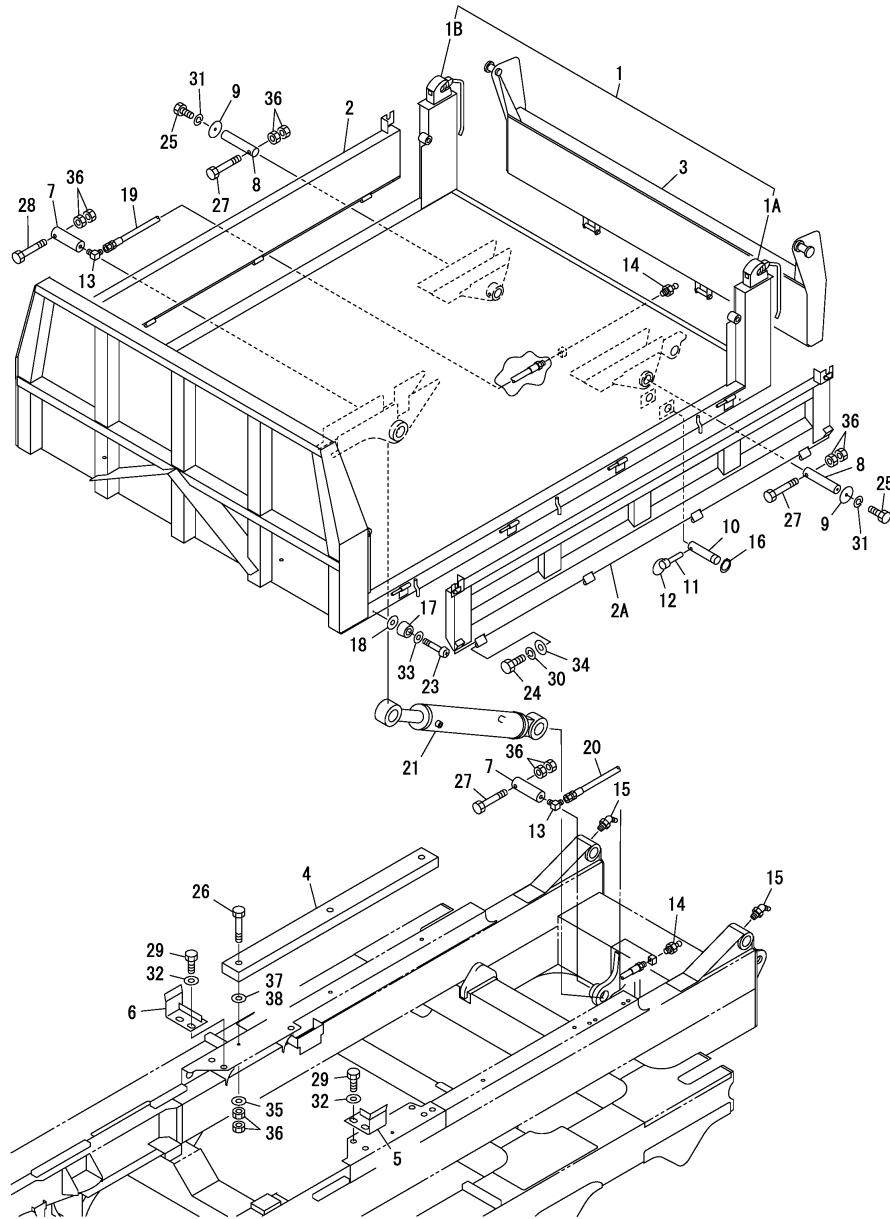
(B)=

(C)=

(D)=

(E)=

(F)=



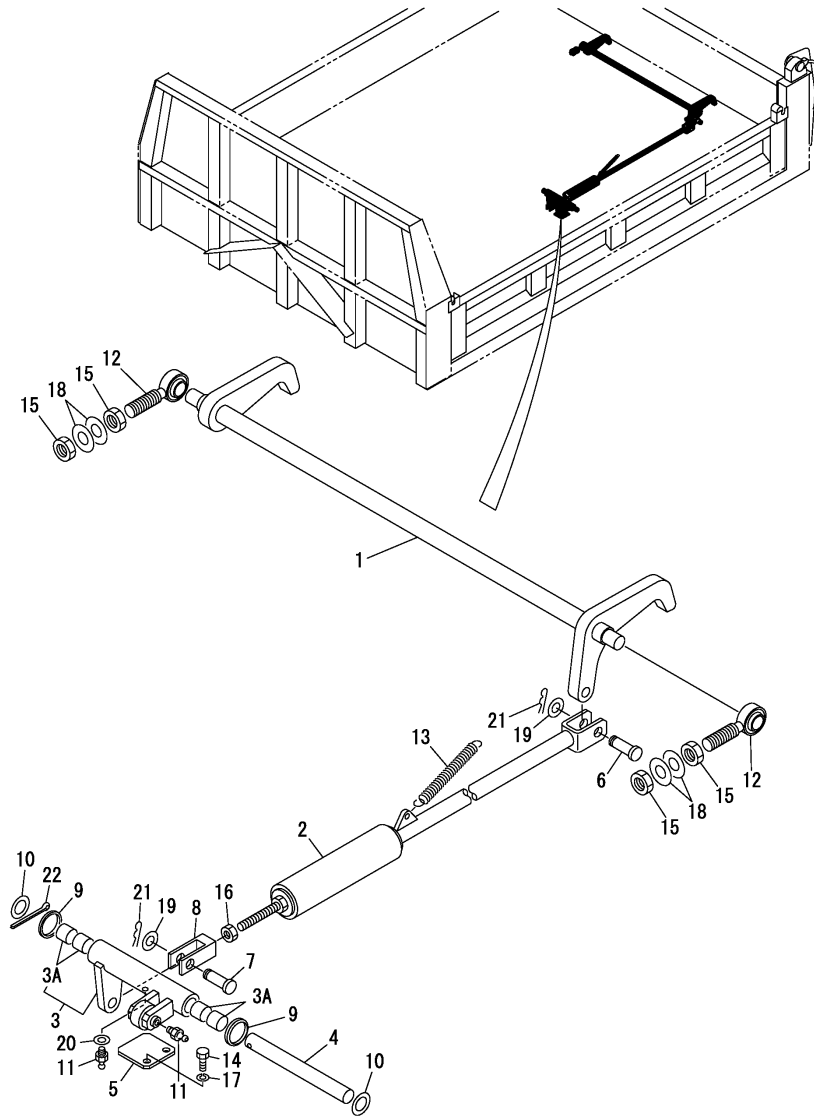
No.	Lev.	Parts No.	Description	Q'ty						I	R
				(A)	(B)	(C)	(D)	(E)	(F)		
1	1	E0871604900	DUMP BODY	1							
1A	2	E0868605626	HANDLE(LEFT)	1							
1B	2	E0868605627	HANDLE(RIGHT)	1							
2	1	E0871604510	GATE	1							
2A	1	E0871690000	GATE	1							
3	1	E0871604530	GATE	1							
4	1	E0871604840	CUSHION	2							
5	1	E0871604850	LOCK L	1							
6	1	E0871604860	LOCK R	1							
7	1	E0871601580	PIN	2							
8	1	E0871601590	PIN	2							
9	1	E0871108614	PLATE	2							
10	1	E0872605070	PIN	1							
11	1	E0416100800	PIN	1							
12	1	E0416100900	RING	1							
13	1	E1513400022	ELBOW	2							
14	1	E1560001000	NIPPLE, GREASE	2							
15	1	E1560001675	NIPPLE, GREASE	2							
16	1	E1220000035	SNAP RING	1							
17	1	E1652103225	PAD	4							
18	1	E0003600033	WASHER	4							
19	1	E0870604502	HOSE	1							
20	1	E0874600007	HOSE, HIGH PRESSURE	1							
21	1	E1900084300	CYLINDER ASSY, DUMP	1							1
23	1	E1120530530	SCREW	4							
24	1	E1100040620	BOLT M 6X 20	2							
25	1	E1100041225	BOLT M12X25	4							
26	1	E1100041060	BOLT M10X 60	6							
27	1	E1100041090	BOLT M10X 90	3							
28	1	E1100141005	BOLT M 5	1							
29	1	E1100042245	BOLT M22X 45	4							
30	1	E1140020006	SPRING WASHER 6	2							
31	1	E1140020012	SPRING WASHER 12	4							
32	1	E1141110022	WASHER	4							
33	1	E1140010005	SPRING WASHER 5	4							
34	1	E1140010006	SPRING WASHER 6	2							
35	1	E1141110010	WASHER 10	6							
36	1	E1130040010	NUT	20							
37	1	E0003600142	SHIM	1							2
38	1	E0003600143	SHIM	1							2

Remarks

(1)COMPONENT PARTS:REFER TO FIG.87.

(2)SELECTION USE PARTS.

Fig.67. REAR LINK



(A)=C50R-3B
(B)=
(C)=

(D)=
(E)=
(F)=

No.	Lev.	Parts No.	Description	Q'ty						I	R
				(A)	(B)	(C)	(D)	(E)	(F)		
1	1	E0871620520	HOOK LEVER	1							
2	1	E0871620550	SPRING ASSY	1							
3	1	E0872622600	LEVER COMP.	1							
3A	2	E1333002020	BUSHING	4							
4	1	E0872622650	SHAFT, LEVER	1							
5	1	E0872622660	PLATE	1							
6	1	E0004015001	PIN	1							
7	1	E0004015002	PIN	1							
8	1	E0005515050	YOKE	1							
9	1	E0353205032	SEAL	2							
10	1	E0093208300	WASHER	2							
11	1	E1560011006	NIPPLE, GREASE	2							
12	1	E1340600200	END, ROD	2							
13	1	E0007000092	SPRING	1							
14	1	E1100241025	BOLT M10X 25	2							
15	1	E1130640020	NUT, M20, P1.5	4							
16	1	E1130540012	NUT, M12, 7T-P1.5	1							
17	1	E1140020010	SPRING WASHER 10	2							
18	1	E1141110020	WASHER 20	4							
19	1	E1141110016	WASHER,PLAIN M16	2							
20	1	E1141110006	WASHER,PLAIN 6	1							
21	1	E1214000012	PIN, SNAP	2							
22	1	E1210010563	COTTER PIN	1							

Fig.69. LABEL

(A)=C50R-3B

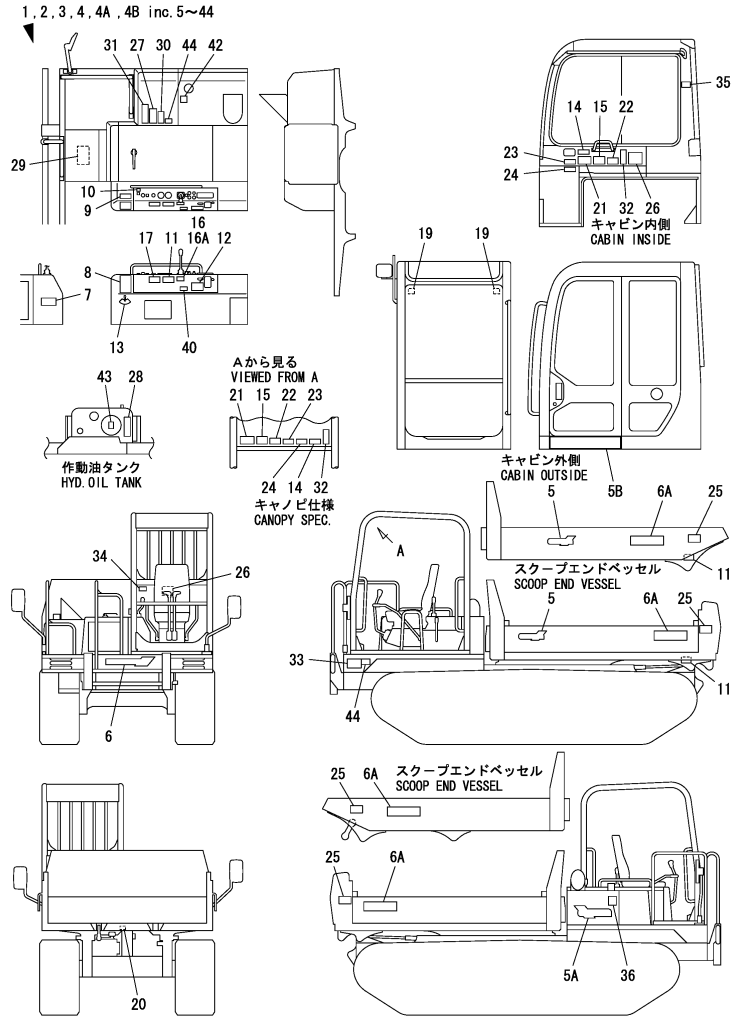
(B)=

(C)=

(D)=

(E)=

(F)=

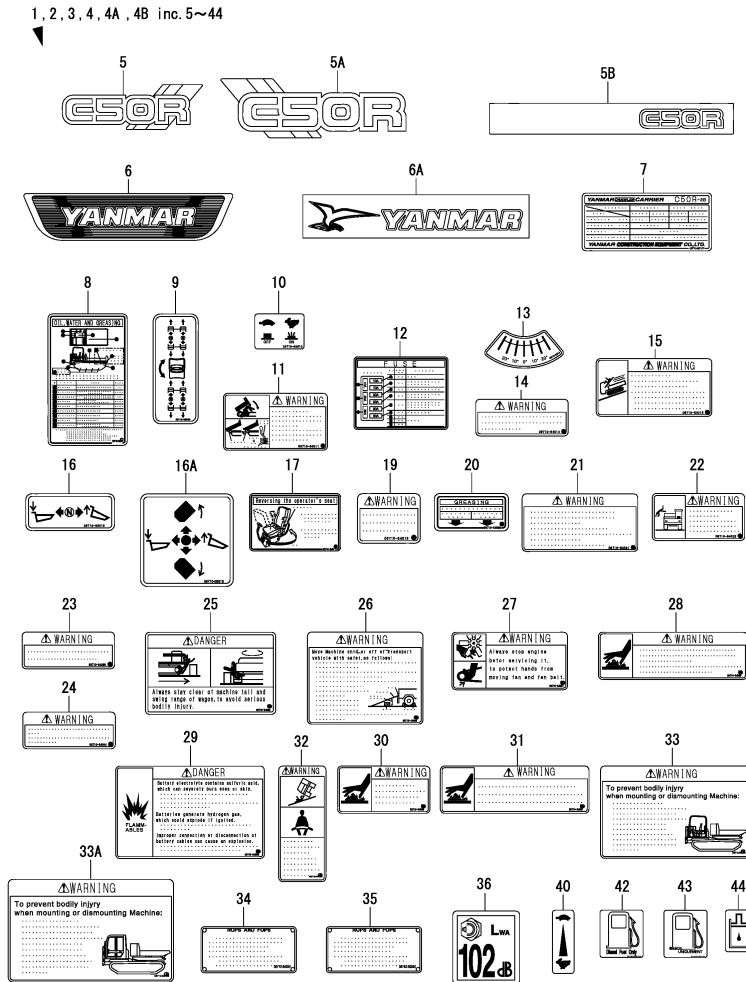


No.	Lev.	Parts No.	Description	Q'ty						I	R
				(A)	(B)	(C)	(D)	(E)	(F)		
1	1	E0871085000	LABEL ASSY(CANOPY)	1						1	
2	1	E0871085200	LABEL ASSY(CANOPY)	1						2	
3	1	E0871085100	LABEL ASSY(CABIN)	1						3	
4	1	E0871085300	LABEL ASSY(CABIN)	1						4	
4A	1	E0871085400	LABEL ASSY(CANOPY)	1						5	
4B	1	E0871085500	LABEL ASSY(CABIN)	1						6	
5	2	E0871083601	LABEL MODEL	1						7	
5A	2	E0871081002	LABEL,MODEL	1							
5B	2	E0871083703	LABEL,MODEL	1						8	
6	2	E0871084547	LABEL	1							
6A	2	E0871084548	LABEL	2							
7	2	E0871085107	LABEL	1						9	
8	2	E0871084008	LABEL	1							
9	2	E0871083609	LABEL	1							
10	2	E0871083610	LABEL	1							
11	2	E0871084011	LABEL	2						9	
12	2	E0871084012	LABEL	1						9	
13	2	E0871083613	LABEL	1							
14	2	E0871084014	LABEL	1						9	
15	2	E0871084015	LABEL	1						9	
16	2	E0871083616	LABEL	1							
16A	2	E0871083816	LABEL	1						B	
17	2	E0871084017	LABEL	1						9	
19	2	E0871084019	LABEL	2						9	
20	2	E0871084020	LABEL	1						9	
21	2	E0871084021	LABEL	1						9	
22	2	E0871084022	LABEL	1						9	
23	2	E0871084023	LABEL	1						9	
24	2	E0871084024	LABEL	1						9	
25	2	E0871084025	LABEL	2						9	
26	2	E0871084026	LABEL	1						9	
27	2	E0871084027	LABEL	1						9	
28	2	E0871084028	LABEL	1						9	
29	2	E0871084029	LABEL	1						9	
30	2	E0871084030	LABEL	1						9	
31	2	E0871084031	LABEL	2						9	
32	2	E0871084032	LABEL	1						9	
33	2	E0871084033	LABEL	1						9	
33A	2	E0871084133	LABEL	1						9	
34	2	E0871084034	LABEL	1						7	
35	2	E0874030340	LABEL	1						8	
36	2	E0579300035	LABEL	1						A	
40	2	E0359317200	LABEL	1							
42	2	E0359306600	MARK	1							
43	2	E0339375460	MARK	1							
44	2	E0359306700	MARK	2							

Remarks

- (1)CANOPY SPEC:FOR US YANMAR.
- (2)CANOPY SPEC:FOR EP YANMAR.
- (3)CABIN SPEC:FOR US YANMAR.
- (4)CABIN SPEC:FOR EP YANMAR.
- (5)CANOPY SPEC,TURNING SPEC:FOR US.
- (6)CABIN SPEC,TURNING SPEC:FOR EP.
- (7)CANOPY SPEC.
- (8)CABIN SPEC.
- (9)FOR US YANMAR.
- (A)FOR EP YANMAR.
- (B)TURNING TYPE.

Fig.70. LABEL



Remarks

- (1)CANOPY SPEC:FOR US YANMAR.
- (2)CANOPY SPEC:FOR EP YANMAR.
- (3)CABIN SPEC:FOR US YANMAR.
- (4)CABIN SPEC:FOR EP YANMAR.
- (5)CANOPY SPEC,TURNING SPEC:FOR US.
- (6)CABIN SPEC,TURNING SPEC:FOR EP.
- (7)CANOPY SPEC.
- (8)CABIN SPEC.
- (9)FOR US YANMAR.
- (A)FOR EP YANMAR.
- (B)TURNING TYPE.

(A)=C50R-3B
(B)=
(C)=

(D)=
(E)=
(F)=

No.	Lev.	Parts No.	Description	Q'ty						I	R
				(A)	(B)	(C)	(D)	(E)	(F)		
1	1	E0871085000	LABEL ASSY(CANOPY)	1							1
2	1	E0871085200	LABEL ASSY(CANOPY)	1							2
3	1	E0871085100	LABEL ASSY(CABIN)	1							3
4	1	E0871085300	LABEL ASSY(CABIN)	1							4
4A	1	E0871085400	LABEL ASSY(CANOPY)	1							5
4B	1	E0871085500	LABEL ASSY(CABIN)	1							6
5	2	E0871083601	LABEL MODEL	1							7
5A	2	E0871081002	LABEL,MODEL	1							
5B	2	E0871083703	LABEL,MODEL	1							8
6	2	E0871084547	LABEL	1							
6A	2	E0871084548	LABEL	2							
7	2	E0871085107	LABEL	1							9
8	2	E0871084008	LABEL	1							
9	2	E0871083609	LABEL	1							
10	2	E0871083610	LABEL	1							
11	2	E0871084011	LABEL	2							9
12	2	E0871084012	LABEL	1							9
13	2	E0871083613	LABEL	1							
14	2	E0871084014	LABEL	1							9
15	2	E0871084015	LABEL	1							9
16	2	E0871083616	LABEL	1							
16A	2	E0871083816	LABEL	1							B
17	2	E0871084017	LABEL	1							9
19	2	E0871084019	LABEL	2							9
20	2	E0871084020	LABEL	1							9
21	2	E0871084021	LABEL	1							9
22	2	E0871084022	LABEL	1							9
23	2	E0871084023	LABEL	1							9
24	2	E0871084024	LABEL	1							9
25	2	E0871084025	LABEL	2							9
26	2	E0871084026	LABEL	1							9
27	2	E0871084027	LABEL	1							9
28	2	E0871084028	LABEL	1							9
29	2	E0871084029	LABEL	1							9
30	2	E0871084030	LABEL	1							9
31	2	E0871084031	LABEL	2							9
32	2	E0871084032	LABEL	1							9
33	2	E0871084033	LABEL	1							9
33A	2	E0871084133	LABEL	1							9
34	2	E0871084034	LABEL	1							7
35	2	E0874030340	LABEL	1							8
36	2	E0579300035	LABEL	1							A
40	2	E0359317200	LABEL	1							
42	2	E0359306600	MARK	1							
43	2	E0339375460	MARK	1							
44	2	E0359306700	MARK	2							

Fig.71. TOOL

(A)=C50R-3B

(B)=

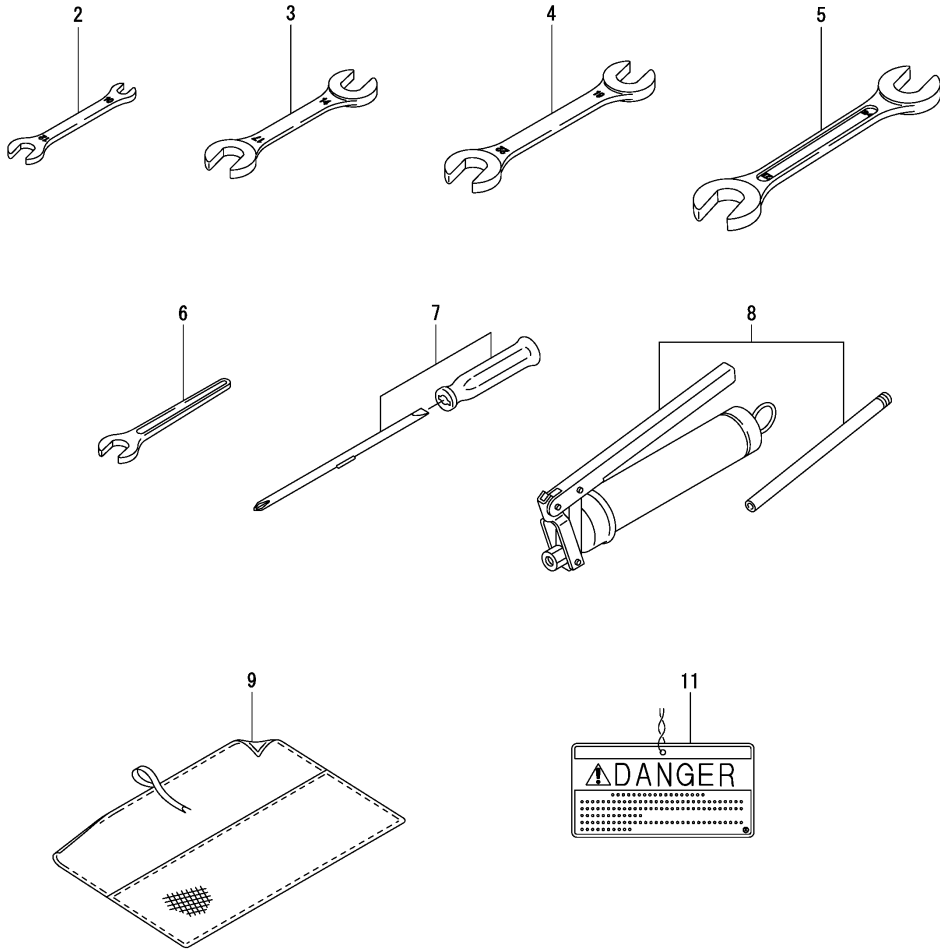
(C)=

(D)=

(E)=

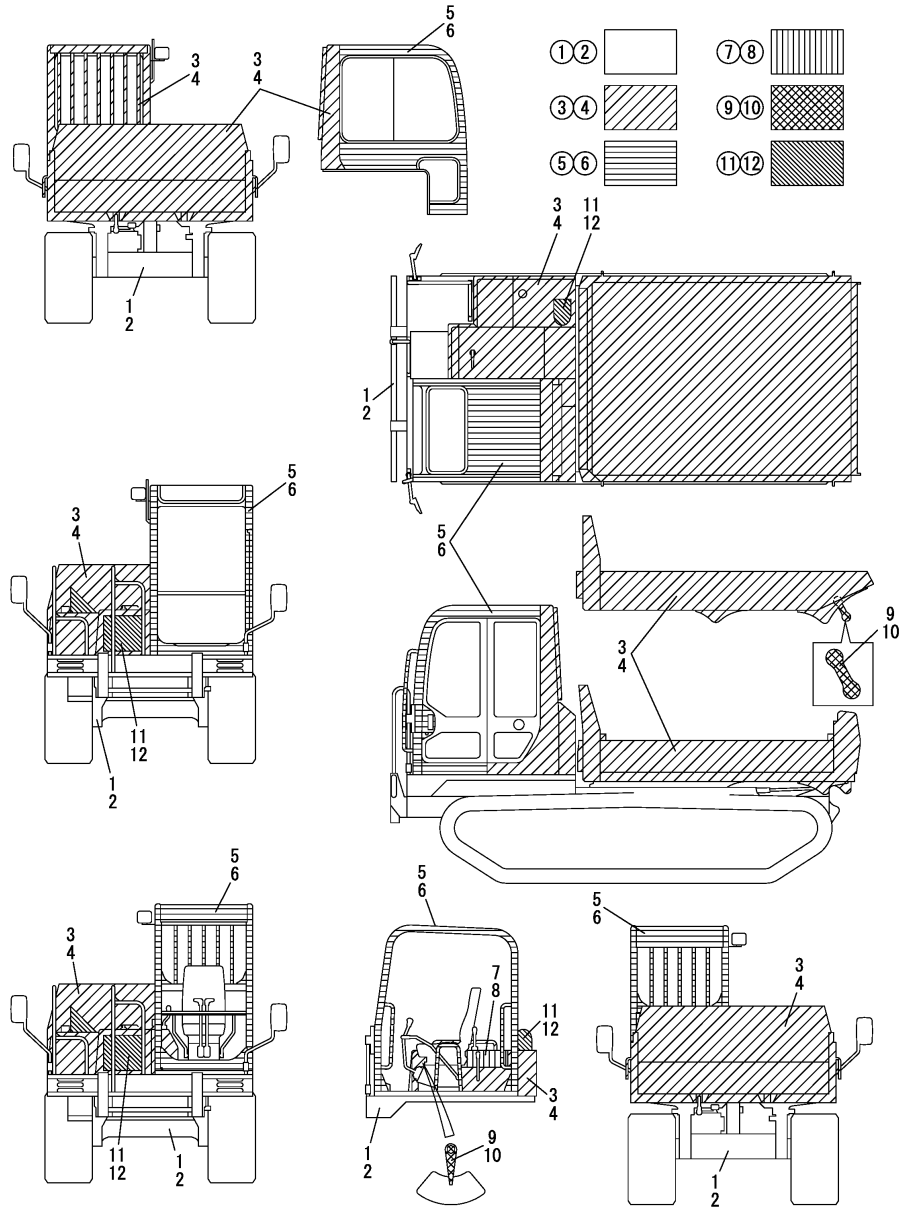
(F)=

1 inc. 2~9



No.	Lev.	Parts No.	Description	Q'ty						I	R
				(A)	(B)	(C)	(D)	(E)	(F)		
1	1	E0871921000	TOOL KIT	1							
2	2	E1690001012	WRENCH	1							
3	2	E1690001417	WRENCH	1							
4	2	E1690001922	WRENCH	1							
5	2	E1690002427	WRENCH	1							
6	2	E1690100013	WRENCH	1							
7	2	E1690220205	DRIVER	1							
8	2	E1691000800	GREASE POMP	1							
9	2	E1691400003	BAG, TOOL	1							
11	1	E0871084050	LABEL	1							

Fig.72. PAINTED COLOR



(A)=C50R-3B
(B)=
(C)=

(D)=
(E)=
(F)=

No.	Lev.	Parts No.	Description	Q'ty						I	R
				(A)	(B)	(C)	(D)	(E)	(F)		
1	1	TOR-91390000	YANMAR NAVY GRAY	1							1
2	1	TOR-94800490	YANMAR NAVY GRAY	1							2
3	1	977620-40870	PAINT,NEW PERM. YEL	1							1
3-1	1	977620-40871 (A=M45630)	PAINT,NEW PERM. YEL2	1							S 1
4	1	977620-30871	SPRAY,NEW PERM. YEL	1							2
4-1	1	977620-30872 (A=M45630)	SPRAY,NEW PERM. YEL2	1							S 2
5	1	977620-40830	PAINT,GRAYISH GREEN	1							1
6	1	977620-30N41	SPRAY,GREENISH GREEN	1							2
7	1	977620-40720	PAINT,DARK OLIVE GRY	1							1
8	1	TOR-94800720	DARK OLIVE GRAY	1							2
9	1	977620-40500	YANMAR RED 1	1							1
10	1	TOR-94800500	YANMAR RED 1	1							2
11	1	TOR-91220001	YANMAR BLACK	1							1
12	1	TOR-94800120	YANMAR BLACK(12)	1							2

Remarks
(1)4L CAN
(2)SPRAY CAN

Fig.73. PAINTED COLOR(TURNING)

(A)=C50R-3B

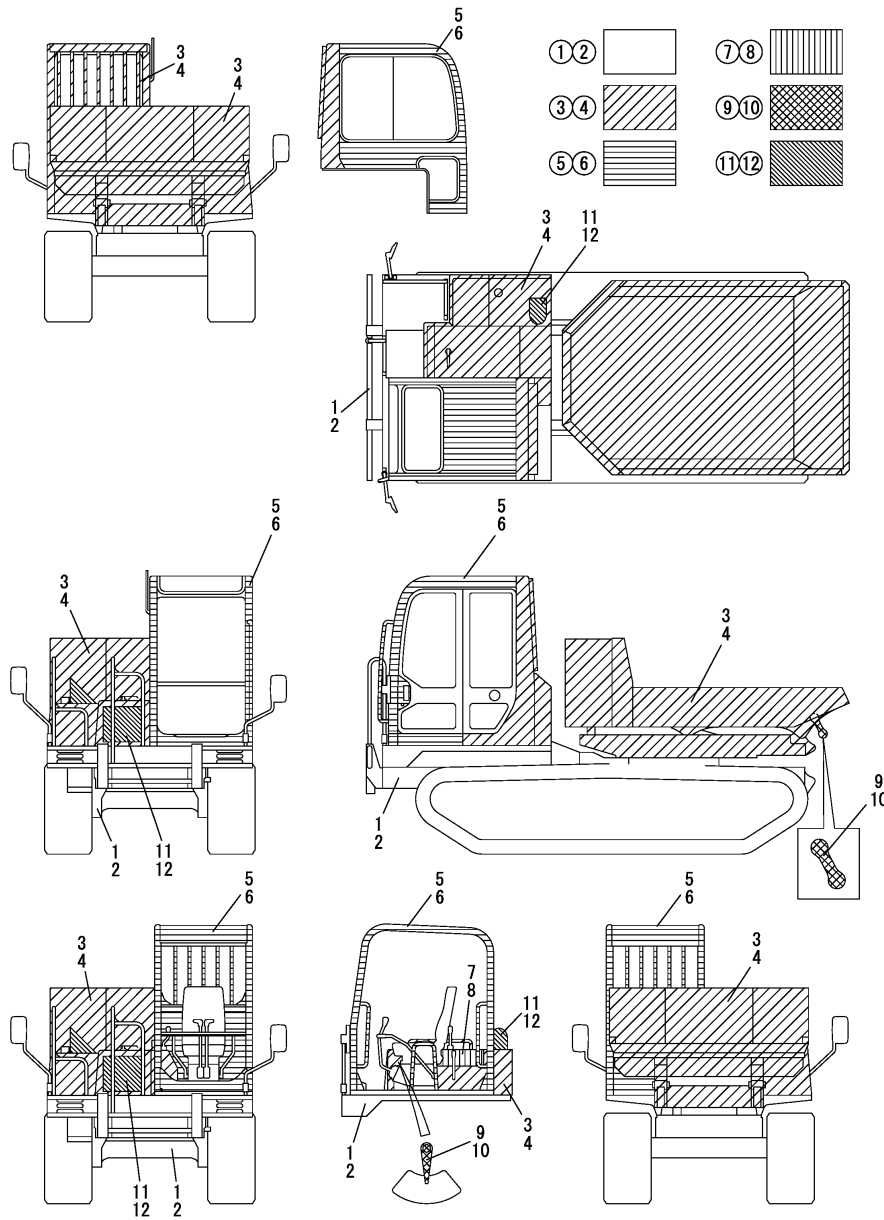
(B)=

(C)=

(D)=

(E)=

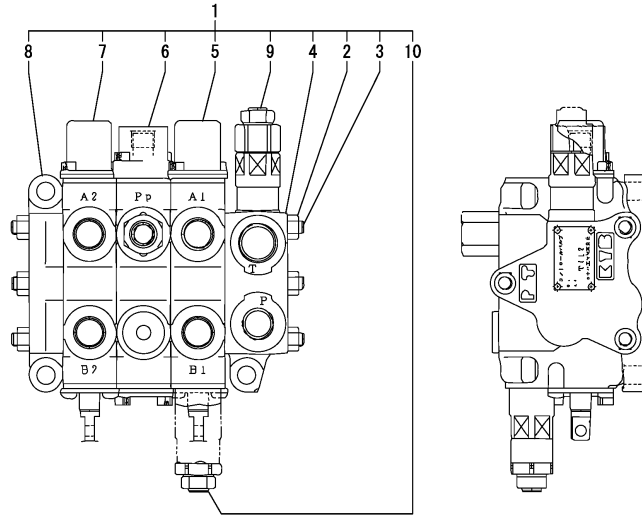
(F)=



No.	Lev.	Parts No.	Description	Q'ty						I	R
				(A)	(B)	(C)	(D)	(E)	(F)		
1	1	TOR-91390000	YANMAR NAVY GRAY	1							1
2	1	TOR-94800490	YANMAR NAVY GRAY	1							2
3	1	977620-40870	PAINT,NEW PERM. YEL	1							1
3-1	1	977620-40871 (A=M45630)	PAINT,NEW PERM. YEL2	1							S 1
4	1	977620-30871	SPRAY,NEW PERM. YEL	1							2
4-1	1	977620-30872 (A=M45630)	SPRAY,NEW PERM. YEL2	1							S 2
5	1	977620-40830	PAINT,GRAYISH GREEN	1							1
6	1	977620-30N41	SPRAY,GREENISH GREEN	1							2
7	1	977620-40720	PAINT,DARK OLIVE GRY	1							1
8	1	TOR-94800720	DARK OLIVE GRAY	1							2
9	1	977620-40500	YANMAR RED 1	1							1
10	1	TOR-94800500	YANMAR RED 1	1							2
11	1	TOR-91220001	YANMAR BLACK	1							1
12	1	TOR-94800120	YANMAR BLACK(12)	1							2

Remarks
 (1)4L CAN
 (2)SPRAY CAN

Fig.74. CONTROL VALVE(4-RANGE)



(A)=C50R-3B
(B)=
(C)=

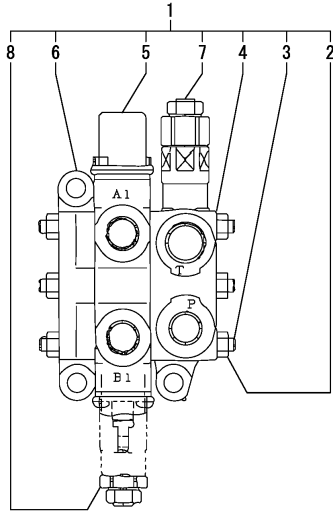
(D)=
(E)=
(F)=

No.	Lev.	Parts No.	Description	Q'ty						I	R
				(A)	(B)	(C)	(D)	(E)	(F)		
1	1	E1901041200	VALVE ASSY,CONTROL(4	1							
2	2	E1901034907	NUT	6							
3	2	E1901041207	ROD, TIE	3							
4	2	E1901041101	BLOCK ASSY(1)	1							1
5	2	E1901041110	BLOCK ASSY(2)	1							2
6	2	E1901041202	BLOCK ASSY(3)	1							3
7	2	E1901041214	BLOCK ASSY(4)	1							4
8	2	E1901041204	HOUSING, OUTLET	1							
9	2	E1901041123	MAIN RELIFE VALVE	1							
10	2	E1901041124	OVERLOAD RELIFE VALV	1							

Remarks

- (1)COMPONENT PARTS:REFER TO FIG.76.
- (2)COMPONENT PARTS:REFER TO FIG.77.
- (3)COMPONENT PARTS:REFER TO FIG.78.
- (4)COMPONENT PARTS:REFER TO FIG.79.

Fig.75. CONTROL VALVE(2-RANGE)



(A)=C50R-3B
(B)=
(C)=

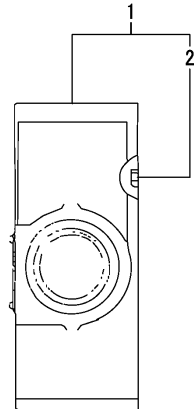
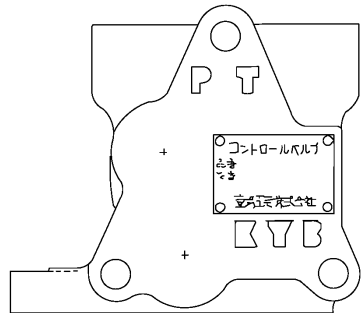
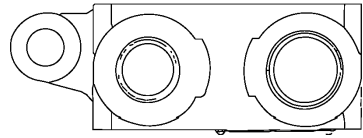
(D)=
(E)=
(F)=

No.	Lev.	Parts No.	Description	Q'ty						I	R
				(A)	(B)	(C)	(D)	(E)	(F)		
1	1	E1901041100	VALVE ASSY,CONTROL(2	1							
2	2	E1901034907	NUT	6							
3	2	E1901041107	ROD, TIE	3							
4	2	E1901041101	BLOCK ASSY(1)	1							1
5	2	E1901041110	BLOCK ASSY(2)	1							2
6	2	E1901033204	HOUSING, OUTLET	1							
7	2	E1901041123	MAIN RELIFE VALVE	1							
8	2	E1901041124	OVERLOAD RELIFE VALV	1							

Remarks

- (1)COMPONENT PARTS:REFER TO FIG.76.
- (2)COMPONENT PARTS:REFER TO FIG.77.

Fig.76. BLOCK(1)



(A)=C50R-3B
(B)=
(C)=

(D)=
(E)=
(F)=

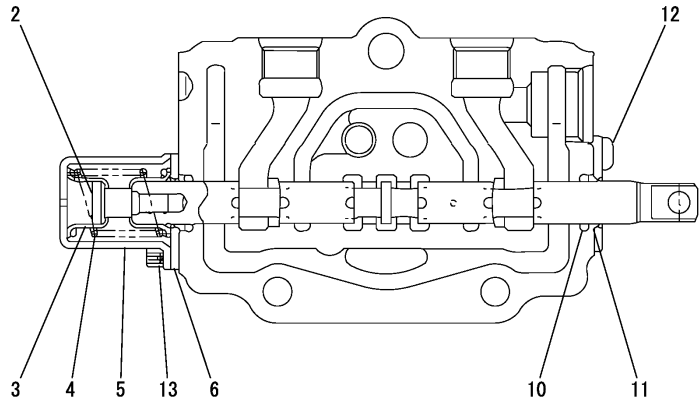
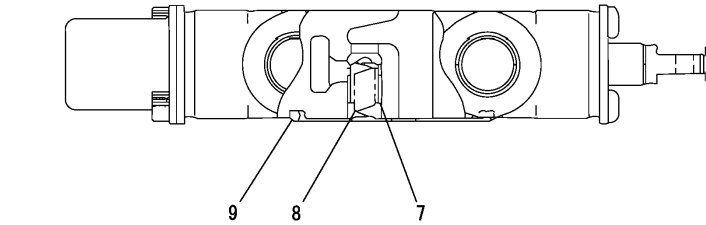
No.	Lev.	Parts No.	Description	Q'ty						I	R
				(A)	(B)	(C)	(D)	(E)	(F)		
1	1	E1901041101	BLOCK ASSY(1)	1							
2	2	E1420100550	O-RING	1							

Fig.77. BLOCK(2)

(A)=C50R-3B
(B)=
(C)=

(D)=
(E)=
(F)=

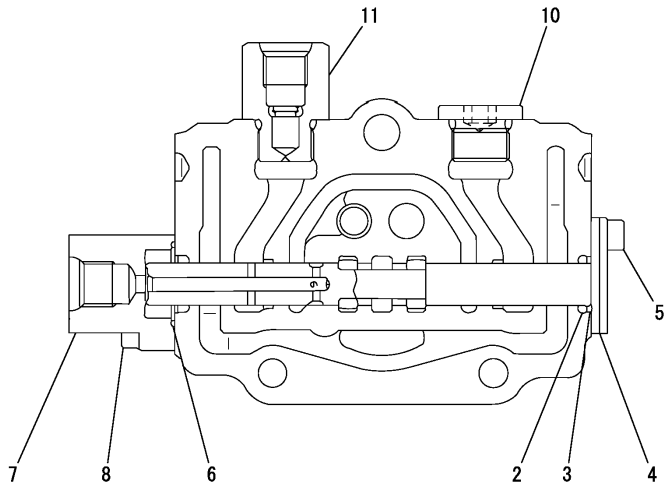
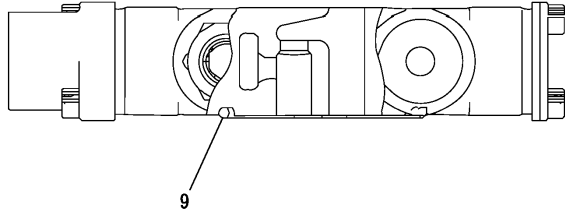
1 inc. 2~13



No.	Lev.	Parts No.	Description	Q'ty						I	R
				(A)	(B)	(C)	(D)	(E)	(F)		
1	1	E1901041110	BLOCK ASSY(2)	1							
2	2	E1901031790	SCREW, CAP	1							
3	2	E1901027792	HOLDER	2							
4	2	E1901041256	SPRING	1							
5	2	E1901027761	CAP	1							
6	2	E1901027772	PLATE	2							
7	2	E1901027768	PLUNGER	1							
8	2	E1901027757	SPRING	1							
9	2	E1420100550	O-RING	1							
10	2	E1420000120	O-RING	2							
11	2	E1901027771	WIPER	2							
12	2	E1120590510	SCREW, M5X10	2							
13	2	E1110020512	SCREW, M5X12	2							

Fig.78. BLOCK(3)

1 inc. 2~11



(A)=C50R-3B
(B)=
(C)=

(D)=
(E)=
(F)=

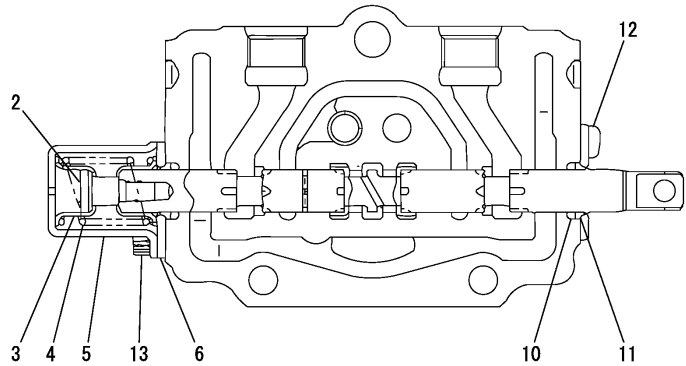
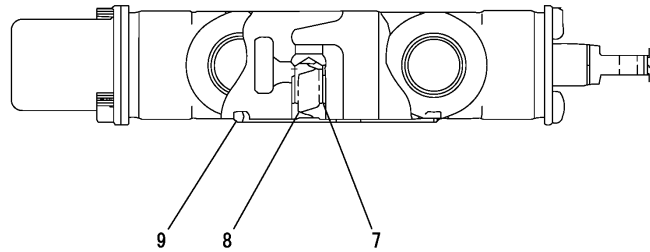
No.	Lev.	Parts No.	Description	Q'ty						I	R
				(A)	(B)	(C)	(D)	(E)	(F)		
1	1	E1901041202	BLOCK ASSY(3)	1							
2	2	E1420000120	O-RING	1							
3	2	E1421030120	RING P12, BACKUP	1							
4	2	E1901038852	PLATE	2							
5	2	E1110020512	SCREW, M5X12	2							
6	2	E1420500220	O-RING, S22-1A	1							
7	2	E1901035667	CAP	1							
8	2	E1110020518	SCREW, M5X18	2							
9	2	E1420100550	O-RING	1							
10	2	E1901036678	PLUG ASSY	1							
11	2	E1901041278	PLUR ASSY	1							

Fig.79. BLOCK(4)

(A)=C50R-3B
(B)=
(C)=

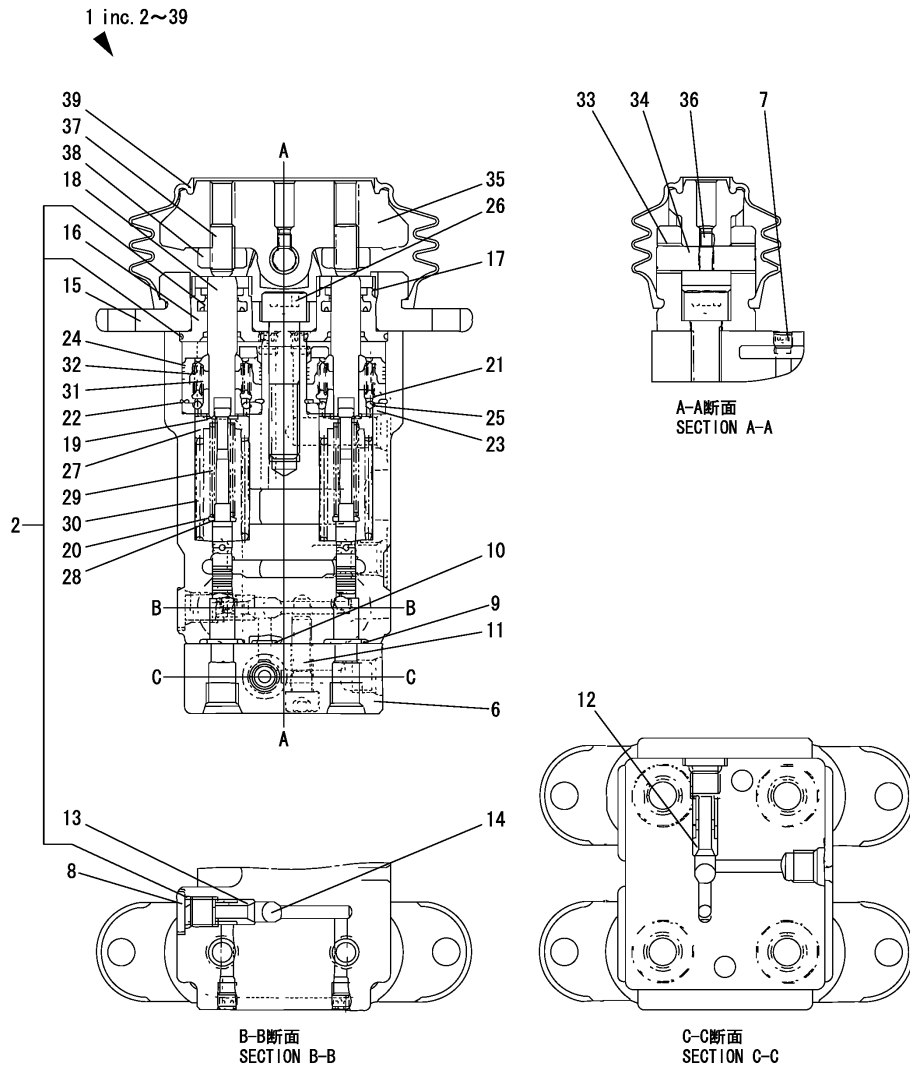
(D)=
(E)=
(F)=

1 inc. 2~13



No.	Lev.	Parts No.	Description	Q'ty						I	R
				(A)	(B)	(C)	(D)	(E)	(F)		
1	1	E1901041214	BLOCK ASSY(4)	1							
2	2	E1901031790	SCREW, CAP	1							
3	2	E1901027792	HOLDER	2							
4	2	E1901027758	SPRING	1							
5	2	E1901027761	CAP	1							
6	2	E1901027772	PLATE	2							
7	2	E1901027768	PLUNGER	1							
8	2	E1901027757	SPRING	1							
9	2	E1420100550	O-RING	1							
10	2	E1420000120	O-RING	2							
11	2	E1901027771	WIPER	2							
12	2	E1120590510	SCREW, M5X10	2							
13	2	E1110020512	SCREW, M5X12	2							

Fig.80. REMOTE CONTROL VALVE



(A)=C50R-3B

(B)=

(C)=

(D)=

(E)=

(F)=

No.	Lev.	Parts No.	Description	Q'ty						I	R
				(A)	(B)	(C)	(D)	(E)	(F)		
1	1	E1901738800	REMO-CON VALVE ASSY	1							
2	2	E1901733599	SEAL SET	1							
6	2	E1901733502	PLATE	1							
7	2	E1901738851	PLUG	6							
8	2	E1901733504	PLUG	3							
9	2	E1420010140	O-RING	4							
10	2	E1420010070	O-RING, 1B. P7	2							
11	2	E1110020830	SCREW, M8X30	2							
12	2	E1901733509	SEAT	1							
13	2	E1901733510	SEAT	2							
14	2	E1390020500	STEEL BALL	3							
15	2	E1901733512	COVER	2							
16	2	E1901733513	PLUG	4							
17	2	E1901733514	CUP, GREASE	4							
18	2	E1901733517	ROD	4							
19	2	E1901710915	WASHER 1	8							
20	2	E1901710917	WASHER 2	4							
21	2	E1901733520	SEAT, SPRING	4							
22	2	E1901733521	RING	4							
23	2	E1901733522	BUSHING	4							
24	2	E1901738824	PISTON	4							
25	2	E1390020030	STEEL BALL	12							
26	2	E1110021255	SCREW, M12X55	2							
27	2	E1901738811	SEAT, SPRING	4							
28	2	E1901725211	WASHER	4							
29	2	E1901738832	SPRING	4							
30	2	E1901738835	SPRING	4							
31	2	E1901733531	SPRING	4							
32	2	E1901733532	SPRING	4							
33	2	E1333001010	BUSH	4							
34	2	E1901725215	CAMSHAFT	2							
35	2	E1901725216	CAM	2							
36	2	E1121050606	SCREW, M6	2							
37	2	E1901725218	SCREW	4							
38	2	E1901738872	NUT, LOCK	4							
39	2	E1901725520	BELLOWS	2							

Fig.81. AUTO TENSION VALVE

(A)=C50R-3B

(B)=

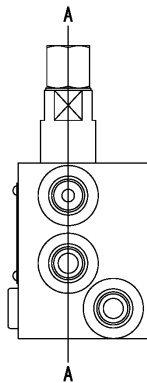
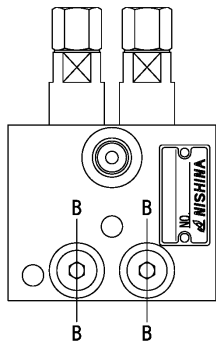
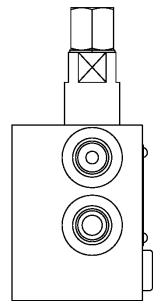
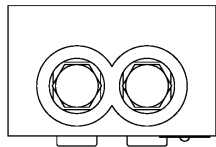
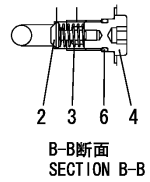
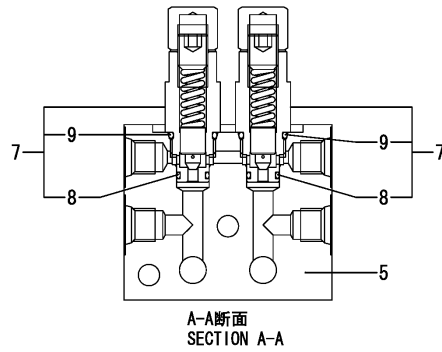
(C)=

(D)=

(E)=

(F)=

1 inc. 2~9



No.	Lev.	Parts No.	Description	Q'ty						I	R
				(A)	(B)	(C)	(D)	(E)	(F)		
1	1	E1901739400	VALVE ASSY	1							
2	2	E1901035426	PLUNGER	2							
3	2	E1901004357	SPRING	2							
4	2	E1901035471	PLUG	2							
5	2	E1901739410	BODY	1							
6	2	E1420010100	O-RING	2							
7	2	E1901739498	RELIFE VALVE ASSY	2							
8	3	E1420010100	O-RING	1							
9	3	E1420010160	O-RING	1							

Fig.82. SOLENOID VALVE(1-RANGE)

(A)=C50R-3B
(B)=
(C)=

(D)=
(E)=
(F)=

No.	Lev.	Parts No.	Description	Q'ty						I	R
				(A)	(B)	(C)	(D)	(E)	(F)		
1	1	E1901739600	VALVE ASSY, SOLENOID	1							
2	2	E1901734404	SPRING	1							
3	2	E1901738907	SOLENOID	1							
4	2	E1901738312	PLUG	1							
5	2	E1110040512	SCREW, CAP	2							
6	2	E1420000160	O-RING, P16-1A	1							
7	2	E1420010110	O-RING	1							
8	2	E1901738919	TUBE	1							

1 inc. 2~8
▲

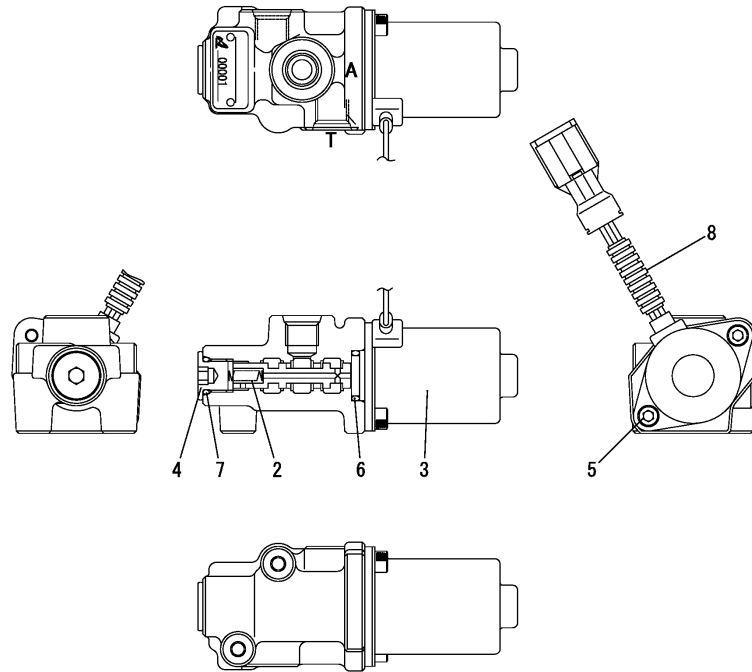
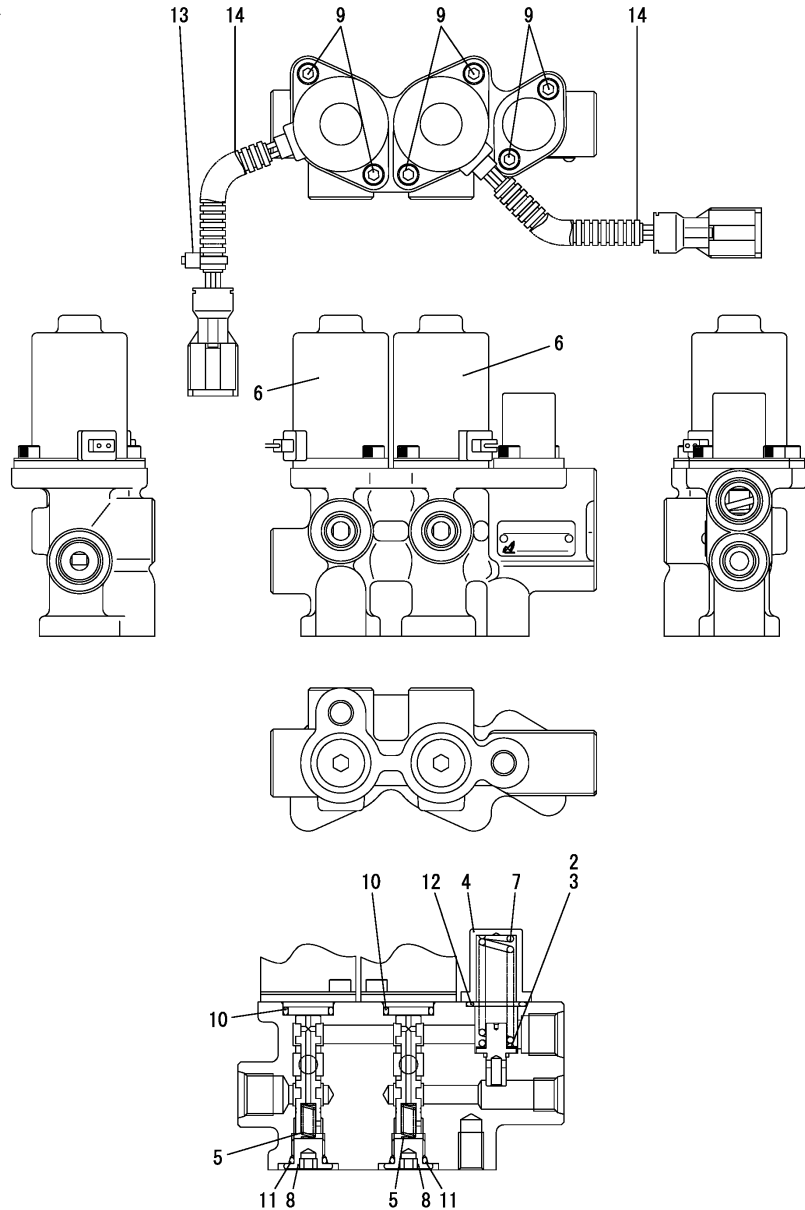


Fig.83. SOLENOID VALVE(2-RANGE)

1 inc. 2~14



(A)=C50R-3B
(B)=
(C)=

(D)=
(E)=
(F)=

No.	Lev.	Parts No.	Description	Q'ty						I	R
				(A)	(B)	(C)	(D)	(E)	(F)		
1	1	E1901738900	SOLENOID VALVE	1							
2	2	E1901729601	SHIM, T=0.5	1							
3	2	E1901728701	SHIM, T=0.2	1							
4	2	E1901738303	COVER	1							
5	2	E1901734404	SPRING	2							
6	2	E1901738907	SOLENOID	2							
7	2	E1901738910	SPRING	1							
8	2	E1901738312	PLUG	2							
9	2	E1110040512	SCREW, CAP	6							
10	2	E1420000160	O-RING, P16-1A	2							
11	2	E1420010110	O-RING	2							
12	2	E1420010200	O-RING	1							
13	2	E1901738918	CABLE	1							
14	2	E1901738919	TUBE	2							

Fig.84. DEPRESSION VALVE

(A)=C50R-3B
(B)=
(C)=

(D)=
(E)=
(F)=

No.	Lev.	Parts No.	Description	Q'ty						I	R
				(A)	(B)	(C)	(D)	(E)	(F)		
1	1	E1901740300	VALVE	1							
2	2	E1901740301	SPOOL	1							
3	2	E1901740302	PLUG	1							
4	2	E1901740303	COVER	1							
5	2	E1901740304	BODY	1							
6	2	E1901740306	SPRING	1							
7	2	E1100040825	BOLT M 8X25	1							
8	2	E1130040008	NUT, M8	1							
9	2	E1420000070	O-RING	1							
10	2	E1420010140	O-RING	1							
11	2	E1501810002	PLUG PT 1/4	1							

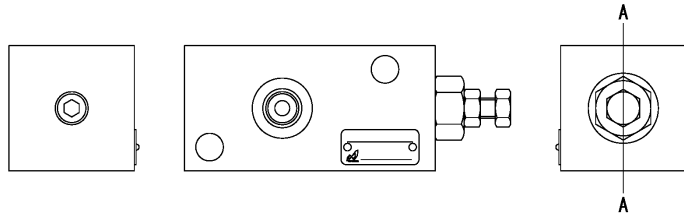
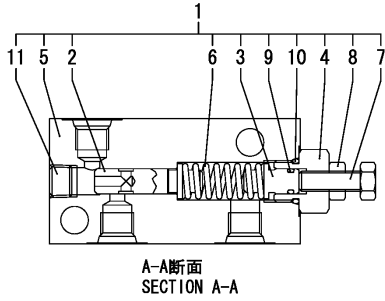
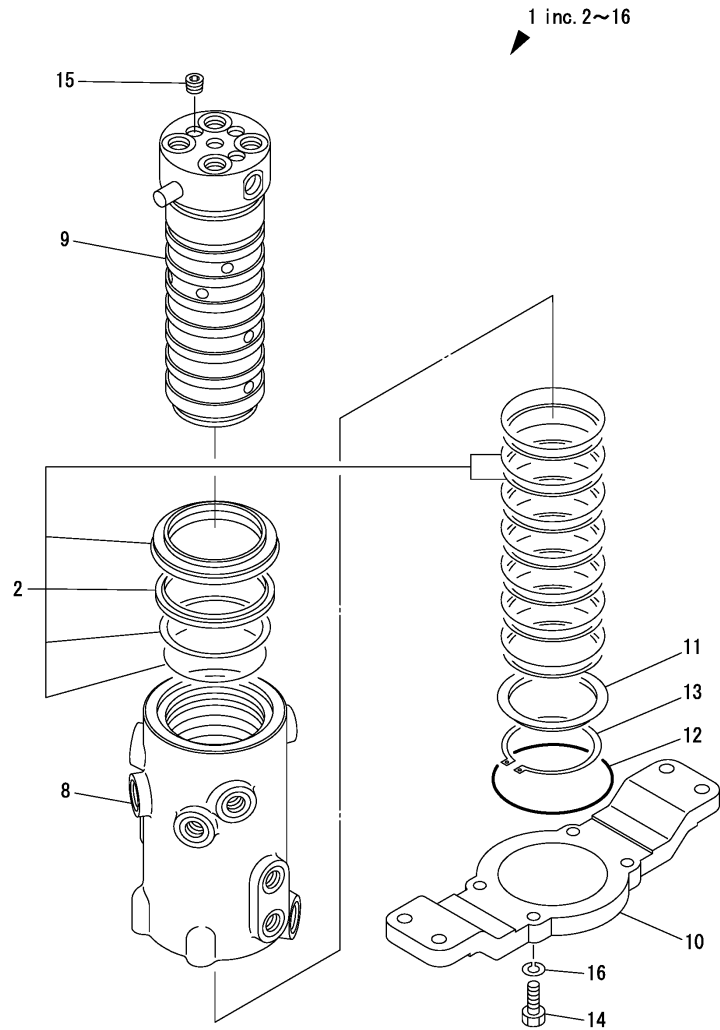


Fig.86. SWIVEL JOINT



(A)=C50R-3B

(B)=

(C)=

(D)=

(E)=

(F)=

No.	Lev.	Parts No.	Description	Q'ty						I	R
				(A)	(B)	(C)	(D)	(E)	(F)		
1	1	E1904005900	JOINT ASSY, SWIVEL	1							
2	2	E1904006399	SEAL SET	1							
8	2	E1904005901	HUB	1							
9	2	E1904005911	SHAFT	1							
10	2	E1904003621	FLANGE	1							
11	2	E1904003691	SPACER	1							
12	2	E1420110950	O-RING	1							
13	2	E1221000072	CIRCLIP	1							
14	2	E1100041030	BOLT M10X30	4							
15	2	E1501810002	PLUG PT 1/4	3							
16	2	E1140010010	SPRING WASHER	4							

Fig.87. DUMP CYLINDER

(A)=C50R-3B

(B)=

(C)=

(D)=

(E)=

(F)=

Q'ty

No.	Lev.	Parts No.	Description	Q'ty						I	R
				(A)	(B)	(C)	(D)	(E)	(F)		
1	1	E1900084300	CYLINDER ASSY, DUMP	1							
2	2	E1900084399	SEAL SET	1							
9	2	E1900084398	TUBE ASSY	1							
10	3	E1900084320	BUSH	1							
11	3	E1900084340	SEAL, DUST	2							
12	2	E1900084397	ROD ASSY	1							
13	3	E1900084320	BUSH	1							
14	3	E1900084340	SEAL, DUST	2							
15	2	E1900084303	CYLINDER HEAD	1							
16	2	E1900084305	ROD BUSH	1							
17	2	E1900084329	RING	1							
18	2	E1900084328	WASHER	1							
19	2	E1900084306	PISTON	1							
20	2	E1900084326	RING	1							
21	2	E1900084309	NUT	1							

1 inc. 2~21

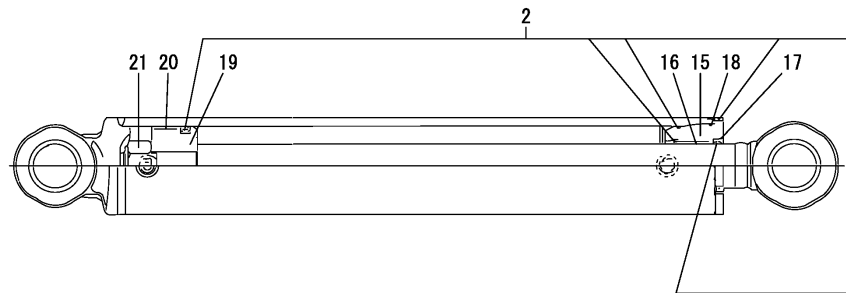
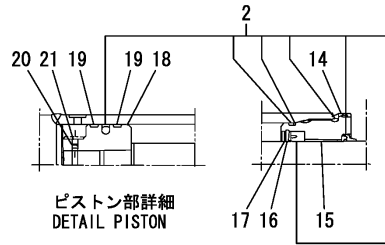


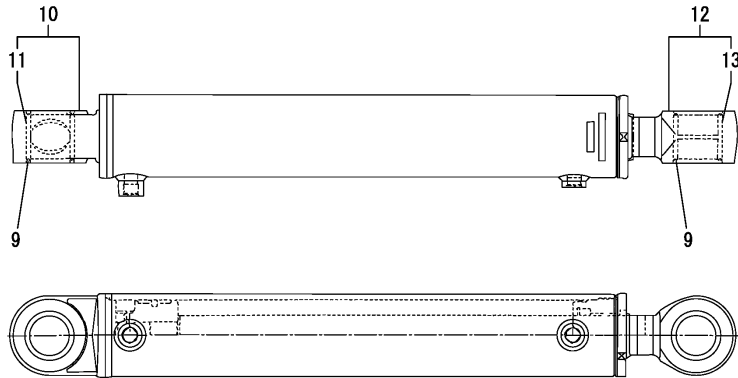
Fig.88. DUMP CYLINDER(TURNING)

1 inc. 2~21



ピストン部詳細
DETAIL PISTON

シリンダヘッド部詳細
DETAIL CYL. HEAD



(A)=C50R-3B
(B)=
(C)=

(D)=
(E)=
(F)=

No.	Lev.	Parts No.	Description	Q'ty						I	R
				(A)	(B)	(C)	(D)	(E)	(F)		
1	1	E1900082900	CYLINDER, DUMP	1							
2	2	E1900082999	SEAL SET	1							
9	2	E1432200045	SEAL, DUST	4							
10	2	E1900082998	TUBE ASSY	1							
11	3	E1900018502	BUSH	1							
12	2	E1900082997	ROD ASSY	1							
13	3	E1900018520	BUSH	1							
14	2	E1900054903	COVER, ROD	1							
15	2	E1333004530	DU-BUSH MB4530DU	1							
16	2	E1900013508	HOLDER	1							
17	2	E1221000060	CIRCLIP	1							
18	2	E1900054106	PISTON	1							
19	2	E1900047232	RING	2							
20	2	E1390020250	BALL 5/32	1							
21	2	E1121050608	SCREW	1							

Fig.89. TRUCK SHOE CYLINDER

(A)=C50R-3B

(B)=

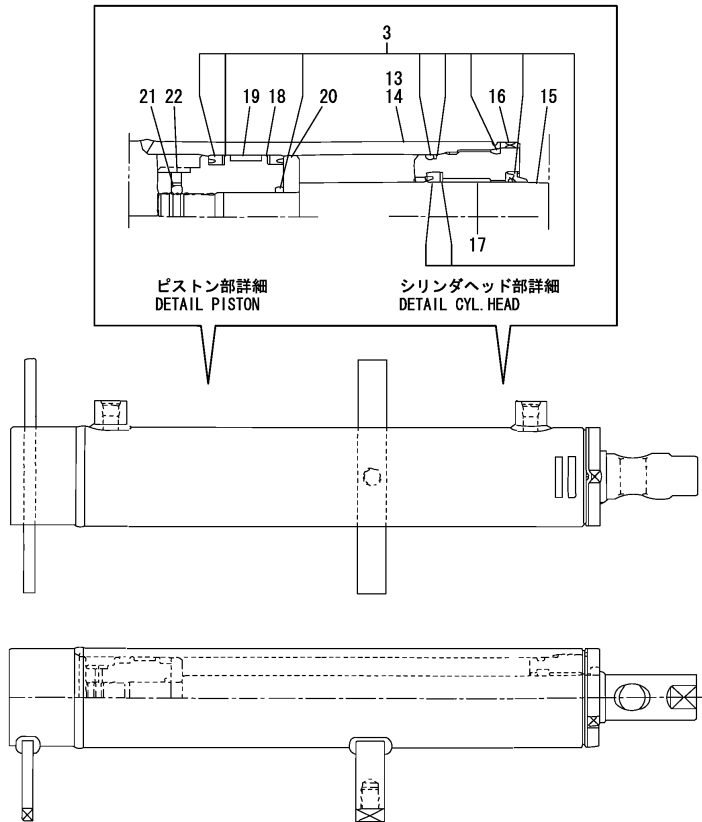
(C)=

(D)=

(E)=

(F)=

1, 2 inc. 3~22



No.	Lev.	Parts No.	Description	Q'ty						I	R
				(A)	(B)	(C)	(D)	(E)	(F)		
1	1	E1900085900	CYLINDER ASSY	1							1
2	1	E1900086000	CYLINDER ASSY	1							2
3	2	E1900085999	SEAL SET	1							
13	2	E1900085907	TUBE	1							
14	2	E1900086007	TUBE	1							
15	2	E1900085901	ROD, PISTON	1							
16	2	E1900051803	COVER, ROD	1							
17	2	E1333003525	BUSH	1							
18	2	E1900085906	PISTON	1							
19	2	E1410706316	WEARING SW-63.57.16	1							
20	2	E1900085955	HOLDER	1							
21	2	E1390020250	BALL 5/32	1							
22	2	E1121050607	SCREW	1							

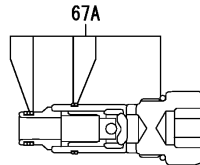
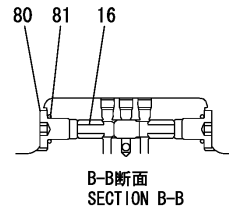
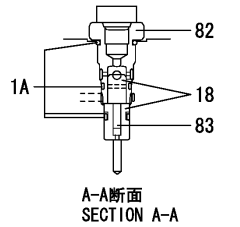
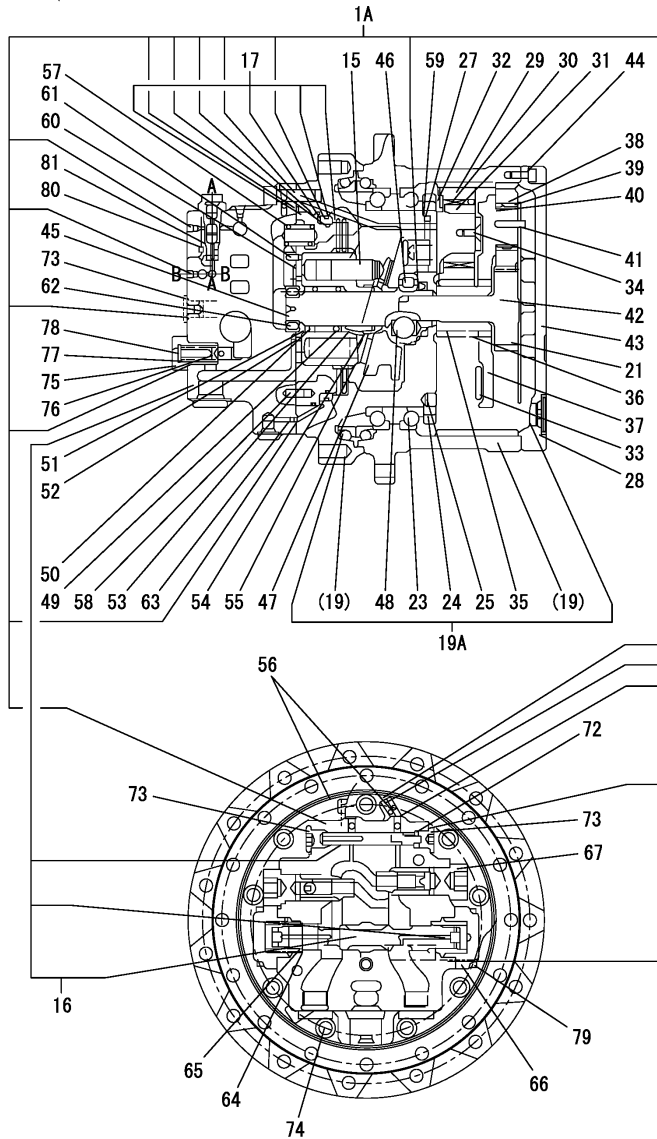
Remarks

- (1)FOR LEFT.
- (2)FOR RIGHT.

Fig.90. TRAVEL MOTOR

1 inc. 1A~83

19 inc. (19)~44



(A)=C50R-3B

(B)=

(C)=

(D)=

(E)=

(F)=

No.	Lev.	Parts No.	Description	Q'ty						I	R
				(A)	(B)	(C)	(D)	(E)	(F)		
1	1	E1903123300	TRAVEL MOTOR	1							
1A	2	E1903123399	SEAL SET	1							
15	2	E1903123398	CYLINDER BLOCK KIT	1							
16	2	E1903123397	BASE PLATE KIT	1							
17	2	E1903123396	BRAKE KIT	1							
18	2	E1903123395	PLUG ASSY	1							
19	2	E1912906800	GEAR, REDUCTION	1							
19A	3	E1912906899	SEAL SET	1							
21	3	E1912906898	PLATE KIT	1							
23	3	E1912906803	BEARING	2							
24	3	E1912906804	NUT, RING	1							
25	3	E1912906003	PLUG	4							
27	3	E1901804213	PLUG	4							
28	3	E1912906808	PLUG	3							
29	3	E1912906809	GEAR, PLANETARY	4							
30	3	E1912906810	BEARING	4							
31	3	E1912906811	BUSH	4							
32	3	E1912906812	WASHER	4							
33	3	E1912906813	PLATE	1							
34	3	E1912906814	SCREW	4							
35	3	E1912906815	GEAR, SUN	1							
36	3	E1912906816	SNAP RING	1							
37	3	E1912906817	HOLDER	1							
38	3	E1912906818	GEAR, PLANETARY	3							
39	3	E1912906819	BEARING	3							
40	3	E1912906820	LATHE	3							
41	3	E1912906821	SPRING PIN	3							
42	3	E1912906822	GEAR, DRIVE	1							
43	3	E1912906823	COVER	1							
44	3	E1110020825	SCREW, M8X25	16							
45	2	E1903123302	SHAFT	1							
46	2	E1903123303	BEARING	1							
47	2	E1903123305	PLATE	1							
48	2	E1903123306	BOLL	2							
49	2	E1903123308	COLLAR	1							
50	2	E1903123309	SPRING	1							
51	2	E1903123310	COLLAR	1							
52	2	E1903123311	SNAP RING	1							
53	2	E1903123312	PIN	3							
54	2	E1903123313	HOLDER	1							
55	2	E1903123314	PLATE	1							
56	2	E1903106847	ORIFICE	4							
57	2	E1903123322	SPRING	8							
58	2	E1903123323	PIN	4							
59	2	E1903123325	SPRING	2							
60	2	E1903123326	VALVE PLATE	1							
61	2	E1901802417	PIN	1							
62	2	E1903123328	BEARING	1							
63	2	E1903123329	ORIFICE	2							
64	2	E1903123334	SEAT, SPRING	2							
65	2	E1903123335	SPRING	2							

Fig.90. TRAVEL MOTOR

(A)=C50R-3B

(B)=

(C)=

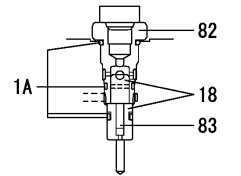
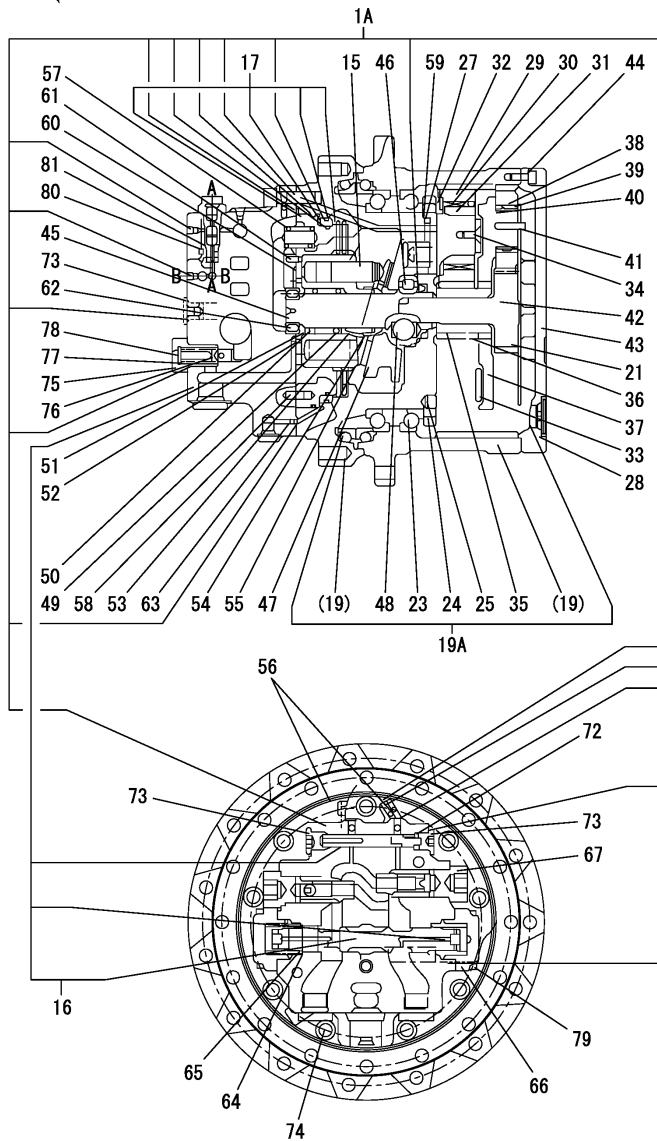
(D)=

(E)=

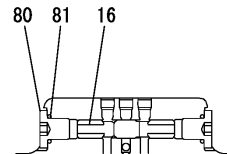
(F)=

1 inc. 1A~83

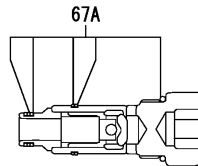
19 inc. (19)~44



A-A断面
SECTION A-A



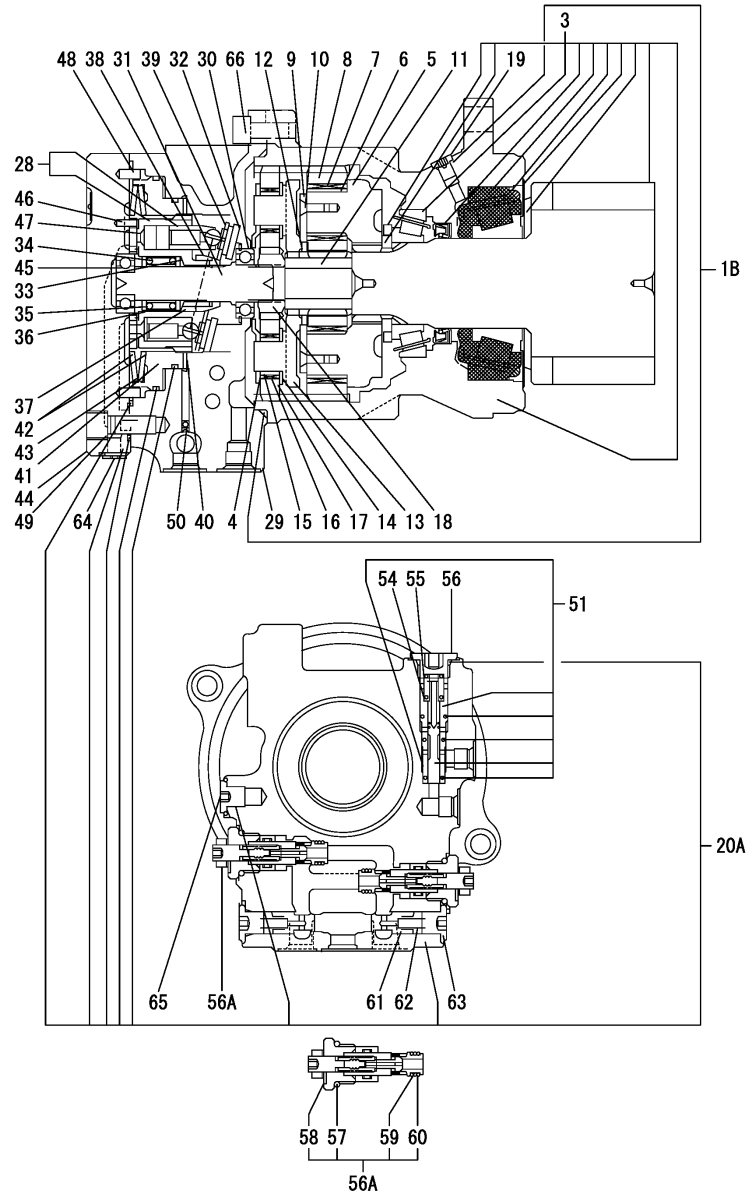
B-B断面
SECTION B-B



No.	Lev.	Parts No.	Description	Q'ty						I	R
				(A)	(B)	(C)	(D)	(E)	(F)		
66	2	E1903123337	FLANGE	2							
67	2	E1901810100	VALVE ASSY	2							
67A	3	E1901810199	SEAL SET	2							
72	2	E1903123340	SPRING	1							
73	2	E1903904537	PLUG	4							
74	2	E1110041440	SCREW, CAP	9							
75	2	E1903123355	PLUG	1							
76	2	E1903123357	POPPET	1							
77	2	E1903123358	SPRING	1							
78	2	E1903123359	SEAT, SPRING	1							
79	2	E1110041030	BOLT, SOCKET	8							
80	2	E1903108655	PLUG	4							
81	2	E1420010110	O-RING	4							
82	2	E1903123367	PLUG	1							
83	2	E1212000414	PIN	1							

Fig.91. TURNING MOTOR

1 inc. 1B~66



(A)=C50R-3B

(B)=

(C)=

(D)=

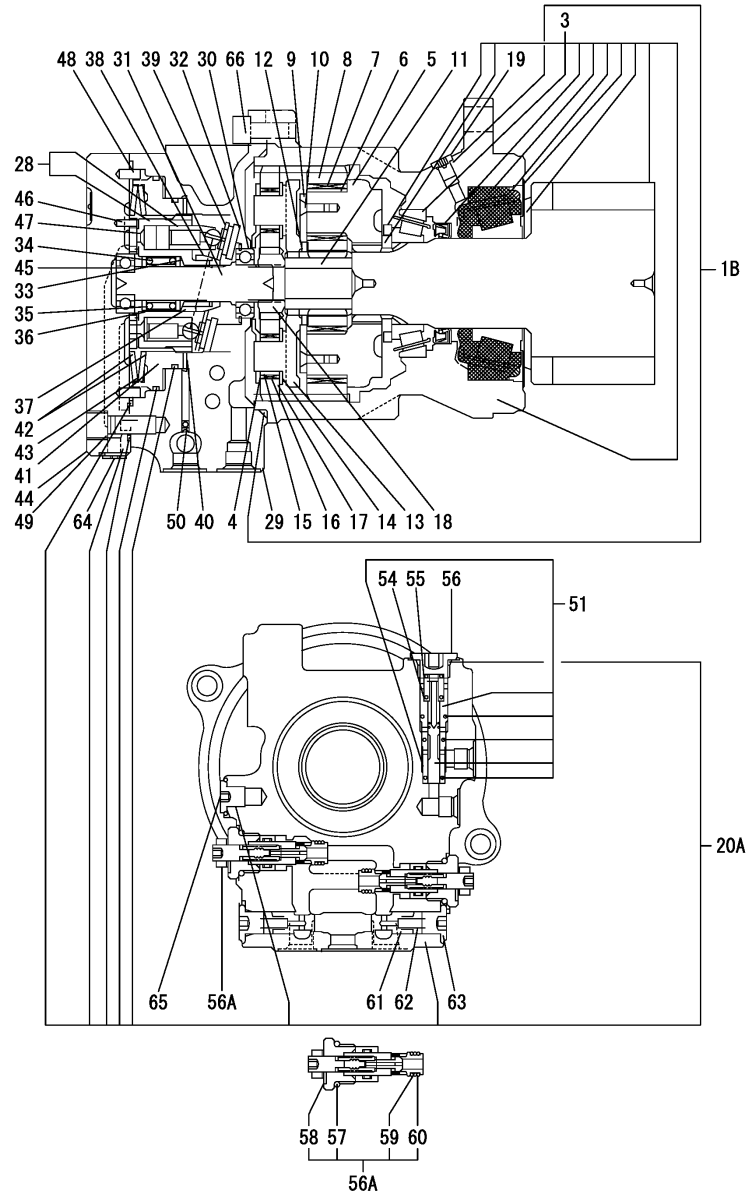
(E)=

(F)=

No.	Lev.	Parts No.	Description	Q'ty						I	R
				(A)	(B)	(C)	(D)	(E)	(F)		
1	1	E1903123500	TURNING MOTOR ASSY	1							
1B	3	E1912907099	SEAL SET	1							
3	3	E1912907098	HOUSING ASSY	1							
4	3	E1912907097	PLATE	1							
5	3	E1912907011	HOLDER	1							
6	3	E1912905415	INNER RACE	4							
7	3	E1912905416	BEARING	4							
8	3	E1912904517	GEAR	4							
9	3	E1912907015	PLATE	1							
10	3	E1912900714	SCREW	4							
11	3	E1912906009	GEAR, SUN	1							
12	3	E1220000042	CIRCLIP	1							
13	3	E1912907019	HOLDER	1							
14	3	E1912907020	WASHER	3							
15	3	E1912900720	LATHE	3							
16	3	E1912905422	GAUGE, W/ROLLER	3							
17	3	E1912907023	GEAR, PLANETARY	3							
18	3	E1912907025	GEAR, DRIVE	1							
19	3	E1912905325	PLUG	1							
20A	3	E1903906199	SEAL SET	1							
28	3	E1903120698	CYLINDER BLOCK KIT	1							
29	3	E1903906101	CASE	1							
30	3	E1903904502	BEARING	1							
31	3	E1903904503	SHAFT	1							
32	3	E1903904504	PLATE	1							
33	3	E1903106808	COLLAR	1							
34	3	E1903904507	SPRING	1							
35	3	E1903904508	WASHER	1							
36	3	E1221000037	SNAP RING	1							
37	3	E1903904510	PIN	3							
38	3	E1903106813	HOLDER	1							
39	3	E1903904511	PLATE	1							
40	3	E1903904514	DISK	1							
41	3	E1903904515	PISTON	1							
42	3	E1903904518	SEAT, SPRING	2							
43	3	E1903904519	SPRING, DISK	1							
44	3	E1903904921	COVER	1							
45	3	E1903107927	BEARING	1							
46	3	E1212000412	PIN	1							
47	3	E1903904524	VALVE PLATE	1							
48	3	E1903904525	PIN	2							
49	3	E1110051230	BOLT M12X 30	5							
50	3	E1901802713	ORIFICE	1							
51	3	E1901809200	VALVE ASSY	1							
54	3	E1141190006	WASHER 6	1							
55	3	E1903906135	SPRING	1							
56	3	E1903904537	PLUG	1							
56A	3	E1901800053	VALVE ASSY, RELIEF	2							
57	4	E1420010240	O-RING, P24	1							
58	4	E1420010100	O-RING	1							
59	4	E1420010120	O-RING	1							

Fig.91. TURNING MOTOR

1 inc. 1B~66



(A)=C50R-3B
(B)=
(C)=

(D)=
(E)=
(F)=

No.	Lev.	Parts No.	Description	Q'ty						I	R
				(A)	(B)	(C)	(D)	(E)	(F)		
60	4	E1421020120	BUCKUP RING	2							
61	3	E1903904539	CHECK VALVE	2							
62	3	E1903904540	SPRING	2							
63	3	E1903106843	PLUG	2							
64	3	E1912905325	PLUG	2							
65	3	E1903108655	PLUG	1							
66	2	E1110051230	BOLT M12X 30	2							

Fig.92. HYD. OIL PUMP

(A)=C50R-3B

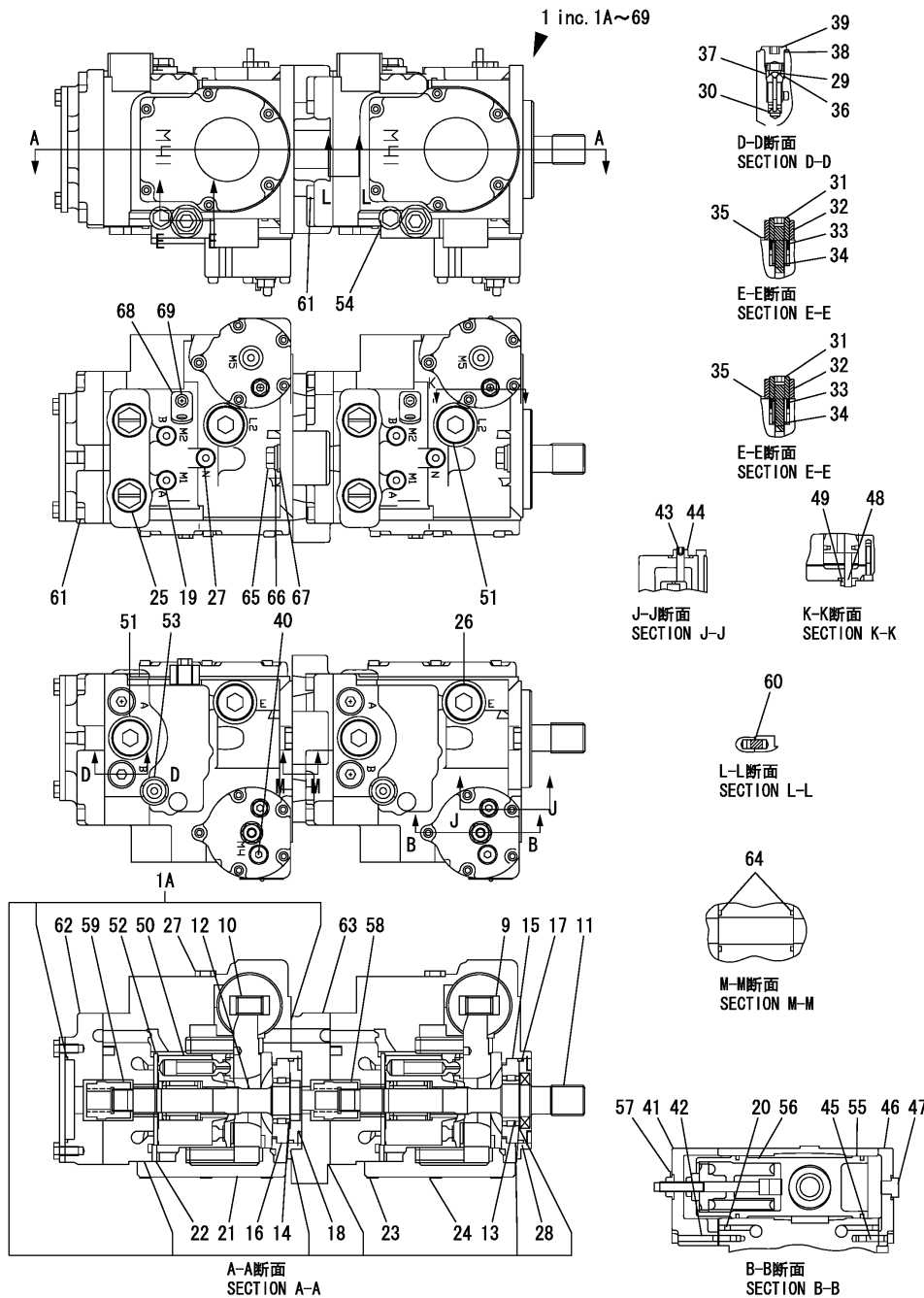
(B)=

(C)=

(D)=

(E)=

(F)=



No.	Lev.	Parts No.	Description	(A)	(B)	(C)	Q'ty	(D)	(E)	(F)	I	R
1	1	E1902020400	HST PUMP	1								
1A	2	E1902020498	SEAL SET	1								
9	2	E1902018801	BEARING ASSY	2								
10	2	E1902018802	PLATE	2								
11	2	E1902018803	SHAFT	1								
12	2	E1902018804	SHAFT	1								
13	2	E1902017704	RING, RETAINING	1								
14	2	E1902016505	RING, RETAINING	1								
15	2	E1902018805	BEARING	1								
16	2	E1902016506	BEARING	1								
17	2	E1902018806	SEAL, CARRIER	1								
18	2	E1902017409	SEAL, CARRIER	1								
19	2	E1902019215	PLUG ASSY	4								
20	2	E1902018807	ORIFICE	4								
21	2	E1902019106	COVER ASSY	2								
22	2	E1902018809	PIN	2								
23	2	E1110050620	BOLT M 6X 20	4								
24	2	E1110050630	BOLT M 6X 30	8								
25	2	E1902020390	PLUG ASSY	4								
26	2	E1902017724	PLUG ASSY	4								
27	2	E1902019215	PLUG ASSY	4								
28	2	E1902016520	RING, RETAINING	2								
29	2	E1902019229	VALVE	4								
30	2	E1902020736	SPRING	4								
31	2	E1902019107	PLUG	1								
32	2	E1902016552	NUT	1								
33	2	E1902019108	SPRING	1								
34	2	E1902019109	POPPET	1								
35	2	E1420310910	O-RING	1								
36	2	E1902018814	O-RING	4								
37	2	E1902018815	BUCKUP RING	4								
38	2	E1420310910	O-RING	4								
39	2	E1902018817	PLUG	4								
40	2	E1902019215	PLUG ASSY	2								
41	2	E1902018818	COVER	2								
42	2	E1110050660	SCREW, M6X60	10								
43	2	E1902017425	SCREW	2								
44	2	E1902017719	NUT	2								
45	2	E1100050630	BOLT M 6X30	10								
46	2	E1902018820	COVER	2								
47	2	E1902019215	PLUG ASSY	2								
48	2	E1902017425	SCREW	2								
49	2	E1902017719	NUT	2								
50	2	E1902019250	CYLINDER BLOCK KIT	2								
51	2	E1902017724	PLUG ASSY	2								
52	2	E1902018823	PLATE	2								
53	2	E1902019251	PLUG ASSY	1								
54	2	E1902019215	PLUG ASSY	1								
55	2	E1902017727	BUCKUP RING	2								
56	2	E1902018824	PISTON ASSY	2								
57	2	E1902018825	NUT	2								

Fig.92. HYD. OIL PUMP

(A)=C50R-3B

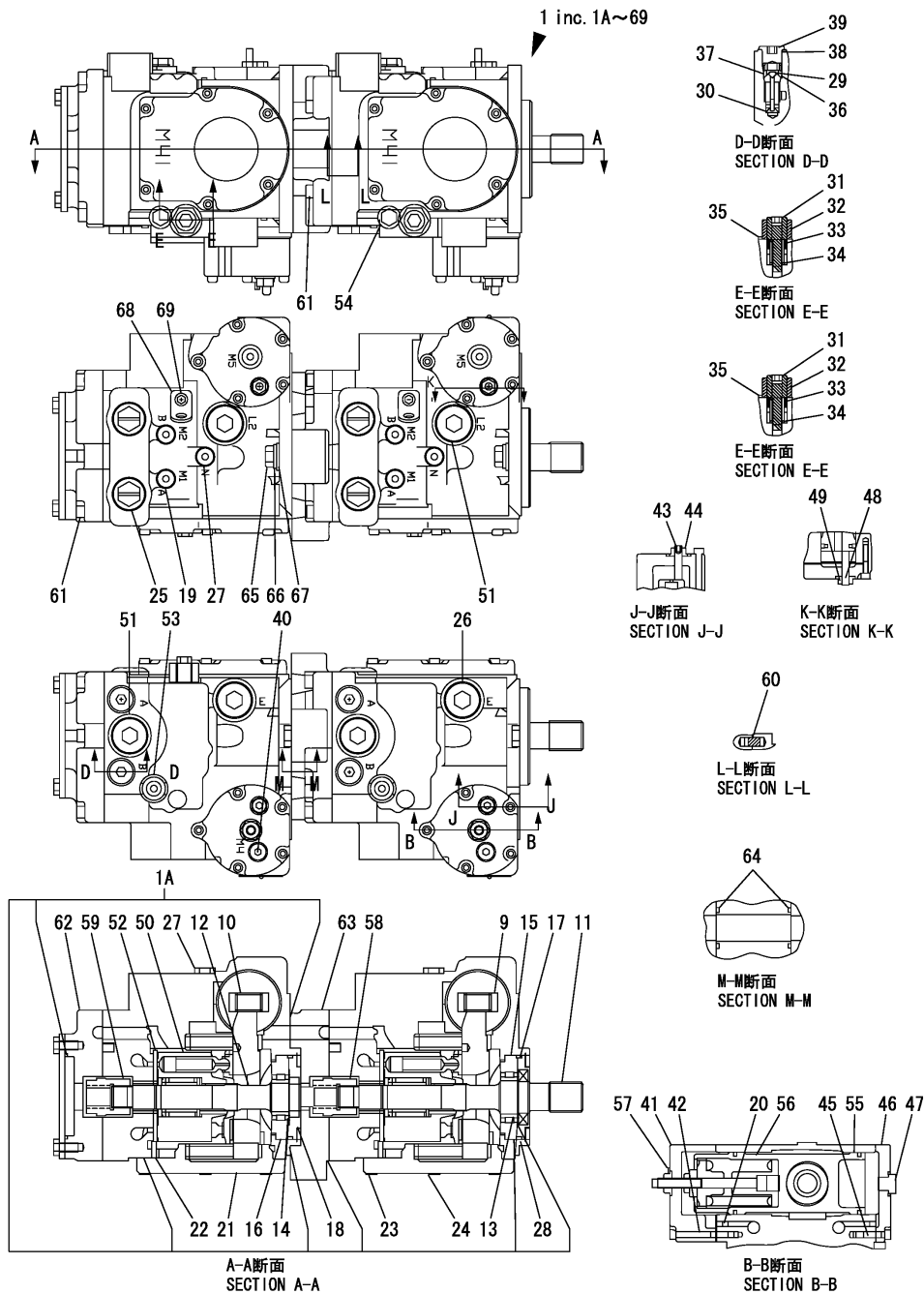
(B)=

(C)=

(D)=

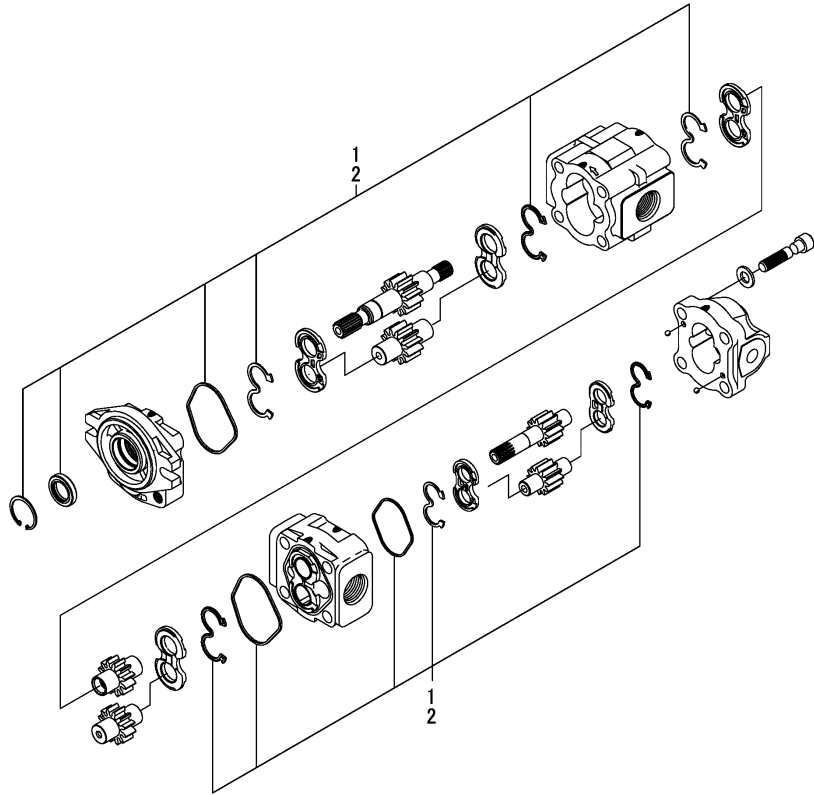
(E)=

(F)=



No.	Lev.	Parts No.	Description	Q'ty						I	R
				(A)	(B)	(C)	(D)	(E)	(F)		
58	2	E1902017730	COUPLING	1							
59	2	E1902017731	COUPLING	1							
60	2	E1902006702	PIN	4							
61	2	E1902020358	SCREW, CAP	15							
62	2	E1902017449	ADAPTER	1							
63	2	E1902019271	ADAPTER	1							
64	2	E1902016564	O-RING	2							
65	2	E1902010035	SCREW	2							
66	2	E1902016567	SPRING WASHER	2							
67	2	E1902010037	WASHER	2							
68	2	E1902020297	BRACKET	2							
69	2	E1902020298	BOLT	2							

Fig.93. GEAR PUMP

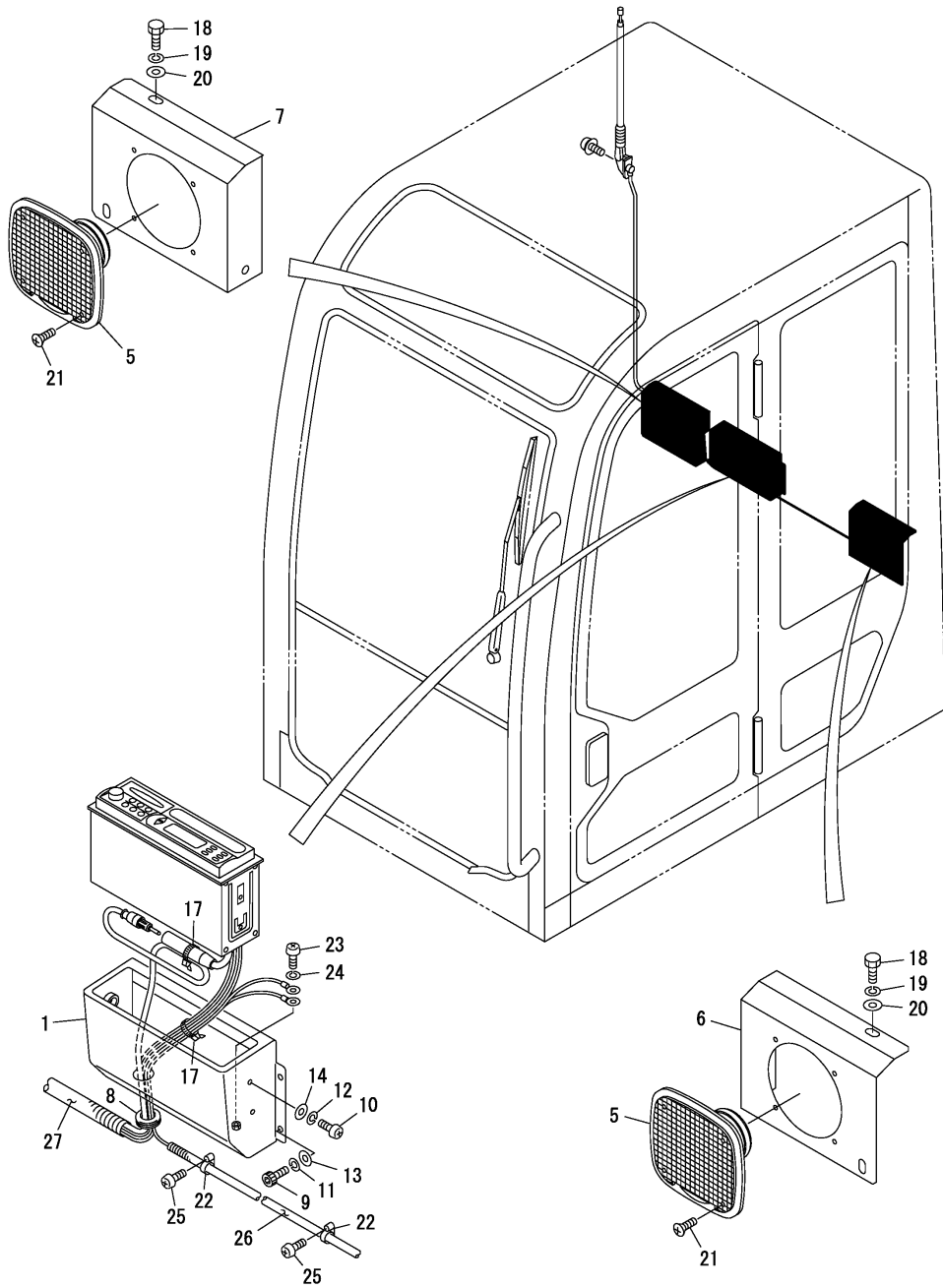


(A)=C50R-3B
(B)=
(C)=

(D)=
(E)=
(F)=

No.	Lev.	Parts No.	Description	Q'ty						I	R
				(A)	(B)	(C)	(D)	(E)	(F)		
1	1	E1902019700	GEAR PUMP	1							
2	2	E1902019799	SEAL SET	1							

Fig.94. RADIO



(A)=C50R-3B

(B)=

(C)=

(D)=

(E)=

(F)=

No.	Lev.	Parts No.	Description	Q'ty						I	R
				(A)	(B)	(C)	(D)	(E)	(F)		
1	1	E0872472210	CASE, RADIO	1							
5	1	E1705002150	SPEAKER	2							
6	1	E0871470410	COVER	1							
7	1	E0871470420	COVER	1							
8	1	E1652041515	GROMMET	1							
9	1	E1110020616	BOLT M 6X 16	4							
10	1	E1120590516	SCREW	4							
11	1	E1140090006	SPRING WASHER 6	4							
12	1	E1140090005	WASHER, SPRING M 5	4							
13	1	E1141190006	WASHER 6	4							
14	1	E1141190005	WASHER, PLAIN M 5	4							
17	1	E1652201003	TIE-LAP	2							
18	1	E1100090820	BOLT M 8X 20	6							
19	1	E1140090008	SPRING WASHER M 8	6							
20	1	E1141190008	WASHER M 8	6							
21	1	E1120730420	SCREW	8							
22	1	E1652221050	CLAMP	2							
23	1	E1120530406	SCREW, M4X6	1							
24	1	E1140020004	WASHER, SPRING M 4	1							
25	1	E1120590512	SCREW, M5X12	2							
26	1	E1703210760	TUBE, CORRUGATED	1							
27	1	E1703211015	TUBE, CORRUGATED	1							

Parts No. Index

Parts No.	Fig. No.	Ref. No.
119129-77920	19	9
119255-44660	18	91
119802-55700	40	21
119840-59601	40	25
121470-44900	17	77
123911-12040	16	67
123911-13510	16	71
123911-13550	16	72
123911-13650	16	73
123911-13660	16	74
123911-13670	16	75
123944-12500	16	66
123944-44500	18	58
124550-77030	22	11
124612-77920	22	13
129150-49100	17	94
129400-13201	16	76
129535-52150	40	47 A
129612-77910	22	45
129612-77920	22	44
129900-77100	22	35
129953-52100	40	47
148616-44510	17	64
148616-44551	17	65
23000-054000	17	97
23000-060000	17	61
23000-080162	16	70
23000-102000	16	68
23000-115000	16	69
933110-00200	19	10
933110-00300	19	10 A
	53	15 A
977620-30871	72	4
	73	4
977620-30872	72	4 -1
	73	4 -1
977620-30N41	72	6
	73	6
977620-40500	72	9
	73	9
977620-40720	72	7
	73	7
977620-40830	72	5
	73	5
977620-40870	72	3
	73	3
977620-40871	72	3 -1
	73	3 -1
E0001504010	65	11
E0001794014	65	6

Parts No.	Fig. No.	Ref. No.
E0002400052	1	1
	11	2
E0002400053	5	9 A
E0003600020	18	50
	41	52
	42	64
	65	24
E0003600025	15	13
	42	44
E0003600033	66	18
E0003600036	5	18
E0003600057	65	13
E0003600128	40	20
E0003600130	40	40
E0003600131	40	40 A
E0003600132	40	40 B
E0003600142	64	30
	66	37
E0003600143	64	31
	66	38
E0003600166	65	12
E0003600173	18	51
E0003608003	30	58
	31	62
E0003608252	15	33
	20	23
E0003612004	1	42
	2	1
E0003900039	37	26
E0004006017	15	14
		14 A
E0004008015	13	17
E0004015001	67	6
E0004015002	67	7
E0005500009	15	15
		15 A
E0005515050	67	8
E0007000016	45	6
E0007000092	67	13
E0007000096	51	24
E0007000110	13	23
E0007203034	30	41
	31	39
E0007203064	30	3
	31	5
E0007203078	13	27
E0007213043	37	28
E0007224009	55	8
	62	31
E0007224013	18	24

Parts No.	Fig. No.	Ref. No.
E0007262005	29	3
E0007300001	21	18
E0007300013	40	49
E0007300019	59	6
E0007300035	21	25
E0007900020	20	6
E0068228700	46	8
E0068620400	53	14
E0068620500	51	28
E0068621300	51	61
E0068621500	53	24
E0083252100	15	11
E0093208300	15	12
	67	10
E0097022400	36	22
E0143283500	15	16
E0163209400	13	51
E0173216600	11	5
E0189311800	55	38
	62	43
E0335120970	13	38
E0337017300	22	29
	55	28
	62	38
E0338630541	53	1 B
E0338630870	51	16
E0338630880	51	36
E0338630910	51	19
E0338630920	51	21
E0338630930	51	37
E0338630960	51	20
E0339375460	69	43
	70	43
E0353205032	67	9
E0357007350	32	37
	34	37
E0359306600	69	42
	70	42
E0359306700	69	44
	70	44
E0359317200	69	40
	70	40
E0363214700	15	17
E0373508010	46	13
E0378601420	51	14
E0378601600	50	7
E0378601610	50	8
E0398610900	53	25
E0416100800	64	11
	65	14

Parts No.	Fig. No.	Ref. No.
E0416100800	66	11
E0416100900	64	12
	65	15
	66	12
E0433503100	46	6
E0433503200	46	7
E0437200100	21	27
E0438000300	38	2
	39	2
E0438101500	40	3
E0438601760	51	26
E0438601770	50	27
E0468604400	53	12
E0468605031	52	8
E0468605032	52	9
E0468605033	52	10
E0543208900	55	35
	62	40
E0562016100	9	4
E0564226830	19	58
E0564226840	19	57
E0568222800	41	57
E0568601200	51	5
E0568621800	52	3
E0568621900	52	4
E0568622200	52	5
E0568622300	52	7
E0568622400	52	6
E0568623300	53	3
E0568623400	53	7
E0568623500	53	8
E0568623600	53	9
E0568626600	50	17
E0568630600	53	6
E0568630800	53	5
E0568630900	53	4
E0568633200	50	15
E0568633300	51	13
E0568634100	50	22
E0568634400	51	23
E0568639330	52	2
E0568639430	53	2
E0568639510	50	2
E0568639512	50	3
E0568639513	50	4
E0568639540	50	13
E0568644300	51	15
E0568648162	51	78
E0568648163	51	79
E0579300035	69	36

Parts No. Index

Parts No.	Fig. No.	Ref. No.
E0579300035	70	36
E0860124500	4	5
E0868605400	68	1
E0868605626	66	1 A
E0868605627	66	1 B
E0870121800	4	1
E0870121900	4	2
E0870138460	5	16
E0870431810	19	12
E0870431820	19	62
E0870604502	64	17
	66	19
E0870604540	64	9
	65	9
E0870604550	64	10
	65	10
E0870604590	65	2
E0870703050	30	42
	31	33
E0870821517	41	37
E0871081002	69	5 A
	70	5 A
E0871083601	69	5
	70	5
E0871083609	69	9
	70	9
E0871083610	69	10
	70	10
E0871083613	69	13
	70	13
E0871083614	43	24
	56	24
E0871083616	69	16
	70	16
E0871083703	69	5 B
	70	5 B
E0871083816	69	16 A
	70	16 A
E0871084008	69	8
	70	8
E0871084011	69	11
	70	11
E0871084012	69	12
	70	12
E0871084014	69	14
	70	14
E0871084015	69	15
	70	15
E0871084017	69	17
	70	17

Parts No.	Fig. No.	Ref. No.
E0871084019	69	19
	70	19
E0871084020	69	20
	70	20
E0871084021	69	21
	70	21
E0871084022	69	22
	70	22
E0871084023	69	23
	70	23
E0871084024	69	24
	70	24
E0871084025	69	25
	70	25
E0871084026	69	26
	70	26
E0871084027	69	27
	70	27
E0871084028	69	28
	70	28
E0871084029	69	29
	70	29
E0871084030	69	30
	70	30
E0871084031	69	31
	70	31
E0871084032	69	32
	70	32
E0871084033	69	33
	70	33
E0871084034	69	34
	70	34
E0871084050	71	11
E0871084133	69	33 A
	70	33 A
E0871084547	69	6
	70	6
E0871084548	69	6 A
	70	6 A
E0871085000	69	1
	70	1
E0871085100	69	3
	70	3
E0871085107	69	7
	70	7
E0871085200	69	2
	70	2
E0871085300	69	4
	70	4
E0871085400	69	4 A

Parts No.	Fig. No.	Ref. No.
E0871085400	70	4 A
E0871085500	69	4 B
	70	4 B
E0871107505	1	5
	2	5
E0871107619	1	36
	2	36
E0871107620	1	37
E0871108603	1	3
	2	3
E0871108606	1	6
	2	6
E0871108614	1	14
	2	14
	64	7
	66	9
E0871108620	1	8
	2	8
E0871108630	1	13
	2	13
E0871108634	1	34
	2	34
E0871108638	1	38
	2	38
E0871150800	7	2
E0871152600	7	1
E0871152700	7	1 A
E0871162600	8	1
E0871220010	11	4
E0871220020	11	1
E0871324120	15	2
E0871324130	15	3
E0871324150	15	4
E0871324170	15	6
E0871325100	15	1
E0871325120	15	5
E0871325130	15	7
E0871325140	15	8
E0871325160	15	9
E0871341560	47	4
E0871351540	46	4
E0871351550	46	1
E0871351560	46	2
E0871351570	46	3
E0871351590	46	9
E0871403010	16	1
E0871411610	20	1
E0871411650	20	5
E0871411740	20	4
E0871411830	20	2

Parts No.	Fig. No.	Ref. No.
E0871423410	23	13
E0871423420	23	19
E0871423430	23	1
E0871423460	23	2
E0871423510	21	13
E0871423610	21	1
E0871423620	21	5
E0871423630	21	10
E0871423640	21	11
E0871433240	19	7
E0871433420	19	56
E0871433435	19	13
E0871433440	19	8
E0871433450	19	55
E0871433470	19	1
E0871433480	19	2
E0871433485	19	6
E0871441620	22	3
E0871441630	22	36
E0871441650	22	39
E0871441660	22	1
E0871441710	22	2
E0871441740	22	37
E0871451000	55	1
E0871451013	55	2 C
	61	1 D
E0871451016	55	26
	61	29
E0871451017	55	27
E0871451050	55	30
	62	30
E0871451070	55	3
E0871451083	55	2 D
E0871451085	55	2 E
E0871451090	55	4
E0871451091	55	4 A
E0871451094	55	4 C
	62	3 C
E0871451096	55	4 B
	62	3 B
E0871451100	55	36
E0871451130	55	7 A
E0871451140	56	1
E0871451150	56	1 A
E0871451160	55	7
E0871451161	55	7 B
E0871451510	57	12
E0871451600	55	2
E0871451601	55	2 B
E0871451602	55	2 G

Parts No. Index

Parts No.	Fig. No.	Ref. No.
E0871451700	55	2 A
E0871451800	55	29
E0871460535	58	1
E0871460540	58	2
E0871460550	58	3
E0871460565	58	4
E0871460703	60	3
E0871460704	60	4
E0871460760	60	1
E0871460780	60	5
E0871460830	62	3 A
E0871460840	55	5
	62	4
E0871460841	55	5 A
	62	4 A
E0871460845	55	5 B
	62	4 B
E0871460850	55	6
	62	5
E0871460860	61	8
E0871460865	61	9
E0871460870	61	10
E0871460910	59	1
E0871460920	59	2
E0871460930	59	3
E0871460940	59	4
E0871460950	59	5
E0871460960	59	12
E0871461000	61	1
E0871461010	61	1 A
E0871461020	61	1 B
E0871461021	61	1 C
E0871461030	62	24
E0871461035	62	25
E0871461040	61	26
E0871461050	62	3
E0871461060	62	28
E0871461070	61	46
E0871461080	62	2
E0871461110	63	1
E0871461120	63	2
E0871470410	94	6
E0871470420	94	7
E0871490210	25	10
E0871500531	30	12
	31	14
E0871500875	30	35
	31	34
E0871513010	13	1
E0871513020	13	2

Parts No.	Fig. No.	Ref. No.
E0871513030	13	3
E0871513050	13	5
E0871513060	13	6
E0871513070	13	7
E0871513080	13	8
E0871513090	13	9
E0871513110	13	11
E0871513120	13	12
E0871513130	13	13
E0871513140	13	14
E0871513150	13	50
E0871514040	13	4
E0871514100	13	10
E0871520760	37	3
E0871601580	64	5
	66	7
E0871601590	64	6
	66	8
E0871604510	66	2
E0871604530	66	3
E0871604840	64	2
	66	4
E0871604850	64	3
	66	5
E0871604860	64	4
	66	6
E0871604900	66	1
E0871605008	64	8
E0871605100	64	1
E0871620520	67	1
E0871620550	67	2
E0871690000	66	2 A
E0871706060	35	8
E0871706250	35	27
E0871706260	34	28
E0871706270	35	29
E0871706280	35	30
E0871706290	35	31
E0871706300	35	32
E0871706310	34	10
E0871706320	34	11
E0871707510	33	1
	35	1
E0871707520	33	2
	35	2
E0871707530	33	3
	35	3
E0871707540	33	4
	35	4
E0871707550	32	5

Parts No.	Fig. No.	Ref. No.
E0871707550	34	5
E0871707560	32	6
	34	6
E0871707570	33	7
	35	7
E0871707580	33	8
E0871707590	33	9
E0871707600	32	10
E0871707620	32	12
	34	12
E0871707630	32	13
	34	13
E0871707640	32	14
	34	14
E0871707650	33	15
	35	15
E0871707660	33	16
	35	16
E0871707670	32	17
	34	17
E0871707680	32	18
	34	18
E0871707690	32	19
	34	19
E0871707700	32	20
	34	20
E0871707710	32	21
	34	21
E0871707720	32	22
	34	22
E0871707730	32	23
	34	23
E0871707740	32	24
	34	24
E0871707750	32	25
	34	25
E0871707770	33	27
E0871707780	32	28
E0871707790	33	29
E0871707800	33	30
E0871707810	33	31
E0871707820	33	32
E0871707860	32	36
	34	36
E0871712510	14	1
E0871712520	14	2
E0871712530	14	3
E0871712540	14	4
E0871712550	14	5
E0871712560	14	6

Parts No.	Fig. No.	Ref. No.
E0871712570	14	7
E0871712580	14	8
E0871712590	14	9
E0871712600	14	10
E0871712610	14	14
E0871720010	36	1
E0871720020	36	2
E0871720030	36	3
E0871720040	36	4
E0871720050	36	5
E0871720060	36	6
E0871720070	36	7
E0871720160	36	16
E0871720170	36	17
E0871720200	36	20
E0871802100	38	1
	39	1
E0871812055	40	55
E0871812100	40	1
E0871822110	42	16
E0871824208	43	8
	56	8
E0871824241	43	21
	56	21
E0871824324	42	14
E0871824410	41	14
E0871824423	41	24
	42	32
E0871825104	43	4
	56	4
E0871825105	43	5
	56	5
E0871825116	43	16
	56	16
E0871825520	42	42
E0871826090	42	36
E0871826100	41	4
	43	1
E0871826103	43	3
	56	3
E0871826106	43	6
	56	6
E0871826107	43	7
	56	7
E0871826109	56	9
E0871826110	43	10
	56	10
E0871826112	43	12
	56	12
E0871826113	43	13

Parts No. Index

Parts No.	Fig. No.	Ref. No.
E0871826113	56	13
E0871826114	43	14
	56	14
E0871826115	43	9
E0871826122	43	22
	56	22
E0871826140	43	1 A
E0871826400	41	13
E0871827700	42	67
E0871827710	42	68
E0871828100	42	1
E0871828120	42	2
E0871828200	42	24
E0871828210	42	25
E0871844300	54	2
E0871844400	54	3
E0871844700	54	1
E0871861650	41	23
	42	10
		31
	53	15
E0871866500	49	1
E0871866610	51	4
	53	10
E0871866611	53	11
E0871866650	50	18
E0871866670	50	12 A
E0871866800	52	1
E0871866810	52	1 A
E0871866830	52	15
E0871866840	52	16
E0871866900	53	1
E0871866950	53	1 A
E0871867000	49	2
E0871891100	27	10
E0871921000	71	1
E0872106340	1	12
	2	12
E0872107070	1	41
	2	41
E0872108110	1	40
	2	40
E0872123600	4	1 A
E0872123800	4	3
E0872123900	4	4
E0872153630	7	3
E0872433150	21	16
	22	30
	23	8
E0872433300	19	24

Parts No.	Fig. No.	Ref. No.
E0872433350	19	24 B
E0872453510	57	1
E0872464050	61	48
E0872472210	94	1
E0872494020	25	2
E0872494030	25	3
E0872605070	66	10
E0872622600	67	3
E0872622650	67	4
E0872622660	67	5
E0872704110	36	23
E0872822550	41	35
E0872822800	41	15
E0872823009	41	36
E0872823850	41	17
E0872824000	42	40
E0872862406	51	84
E0872871090	45	13
E0874030340	69	35
	70	35
E0874100009	1	9
	2	9
E0874100040	1	39
E0874100400	1	33
	2	33
E0874100401	1	33 A
	2	33 A
E0874100402	1	33 B
	2	33 B
E0874100403	1	33 C
	2	33 C
E0874100404	1	33 D
	2	33 D
E0874100405	1	33 E
	2	33 E
E0874100406	1	33 F
	2	33 F
E0874100407	1	33 G
	2	33 G
E0874100420	1	35
	2	35
E0874101004	1	4
	2	4
E0874101016	1	15
	2	15
E0874102010	1	11
	2	11
E0874102011	1	11 A
	2	11 A
E0874102012	1	11 B

Parts No.	Fig. No.	Ref. No.
E0874102012	2	11 B
E0874102020	1	10
	2	10
E0874130010	5	15
E0874130100	5	1
E0874130110	5	1 A
E0874130120	5	2
E0874130130	5	3
E0874130140	5	4
E0874130150	5	5
E0874130160	5	6
E0874130170	5	7
E0874130180	5	8
E0874130200	5	9
E0874140100	6	1
E0874140110	6	1 A
E0874140130	6	3
E0874140140	6	4
E0874210010	10	1
E0874220008	11	6
E0874220009	11	7
E0874240010	29	1
E0874350004	46	5
E0874400200	16	2
E0874400300	16	3
E0874401250	16	18
E0874403100	18	4
E0874403120	18	5
E0874403130	18	7
E0874403140	18	6
E0874403150	18	13
E0874403160	18	14
E0874403161	18	14 A
E0874403170	18	15
E0874403171	18	15 A
E0874403180	18	12
E0874403181	18	12 A
E0874403190	18	11
E0874403200	18	8
E0874403210	18	8 A
E0874403220	18	62
E0874403230	17	59
E0874403240	17	60
E0874403250	16	92
E0874403260	18	96
E0874410060	20	3
E0874420140	23	20
E0874440210	22	41
E0874490220	25	1
E0874502111	30	40

Parts No.	Fig. No.	Ref. No.
E0874502111	31	39 A
E0874502112	30	52 A
	31	60
E0874502113	30	50 A
	31	58
E0874600003	65	3
E0874600004	65	4
E0874600007	64	18
	65	7
	66	20
E0874600008	65	8
E0874600050	65	5
E0874600400	65	1
E0874701510	32	33
	34	33
E0874701520	32	35
	34	35
E0874720100	36	10
E0874720110	36	11
E0874720120	36	12
E0874720130	36	13
E0874720140	36	14
E0874720150	36	15
E0874720180	36	18
E0874720190	36	19
E0874810054	40	54
E0874820202	43	2
	56	2
E0874820550	42	21
E0874820551	42	22
E0874820552	42	23
E0874820700	41	9
E0874820720	41	10
E0874820721	41	11
E0874820722	41	12
E0874820770	41	34
E0874820802	42	3
		69
E0874820910	41	55
E0874820920	41	56
E0874821070	42	38
E0874822100	42	15
E0874822101	42	17
E0874822102	42	18
E0874822103	42	19
E0874822104	42	20
E0874822300	41	5
E0874822310	41	6
E0874822311	41	7
E0874822312	41	8

Parts No. Index

Parts No.	Fig. No.	Ref. No.
E0874822600	42	46
E0874822610	42	47
E0874822611	42	48
E0874822612	42	49
E0874822720	42	37
E0874822721	42	39
E0874822730	42	41
E0874822731	42	43
E0874822740	41	28
E0874822750	41	29
E0874822760	41	31
E0874822770	41	32
E0874822900	41	1
E0874822920	41	2
E0874850010	44	1
E0874850510	44	2
E0874860120	50	1
E0874860130	50	14
E0874871100	45	1
E0874871110	45	2
E0874871120	45	3
E0881140320	6	2
E0881140350	6	5
E0881140360	6	6
E0881400210	16	22
E0881520200	37	2
E0881520201	37	2 A
E0881520202	37	2 B
E0881521450	37	1
E100040820	20	21
E1100040510	20	10
E1100040512	42	28
E1100040514	42	7
E1100040610	55	19
	62	12
E1100040612	22	38
		43
	41	18
		39
	42	51
E1100040614	30	13
	31	15
E1100040616	15	26
		26 A
	18	34
	19	40
	23	14
	40	44
	55	18
	60	12

Parts No.	Fig. No.	Ref. No.
E1100040616	61	11
	62	11
E1100040620	22	15
	43	25
	56	25
	66	24
E1100040812	25	6
E1100040814	1	18
	2	18
E1100040816	17	35
	18	35
	19	42
	22	16
	28	3
	40	28
	41	40
	54	10
	55	17
	59	9
	60	13
	61	13
	62	13
E1100040820	1	11 C
	2	11 C
	13	33
	15	29
	16	36
	17	36
	18	36
	21	20
	23	6
	30	43
	31	40
	36	24
	41	41
	42	52
	47	2
	57	13
E1100040825	20	12
	23	21
	51	56
	84	7
E1100040830	16	37
	30	44
	31	41
E1100040835	30	56
	31	61
E1100040860	30	45
	31	42
E1100040865	30	46

Parts No.	Fig. No.	Ref. No.
E1100040865	31	53
	40	29
E1100040870	11	8
E1100040895	30	47
	31	51
E1100041014	4	12
	30	48
	31	43
E1100041016	21	19
	38	5
	39	3
	42	56
	55	39
	59	17
	61	21
E1100041020	1	20
	2	20
	13	35
	14	15
	16	38
	20	11
	22	17
	30	49
	40	30 A
	41	42
	42	53
	50	54
	55	16
	59	11
	61	14
	63	4
	65	25
E1100041025	1	21
	2	21
	13	36
	16	39
	18	39
	30	50
	31	45
	40	30
	41	43
	42	54
	44	4
	45	7
	59	10
	60	15
E1100041030	1	43
	2	2
	6	12
	13	37

Parts No.	Fig. No.	Ref. No.
E1100041030	16	40
	17	40
	18	40
	37	18
	40	31
	54	11
	86	14
E1100041035	13	54
	31	44
	41	44
	59	18
E1100041060	64	22
	66	26
E1100041065	65	26
E1100041085	65	27
E1100041090	64	23
	66	27
E1100041220	63	5
	64	32
	65	34
E1100041225	1	22
	2	22
	16	41
	64	21
	65	28
	66	25
E1100041230	38	6
	39	4
	49	3
E1100041235	59	19
E1100041245	6	15
	54	12
E1100041430	1	23
	2	23
E1100041435	1	23 A
	2	23 A
E1100041440	7	4
E1100041635	8	3
E1100042245	64	25
	66	29
E1100050630	92	45
E1100090612	51	90
E1100090820	50	55
	51	87
	94	18
E1100091020	50	62
E1100141005	64	20
	66	28
E1100141016	18	42
E1100141630	16	43

Parts No. Index

Parts No.	Fig. No.	Ref. No.
E1100240625	15	27
E1100240635	15	28
E1100241025	67	14
E1100290616	53	28
E1100290820	52	25
E1100560612	43	27
	56	27
E1101041240	5	19
E1101041440	10	2
E1101041650	12	1
E1101041670	4	14
E1101041685	9	5
E1102240632	37	25
E1102720838	37	19
E1106041635	6	13
E1110020512	77	13
	78	5
	79	13
E1110020518	78	8
E1110020616	94	9
E1110020825	90	44
E1110020830	80	11
E1110021255	80	26
E1110040510	20	9
E1110040512	82	5
	83	9
E1110040520	15	40
E1110040820	13	39
E1110040830	41	54
E1110041025	13	40
E1110041030	90	79
E1110041440	90	74
E1110050620	92	23
E1110050630	92	24
E1110050660	92	42
E1110050820	85	7
E1110051230	91	49
		66
E1110051650	37	2 C
E1110090516	52	26
E1111041025	37	22
E1120530305	19	59
E1120530310	19	37
E1120530314	23	4
E1120530406	94	23
E1120530408	52	28
E1120530412	19	38
E1120530416	13	41
E1120530512	40	27
E1120530516	19	39

Parts No.	Fig. No.	Ref. No.
E1120530520	51	58
E1120530530	66	23
E1120530608	53	31
E1120530612	53	29
E1120530616	51	76
	53	30
E1120530620	51	85
E1120590408	51	59
	52	29
E1120590510	77	12
	79	12
E1120590512	27	9
	51	57
	57	7
	94	25
E1120590516	94	10
E1120630514	42	6
E1120690412	51	60
E1120730420	94	21
E1120790516	53	32
E1120800830	51	89
E1120990820	13	42
E1121040808	13	52
E1121050606	80	36
E1121050607	89	22
E1121050608	88	21
E1121240810	5	14
E1122410412	50	12
E1122410416	51	73
E1122420410	50	6 A
E1130020008	41	25
	42	11
		33
E1130040005	19	43 A
	41	53
	42	65
E1130040006	15	30
	19	43
	43	26
	56	26
E1130040008	13	31
	16	45
	18	45
	20	13
	22	18
	23	22
	42	66
	44	8
	55	31
	60	16

Parts No.	Fig. No.	Ref. No.
E1130040008	61	47
	84	8
E1130040010	13	32
	16	46
	17	46
	20	16
	21	21
	22	19
	53	38
	55	32
	62	45
	64	29
	65	32
	66	36
E1130040016	46	10
E1130040020	68	2
E1130090010	50	63
	52	39
E1130140010	15	31
E1130540012	45	8
	67	16
E1130540014	20	17
E1130640020	67	15
E1131242006	53	39
E1131242008	52	38
	54	18
E1140010005	66	33
E1140010006	66	34
E1140010010	86	16
E1140020003	19	44
		60
		23
		5
E1140020004	19	45
	52	33
	94	24
E1140020005	19	47
	40	32
	42	8
		30
	51	65
E1140020006	18	52
	19	46
	22	20
	23	15
	30	14
	31	16
	41	20
		46
	42	57
	51	67

Parts No.	Fig. No.	Ref. No.
E1140020006	53	34
	55	22
	60	17
	61	15
	62	15
	66	30
E1140020008	1	11 D
		24
	2	11 D
		24
		9
	11	9
	13	43
	15	32
	16	53
	17	53
	18	53
	19	48
	20	22
	21	22
	22	21
	23	7
	25	7
	28	4
	30	51
	31	46
	36	25
	40	33
	41	47
	42	58
	47	3
	54	13
	55	21
	57	14
	59	14
	60	18
	61	16
	62	16
E1140020010	1	25
	2	25
	6	14
	13	44
	14	16
	16	54
	17	54
	18	54
	20	14
	21	23
	22	22
	30	52
	31	47

Parts No. Index

Parts No.	Fig. No.	Ref. No.
E1140020010	37	20
	38	7
	39	5
	40	34
	41	27
		48
	42	13
		35
		59
		60
	44	5
	45	10
	54	14
	55	20
	59	16
	60	19
	61	17
	62	17
	63	6
	65	29
67	17	
E1140020012	1	26
	2	26
	5	20
	6	16
	16	55
	38	8
	39	6
	45	9
	49	4
	54	15
	59	20
	63	7
	64	26
	65	30
66	31	
E1140020014	1	27
	2	27
	7	5
	10	3
E1140020016	4	15
	16	56
E1140090004	46	11
	51	66
E1140090004	52	34
	57	8
E1140090005	94	12
	94	12
E1140090006	53	33
	94	11
E1140090008	13	45

Parts No.	Fig. No.	Ref. No.
E1140090008	52	31
	94	19
E1140090010	50	64
E1140330006	23	16
	40	46
	51	77
	25	9
E1140330008	25	9
E1140330010	16	32
	21	24
	22	23
	51	72
	55	40
	61	27
	37	24
	19	49
E1140490010	37	24
E1141110004	19	49
E1141110005	42	9
		29
E1141110006	13	47
	18	47
	19	50 A
	22	24
	30	15
	31	17
	40	45
	41	21
		49
	43	19
51	86	
53	36	
55	25	
56	19	
60	20	
61	18	
62	18	
67	20	
E1141110008	1	11 E
		28
	2	11 E
		28
	15	39
	16	48
	18	48
	19	50
	22	25
	23	12
	28	5
	30	53
	31	48
	41	50
	42	61

Parts No.	Fig. No.	Ref. No.
E1141110008	44	6
	51	71
	54	16
	55	24
	57	15
	59	15
	60	21
	61	19
	62	19
E1141110010	1	29
	2	29
	14	17
	16	49
	18	49
	22	26
	30	54
	31	49
	38	9
	39	7
	40	35
	41	26
		51
	42	12
	34	
	62	
	63	
	44	7
	55	23
	60	22
	61	20
	62	20
	63	8
	64	28
	65	31
	66	35
E1141110012	1	30
	2	30
	49	5
	54	17
	63	9
	64	33
	65	35
E1141110016	46	12
	67	19
E1141110020	67	18
E1141110022	64	27
	66	32
E1141190004	51	69
E1141190005	51	74
	94	14

Parts No.	Fig. No.	Ref. No.
E1141190006	51	91
	91	54
	94	13
E1141190008	13	48
	51	88
	52	36
	94	20
E1141190010	50	68
E1141450008	37	21
E1141550010	1	31
	2	31
	50	92
E1141550012	5	21
	38	10
	39	8
E1141550014	1	32
	2	32
	20	18
E1141550016	8	5
	9	6
	12	2
	27	6
E1150110614	41	19
E1150410508	67	22
E1210010563	91	46
E1212000412	90	83
E1212000414	15	23
E1213000325	37	2 D
E1213000510	15	24
E1213000520	15	25
E1213000525	13	20
E1213000836	6	11
E1213001026	13	18
E1214000006	15	20
		20 A
E1214000012	67	21
E1220000012	13	49
E1220000030	4	10
E1220000035	64	16
	65	19
	66	16
E1220000042	91	12
E1220000055	85	6
E1221000037	91	36
E1221000060	88	17
E1221000062	4	8
E1221000065	4	9
E1221000072	86	13
E1224010004	41	22
E1224010006	15	34

Parts No. Index

Parts No.	Fig. No.	Ref. No.
E1224010006	20	7
	41	45
	42	55
E1224010008	42	50
E1224100008	55	34
	62	39
E1225000006	15	21
		21 A
E1225120014	20	19
E1300006206	4	7
E1305000004	5	10
E1305000005	6	7
E1332002022	13	21
E1333001010	80	33
E1333001515	15	3 A
E1333002020	67	3 A
E1333002025	15	1 A
E1333003525	89	17
E1333004530	88	15
E1340010060	15	22
		22 A
E1340600200	67	12
E1390020030	80	25
E1390020250	88	20
	89	21
E1390020500	80	14
E1410706316	89	19
E1420000070	84	9
E1420000120	77	10
	78	2
	79	10
E1420000160	82	6
	83	10
E1420000240	45	12
E1420000950	30	26
	31	28
E1420010070	80	10
E1420010100	81	6
		8
	91	58
E1420010110	13	53
	30	55
	31	50
	82	7
	83	11
	90	81
E1420010120	91	59
E1420010140	80	9
	84	10
E1420010160	81	9

Parts No.	Fig. No.	Ref. No.
E1420010180	30	5
	31	7
E1420010200	83	12
E1420010240	91	57
E1420010290	18	23
		96 A
E1420100400	6	9
	37	12
E1420100550	76	2
	77	9
	78	9
	79	9
E1420100600	4	11
E1420101250	38	13
	39	11
E1420110950	86	12
E1420310910	92	35
		38
E1420360152	37	13
E1420360322	5	12
E1420370906	37	15
E1420500220	78	6
E1421020120	91	60
E1421030120	78	3
E1421030950	30	27
	31	29
E1431203562	4	6
E1432200040	1	2
	5	9 B
	11	3
E1432200045	88	9
E1432500640	5	11
E1432500800	6	8
E1501300003	40	26
E1501700003	38	21
	39	21
E1501710002	10	4
E1501710010	9	7
E1501750002	10	5
	37	31
E1501750004	38	11
E1501750006	37	23
E1501750010	38	14
	39	12
E1501810001	6	10
E1501810002	5	13
	84	11
	86	15
E1509001006	39	9
E1511050002	10	6

Parts No.	Fig. No.	Ref. No.
E1511050006	39	10
E1511150610	30	34
	31	57
E1512330003	37	29
E1512330004	37	34
E1512340004	39	19
E1512350002	37	7
E1512350003	37	8
E1512370007	10	8
	65	23
E1512370008	13	28
E1512370010	8	7
	30	36
	31	35
E1512370032	37	10
E1512373007	30	16
	31	18
E1512373012	38	15
	39	13
E1513390027	31	1
E1513390029	30	17
	31	19
E1513400021	29	2
E1513400022	64	13
	65	16
	66	13
E1515010041	10	10
	30	1
		8
	31	2
		10
	33	40
	65	21
E1515010043	8	10
E1515010050	10	11
E1515010053	30	21
	31	23
E1515010130	13	29
E1515010131	10	12
E1515012040	8	8
	10	9
	12	3
	30	7
		18
		37
	31	9
		20
		36
E1515012510	30	19
	31	21

Parts No.	Fig. No.	Ref. No.
E1515100110	30	6
	31	8
E1515100111	30	2
	31	4
E1515100136	13	30
E1515200063	37	6
E1515200067	37	9
E1515200108	37	5
E1515600200	12	4
	30	9
		29
		38
	31	3
		11
		31
		37
	39	20
E1515600201	10	13
	12	5
	30	10
	31	12
	65	22
E1515600203	8	9
E1515600576	12	6
E1515600579	30	22
	31	24
E1521500003	40	6
E1530538114	32	34
	34	34
E1531010004	19	11
E1531010025	40	9
E1531110025	61	7
E1531115060	17	81
E1531207006	40	16
E1531207034	40	14
E1531207160	40	15
E1531207170	40	11
E1531325010	40	48
E1531325030	14	18
E1531325040	32	39
	34	39
E1531325050	22	40
E1531335020	32	42
	34	42
E1531335050	32	41
	34	41
E1531345020	61	49
E1531345030	55	15
E1531345040	62	37
E1531345050	62	36

Parts No. Index

Parts No.	Fig. No.	Ref. No.
E1531345100	55	13
	62	35
E1531360015	36	26
E1531360050	14	13
E1531407040	17	95
E1531407070	17	80
E1531407100	17	30
E1531407126	17	29
E1532218032	58	8
E1532218126	58	5
E1532218132	58	6
E1532218165	58	7
E1532224015	20	24
E1532224030	32	23 A
	34	23 A
E1532224100	32	35 A
	34	35 A
E1533001014	61	6
E1533120011	17	31
	40	24
E1533201012	44	3
E1533700013	32	43
	34	43
E1533700016	14	11
E1533700017	40	23
E1533700019	32	44
	34	44
E1533700035	32	45
	34	45
E1533700054	32	46
	34	46
E1533700060	32	47
	34	47
E1533700070	57	11
E1533700113	16	93
E1540141010	38	16
	39	14
E1541400510	4	13
E1550210340	38	17
	39	15
E1551000300	30	31
	31	54
E1551000310	30	32
	31	55
E1551000320	30	33
	31	56
E1551102800	30	23
	31	25
E1551102801	30	24
	31	26

Parts No.	Fig. No.	Ref. No.
E1551102802	30	25
	31	27
E1551102805	30	28
	31	30
E1552000800	38	18
	39	16
E1552000830	38	19
	39	16 A
E1552002012	40	5
E1552100900	40	4
E1553020612	38	20
	39	17
E1553200600	40	2
E1560001000	5	17
	29	4
	64	14
	65	17
	66	14
E1560001675	1	17
	64	15
	65	18
	66	15
E1560011006	45	11
	67	11
E1567325000	57	5
E1567415050	57	4
E1567415095	57	3
E1621002041	59	8
E1630785210	15	18
		18 A
E1650132050	20	8
E1650153655	15	35
E1650202300	13	19
	15	36
E1650204100	13	16
E1650204200	13	15
E1651014003	18	90
E1651030005	16	26
E1651101028	52	23
E1651101042	50	35
E1652000602	51	81
E1652001002	27	5
	51	82
	52	14
E1652001401	19	51
E1652001602	51	80
E1652022506	30	57
	31	52
E1652041515	94	8
E1652042515	51	75

Parts No.	Fig. No.	Ref. No.
E1652051200	51	53
E1652051600	51	29
E1652052000	15	38
E1652052600	19	52
E1652053200	15	37
	53	26
E1652060022	19	51 A
E1652060031	51	51
E1652060063	19	18
	46	20
E1652102320	51	39
E1652103225	66	17
E1652200003	19	61
E1652201003	94	17
E1652201004	22	32
E1652201007	14	12
	36	28
E1652221050	27	8
	51	70
	94	22
E1652231100	23	10
E1652231140	21	26
	22	31
	23	11
E1652231250	17	98
	20	20
	21	17
	55	14
	61	41
	62	41
E1652241150	20	25
E1652241300	25	8
E1652261410	57	6
E1652443640	19	30
E1652515100	42	45
E1652533010	46	14
E1652533019	19	31
E1652533023	1	7
	2	7
E1652711432	53	23
E1652711696	19	34
E1653692887	42	5
E1653900016	41	16
	42	27
E1653900057	13	22
E1653916007	51	46
E1653916015	55	37
E1653916020	50	52
E1653916021	57	9
E1653916028	62	42

Parts No.	Fig. No.	Ref. No.
E1653916032	42	26
E1653930375	50	49
E1654000820	42	4
E1654004800	51	33
E1654004900	51	48
E1654005000	50	34
E1654005100	51	40
E1654005400	52	20
	54	6
E1654005500	53	17
E1654005600	53	13
E1654005700	53	19
E1654005800	53	18
E1654005900	53	16
E1654006000	52	24
	54	7
E1654008200	50	6
E1654008300	50	5
E1654010500	51	30
E1654010600	51	83
E1654010900	50	9
E1654011000	50	11
E1654011100	50	10
E1654231225	50	43
E1654231320	50	42
E1654303018	55	2 F
E1654306017	55	33
E1654306028	55	42
E1654308021	46	21
E1654308027	46	22
E1654308120	46	15
E1654313053	39	24
E1654315100	49	6
E1654355052	18	8 C
E1654357055	18	21
E1654358057	18	8 B
		20
E1654520015	18	12 B
E1654520028	18	12 C
E1654520030	41	33
E1654520040	41	3
E1654520045	42	70
E1654520065	41	30
E1654520078	41	38
	43	20
	56	20
E1654520086	18	15 B
E1654520097	42	71
E1654520202	50	41
E1654601012	18	14 C

Parts No. Index

Parts No.	Fig. No.	Ref. No.
E1654601016	18	14 B
E1654605033	50	50
E1654605341	50	45
E1654605440	50	44
E1654606018	42	72
E1654613035	25	5
E1654613062	19	54
E1654615085	52	22
E1654615160	53	22
E1654615235	50	47
E1654615280	53	21
E1654616080	52	21
E1656500010	45	5
E1690001012	71	2
E1690001417	71	3
E1690001922	71	4
E1690002427	71	5
E1690100013	71	6
E1690220205	71	7
E1691000800	71	8
E1691400003	71	9
E1700000015	51	32
E1700000027	19	35
E1700000030	19	15
E1700000031	19	14
E1700000032	19	16
E1700000033	13	24
E1700001211	19	3
E1700009010	23	3
E1700100015	37	30
E1700100029	19	19
E1700100030	19	20
E1700100038	22	14
E1700100041	13	46
E1700100053	19	21
E1700100054	19	22
E1700550024	19	53
E1700550025	23	18
E1701310010	21	7
E1701310020	21	8
E1701310030	21	9
E1701330045	21	3
E1701330075	21	4
E1702027523	22	4
E1702108210	22	8
E1702230020	22	7
E1702330000	22	12
E1702402001	16	28
E1702530220	22	5
E1702630030	22	6

Parts No.	Fig. No.	Ref. No.
E1702910016	22	42
E1702920060	22	9
E1703001120	26	1
E1703001122	26	2
E1703004100	51	31
E1703004101	51	31 A
E1703004800	25	4
E1703004806	25	4 A
E1703005400	24	1
E1703005405	24	2
E1703210760	94	26
E1703211015	94	27
E1703211320	22	34
E1703221392	22	33
E1703500624	21	15
E1703700004	28	2
E1703700009	19	29
E1704078924	52	17
E1704100530	52	18
E1704200530	52	19
E1705002150	94	5
E1705003460	51	93
E1711900032	19	23
E1711900039	19	36
E1711900049	19	17
	23	17
E1711900064	22	27
E1711900072	22	28
E1711910040	27	3
E1711910061	27	1
E1711910062	27	2
E1711910063	27	4
E1730000500	19	24 A
E1730100030	19	25
E1730110050	19	26
E1730140750	19	4
E1730500008	21	2
		6
		14
E1730500021	19	27
E1730500022	19	28
E1900013508	88	16
E1900018502	88	11
E1900018520	88	13
E1900047232	88	19
E1900051803	89	16
E1900054106	88	18
E1900054903	88	14
E1900082900	65	20
	88	1

Parts No.	Fig. No.	Ref. No.
E1900082997	88	12
E1900082998	88	10
E1900082999	88	2
E1900084300	64	19
	66	21
	87	1
E1900084303	87	15
E1900084305	87	16
E1900084306	87	19
E1900084309	87	21
E1900084320	87	10
		13
E1900084326	87	20
E1900084328	87	18
E1900084329	87	17
E1900084340	87	11
		14
E1900084397	87	12
E1900084398	87	9
E1900084399	87	2
E1900085900	7	7
	89	1
E1900085901	89	15
E1900085906	89	18
E1900085907	89	13
E1900085955	89	20
E1900085999	89	3
E1900086000	7	8
	89	2
E1900086007	89	14
E1901004357	81	3
E1901027757	77	8
	79	8
E1901027758	79	4
E1901027761	77	5
	79	5
E1901027768	77	7
	79	7
E1901027771	77	11
	79	11
E1901027772	77	6
	79	6
E1901027792	77	3
	79	3
E1901031790	77	2
	79	2
E1901033204	75	6
E1901034907	74	2
	75	2
E1901035426	81	2

Parts No.	Fig. No.	Ref. No.
E1901035471	81	4
E1901035667	78	7
E1901036678	78	10
E1901038852	78	4
E1901041100	30	4
	75	1
E1901041101	74	4
	75	4
	76	1
E1901041107	75	3
E1901041110	74	5
	75	5
	77	1
E1901041123	74	9
	75	7
E1901041124	74	10
	75	8
E1901041200	31	6
	74	1
E1901041202	74	6
	78	1
E1901041204	74	8
E1901041207	74	3
E1901041214	74	7
	79	1
E1901041256	77	4
E1901041278	78	11
E1901710915	80	19
E1901710917	80	20
E1901725211	80	28
E1901725215	80	34
E1901725216	80	35
E1901725218	80	37
E1901725520	80	39
E1901728403	85	5
E1901728701	83	3
E1901729200	13	26
	85	1
E1901729201	85	3
E1901729202	85	4
E1901729299	85	2
E1901729601	83	2
E1901733502	80	6
E1901733504	80	8
E1901733509	80	12
E1901733510	80	13
E1901733512	80	15
E1901733513	80	16
E1901733514	80	17
E1901733517	80	18

Parts No. Index

Parts No.	Fig. No.	Ref. No.
E1901733520	80	21
E1901733521	80	22
E1901733522	80	23
E1901733531	80	31
E1901733532	80	32
E1901733599	80	2
E1901734404	82	2
	83	5
E1901738303	83	4
E1901738312	82	4
	83	8
E1901738800	13	25
	80	1
E1901738811	80	27
E1901738824	80	24
E1901738832	80	29
E1901738835	80	30
E1901738851	80	7
E1901738872	80	38
E1901738900	30	11
	31	13
	83	1
E1901738907	82	3
	83	6
E1901738910	83	7
E1901738918	83	13
E1901738919	82	8
	83	14
E1901739400	30	30
	31	32
	81	1
E1901739410	81	5
E1901739498	81	7
E1901739600	30	20
	31	22
	82	1
E1901740300	30	39
	31	38
	84	1
E1901740301	84	2
E1901740302	84	3
E1901740303	84	4
E1901740304	84	5
E1901740306	84	6
E1901800053	91	56 A
E1901802417	90	61
E1901802713	91	50
E1901804213	90	27
E1901809200	91	51
E1901810100	90	67

Parts No.	Fig. No.	Ref. No.
E1901810199	90	67 A
E1902006702	92	60
E1902010035	92	65
E1902010037	92	67
E1902016505	92	14
E1902016506	92	16
E1902016520	92	28
E1902016552	92	32
E1902016564	92	64
E1902016567	92	66
E1902017409	92	18
E1902017425	92	43
		48
E1902017449	92	62
E1902017704	92	13
E1902017719	92	44
		49
E1902017724	92	26
		51
E1902017727	92	55
E1902017730	92	58
E1902017731	92	59
E1902018801	92	9
E1902018802	92	10
E1902018803	92	11
E1902018804	92	12
E1902018805	92	15
E1902018806	92	17
E1902018807	92	20
E1902018809	92	22
E1902018814	92	36
E1902018815	92	37
E1902018817	92	39
E1902018818	92	41
E1902018820	92	46
E1902018823	92	52
E1902018824	92	56
E1902018825	92	57
E1902019106	92	21
E1902019107	92	31
E1902019108	92	33
E1902019109	92	34
E1902019215	92	19
		27
		40
		47
		54
E1902019229	92	29
E1902019250	92	50
E1902019251	92	53

Parts No.	Fig. No.	Ref. No.
E1902019271	92	63
E1902019700	37	17
	93	1
E1902019799	93	2
E1902020297	92	68
E1902020298	92	69
E1902020358	92	61
E1902020390	92	25
E1902020400	37	16
	92	1
E1902020498	92	1 A
E1902020736	92	30
E1903106808	91	33
E1903106813	91	38
E1903106843	91	63
E1903106847	90	56
E1903107927	91	45
E1903108655	90	80
	91	65
E1903120698	91	28
E1903123300	8	2
	90	1
E1903123302	90	45
E1903123303	90	46
E1903123305	90	47
E1903123306	90	48
E1903123308	90	49
E1903123309	90	50
E1903123310	90	51
E1903123311	90	52
E1903123312	90	53
E1903123313	90	54
E1903123314	90	55
E1903123322	90	57
E1903123323	90	58
E1903123325	90	59
E1903123326	90	60
E1903123328	90	62
E1903123329	90	63
E1903123334	90	64
E1903123335	90	65
E1903123337	90	66
E1903123340	90	72
E1903123355	90	75
E1903123357	90	76
E1903123358	90	77
E1903123359	90	78
E1903123367	90	82
E1903123395	90	18
E1903123396	90	17

Parts No.	Fig. No.	Ref. No.
E1903123397	90	16
E1903123398	90	15
E1903123399	90	1 A
E1903123500	12	7
	91	1
E1903904502	91	30
E1903904503	91	31
E1903904504	91	32
E1903904507	91	34
E1903904508	91	35
E1903904510	91	37
E1903904511	91	39
E1903904514	91	40
E1903904515	91	41
E1903904518	91	42
E1903904519	91	43
E1903904524	91	47
E1903904525	91	48
E1903904537	90	73
	91	56
E1903904539	91	61
E1903904540	91	62
E1903904921	91	44
E1903906101	91	29
E1903906135	91	55
E1903906199	91	20 A
E1904003621	86	10
E1904003691	86	11
E1904005900	10	14
	86	1
E1904005901	86	8
E1904005911	86	9
E1904006399	86	2
E1910076121	17	79
E1911300030	18	78
E1911500500	55	10
	62	32
E1911501840	55	11
E1911501860	62	33
E1911502300	55	9
	62	44
E1911503000	57	10
E1911503780	59	7
E1911504000	57	2
E1911504400	61	22
E1911504410	60	9
E1911504420	60	10
E1911507651	55	1 A
	62	23
E1911521800	55	12

Parts No. Index

Parts No.	Fig. No.	Ref. No.
E1911521800	62	34
E1912900714	91	10
E1912900720	91	15
E1912904517	91	8
E1912905325	91	19
		64
E1912905415	91	6
E1912905416	91	7
E1912905422	91	16
E1912906003	90	25
E1912906009	91	11
E1912906800	90	19
E1912906803	90	23
E1912906804	90	24
E1912906808	90	28
E1912906809	90	29
E1912906810	90	30
E1912906811	90	31
E1912906812	90	32
E1912906813	90	33
E1912906814	90	34
E1912906815	90	35
E1912906816	90	36
E1912906817	90	37
E1912906818	90	38
E1912906819	90	39
E1912906820	90	40
E1912906821	90	41
E1912906822	90	42
E1912906823	90	43
E1912906898	90	21
E1912906899	90	19 A
E1912907011	91	5
E1912907015	91	9
E1912907019	91	13
E1912907020	91	14
E1912907023	91	17
E1912907025	91	18
E1912907097	91	4
E1912907098	91	3
E1912907099	91	1 B
E1913004658	9	2
E1913004659	9	3
E1913040950	9	1
E1914095110	3	1
E1914100089	47	1
	48	1
E1914101072	48	1 A
E1914102072	48	2
E1914103072	48	3

Parts No.	Fig. No.	Ref. No.
E1914104072	48	4
E1914105072	48	5
E1914106072	48	6
E1914107072	48	7
E1914108089	48	8
E1914109072	48	9
E1914110072	48	10
E1914111072	48	11
E1914112072	48	12
E1914113072	48	13
E1914114072	48	14
E1914115072	48	15
E1914118072	48	16
E1914119072	48	17
E1914120072	48	18
E1914121072	48	19
E1914123072	48	20
TOR-91220001	72	11
	73	11
TOR-91390000	72	1
	73	1
TOR-94800120	72	12
	73	12
TOR-94800490	72	2
	73	2
TOR-94800500	72	10
	73	10
TOR-94800720	72	8
	73	8

Parts No.	Fig. No.	Ref. No.
-----------	----------	----------

Parts No.	Fig. No.	Ref. No.
-----------	----------	----------